

The background features several large, overlapping geometric shapes in shades of pink and dark blue. A large pink circle is the central focus, with a dark blue circle inside it. To the left, a pink curved shape extends from the top edge. To the right, a smaller pink circle is partially visible. At the bottom, another pink curved shape extends from the right edge.

**Roller blinds.
It's what we do.**

**Product
catalogue**



You want affordable quality. So that's what we deliver. Buroshade specialises in durable roller blinds designed to provide the trade with robust performance, value for money and consistent quality you can rely on. All underpinned by our exceptional, three pillar Guarantee.

5 year warranty

For us, quality is non-negotiable. So we are upfront with our industry-leading standards. We guarantee our products with a no-nonsense, no-quibble, 5-year warranty.

No-pain promise

We have a reputation for outstanding customer service. So we won't let you down. It's as simple as that. We are so confident that we commit to cover your costs if we fail.

Unbelievable value

We know you need to be competitive. That is why we are passionate about simple, efficient, production processes that enable us to deliver amazing value. Our blinds are always affordable.

Confidence. We cover your cost, if we fail.

Call: 0333 050 9885 Visit: buroshade.com



Packaged for your on-site efficiency

We understand that your time on site is expensive. Have you ever considered the time it takes to sort and layout blinds on site? At Buroshade we offer to package blinds in your preferred order. Boxed by area, floor, room or block. Ready for maximum efficiency on-site.

Discover the difference.



We deliver what you need.

Buroshade is the blinds manufacturer that makes you smile. We specialise in delivering complete customer satisfaction – providing all the robust products, value for money, consistent quality and service excellence your business needs. We get it right. First time, Every time, On time. It's the simple choice.

Invaluable insights that make a real difference.

We've walked in your shoes and know what you need. Our experience within this industry means we understand the typical frustrations: we've been on the wrong end of delays, damaged shipments, poor product quality and shoddy service.

At Buroshade, we've built the perfect blinds supplier for the trade – one where you can expect our people and products to be:

Caring

We're genuinely invested in your business reputation, as well as our own.

Passionate

Roller blinds is what we do. We love it. And we want you to love what we do, too.

Professional

You can rely on our friendly experts to deliver what you need, when you need it.

Guaranteed

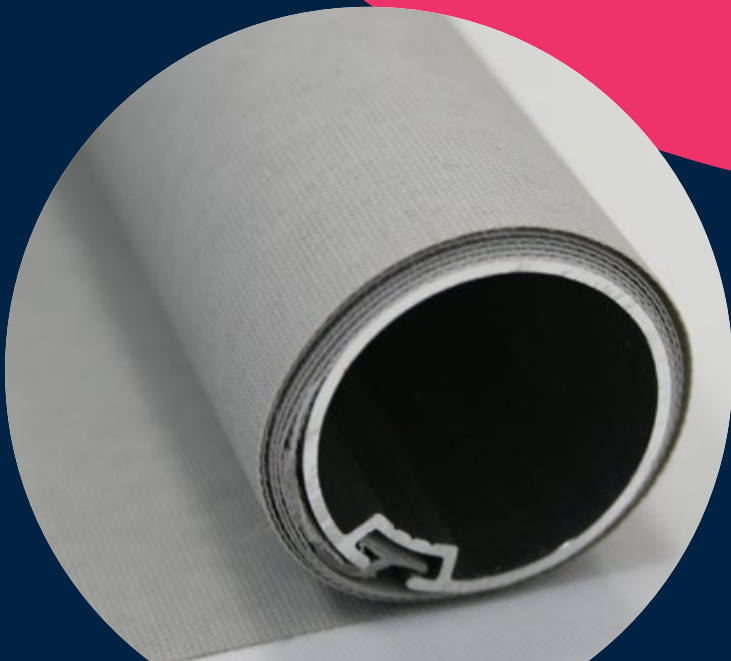
We will always deliver on time – and offer a solid guarantee that you can bank on.

Simple

We purposefully design everything we do to be simple, to make life easier for you.

Quality

We deliver all the accuracy, reliability and durability you need – at an affordable cost.



Product function key



Chain



Fixed Crank



Detachable Crank



240v Hardwired Wall Switch



240v Remote Control



Battery



Side Channels



Side Guide Wires



Z-lock Side Channels



Contents



Roller Blinds 10

R100	12
R300	14
R500	16
R600	18
R700	20



Cassette Roller Blinds 22

SC45	24
C63	26
C83	28
C110	30
C130	32
ZC83	34
ZC110	36
ZC130	38



Horizontal Rooflight Blinds 40

CRX	42
CR83	44
CR110	46
ZR110	48
ZR130	50
TR85	52
TR85 – Shaped	54



External Blinds 56

EX83	58
EX110	60
EX130	62



Fabrics 64

Artisan	66
Artisan+	68
Artisan Black-Out	70
Diffusor	72
Sombra Eco	74
Sombra Tensile	76
Bespoke	78



Roller blinds

Simple, discreet and smart-looking by day or night, our Roller Blinds are always a popular choice and feature an extruded aluminium reinforced roller tube and high-durability components for exceptional longevity, even with heavy use. Just select the most appropriate operating mechanism – from a simple manual chain to fully automated light-sensitive controls or remote control via an app.



R100	12
R300	14
R500	16
R600	18
R700	20

Buro R100

The R100 is the enduring choice for all projects where use is frequent but requirements are basic. The R100 helps you to get the most from your budget. This system is manufactured on a 32mm extruded aluminium tube and is available in manual chain operation only. The R100 comes with a unique geared chain mechanism giving a smooth and clean operation.



Standard

Nylon Chain

Optional

Metal Chain

Warranty

5 year

Max. size

Width 2000mm

Drop 3000mm

Surface 5.5m²

Tube size

32mm

Fabrics

Artisan

Artisan+

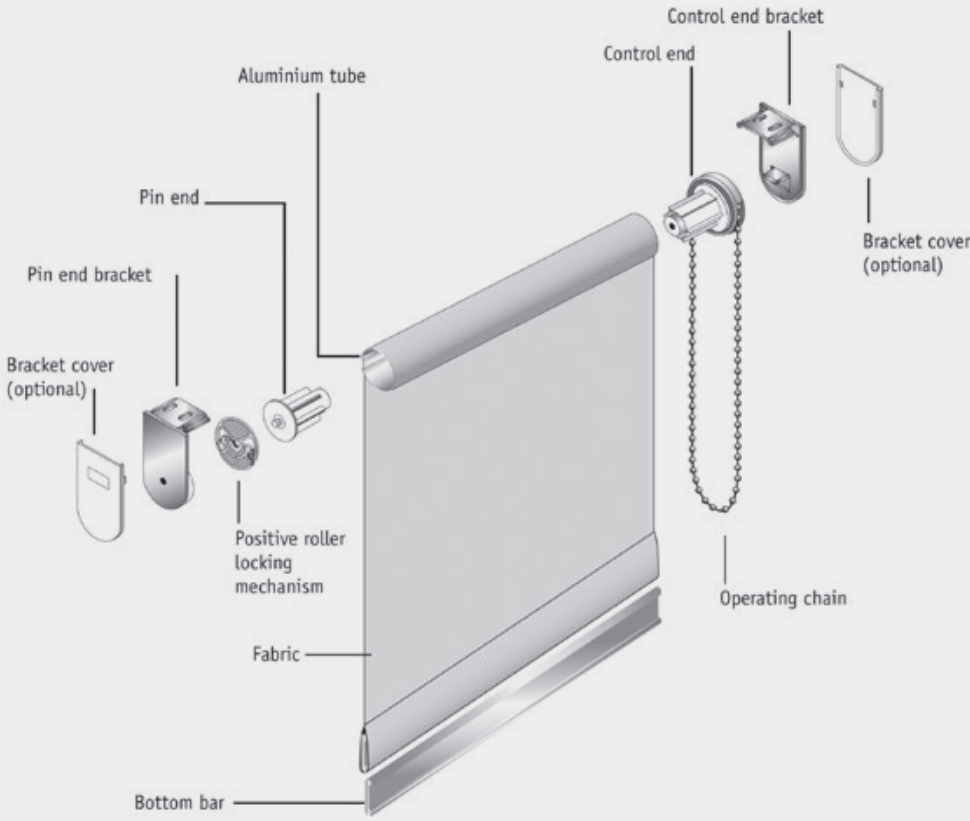
Artisan Black-Out

Sombra Eco

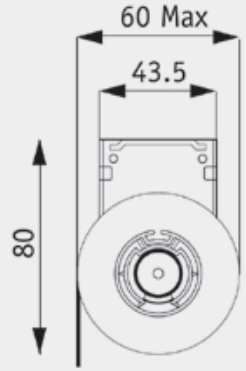
Diffusor

Bespoke

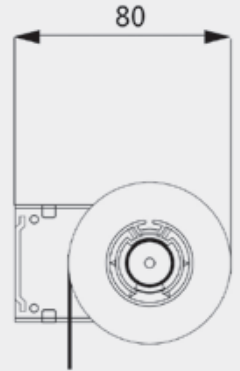
Buro 100 Specifications



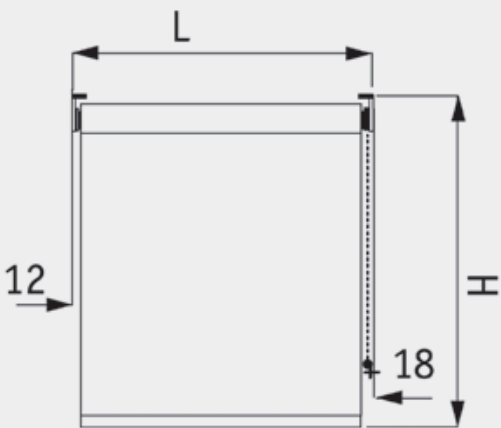
Top Fix



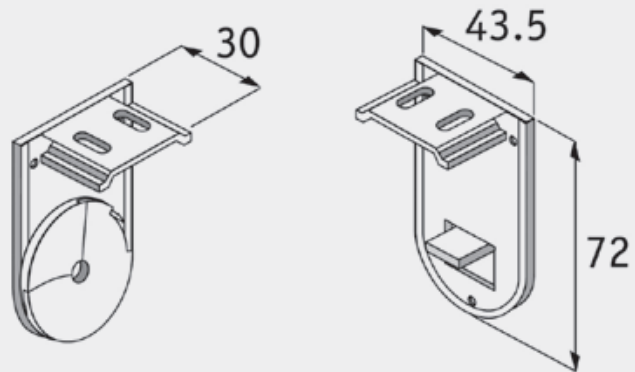
Face Fix



Light Gap



Bracket Size



Buro R300

R300, slightly larger than the 100 systems, is manufactured on a 45mm reinforced aluminium roller tube enabling much larger sizes without compromise on quality. The R300 mechanism is a high durability mechanism engineered specifically for commercial use and longevity.



Standard

Nylon Chain

Optional

Metal Chain

Fixed Crank

Detachable Crank

240v Hardwired Wall Switch

240v Remote Control

Battery

Side Guide Wires

Aluminium Back-Bar

Warranty

5 year

Max. size

Width 3000mm

Drop 3500mm

Surface 10m²

Tube size

45mm

Fabrics

Artisan

Artisan+

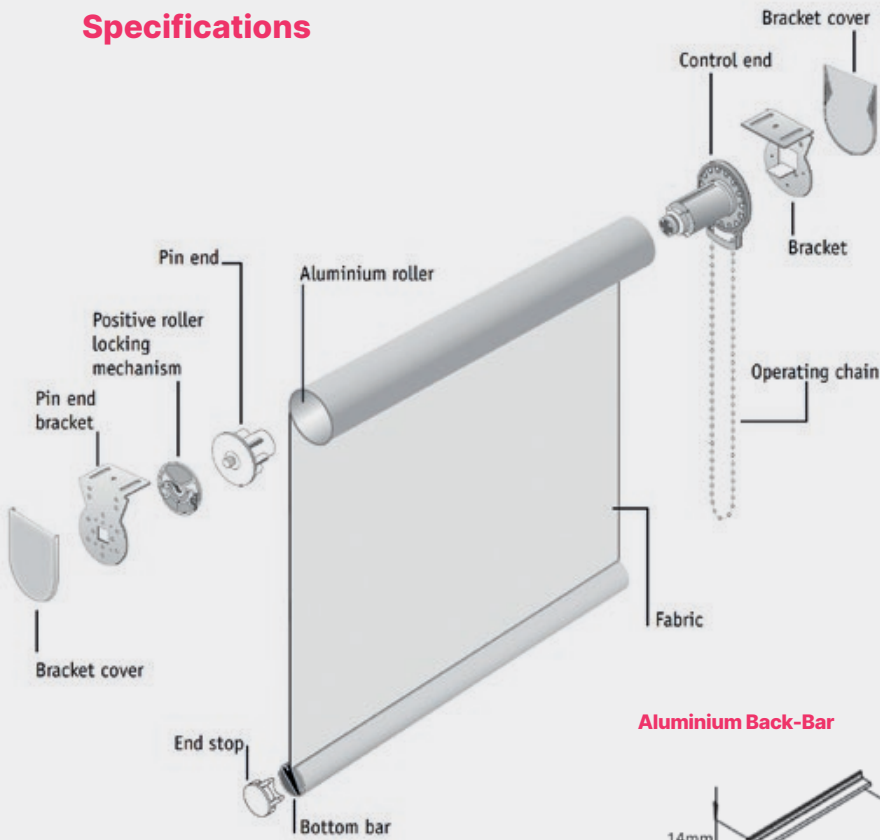
Artisan Black-Out

Sombra Eco

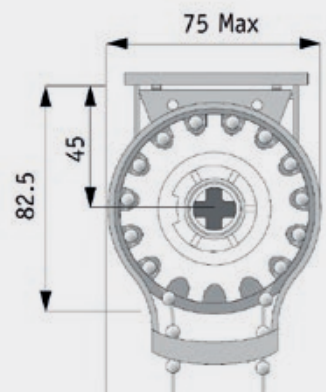
Diffusor

Bespoke

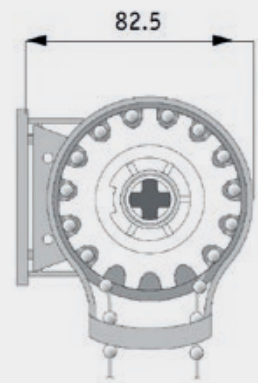
Buro 300 Specifications



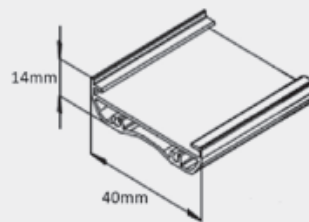
Top Fix



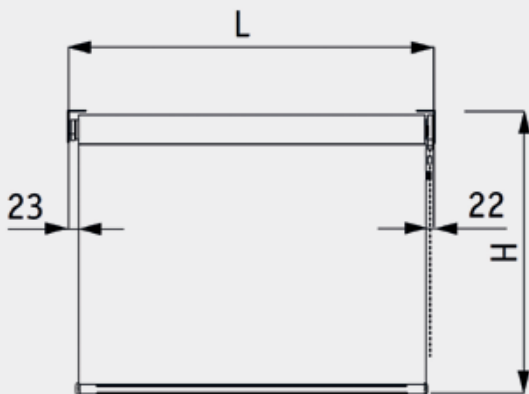
Face Fix



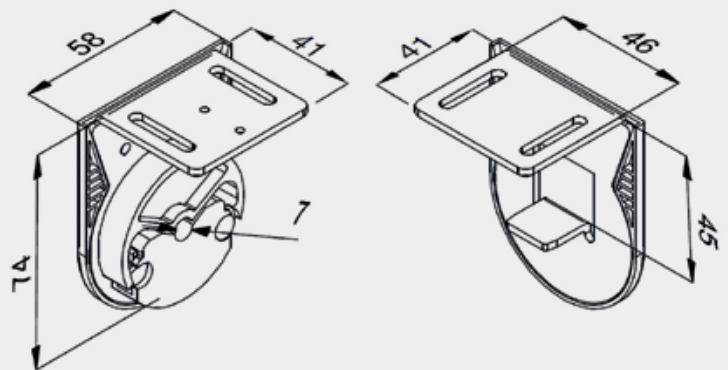
Aluminium Back-Bar



Light Gap



Bracket Size



Buro R500

The R500 is the embodiment of style and durability, carrying with it a true reflection of quality and prestige. A precisely engineered orbital gearing system lies at the heart of the manual R500 mechanism. The R500 is extraordinarily quiet and smooth in operation and due to a 61mm aluminium tube can accept the high loads of very wide spans with no complaint.



Standard

Nylon Chain

Optional

Metal Chain

Side Guide Wires

Warranty

5 year

Max. size

Width 4000mm

Drop 4300mm

Surface 16m²

Tube size

61mm

Fabrics

Artisan

Artisan+

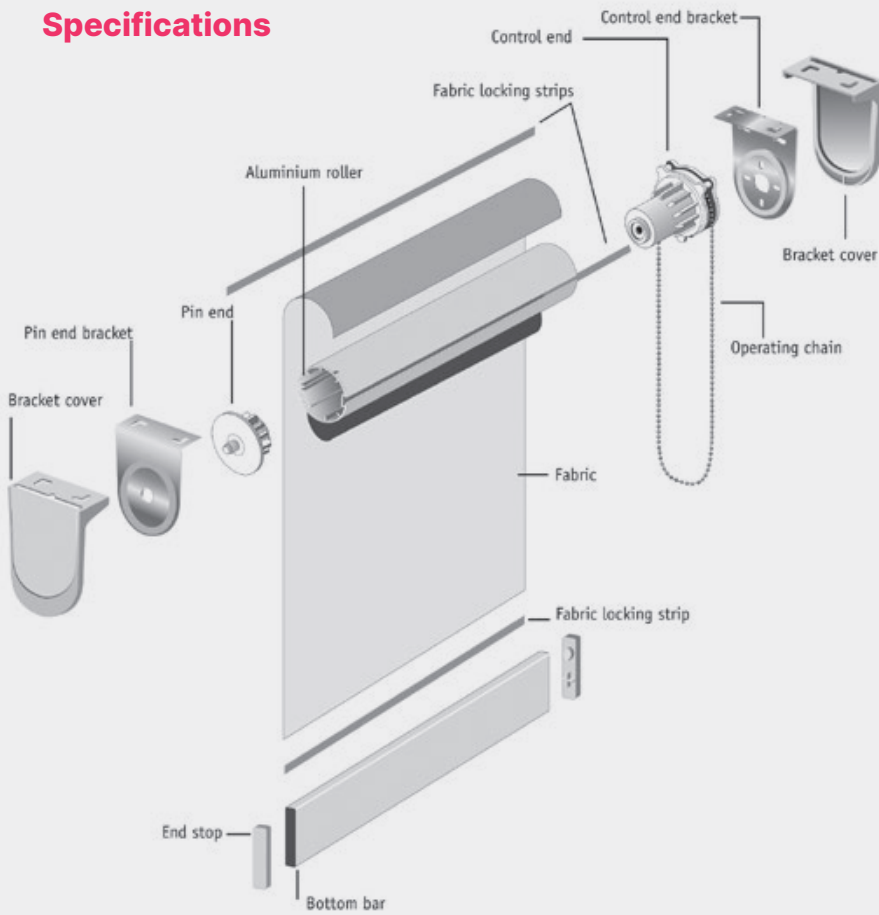
Artisan Black-Out

Sombra Eco

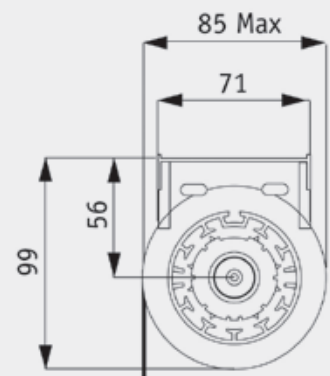
Diffusor

Bespoke

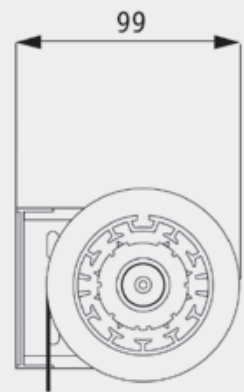
Buro 500 Specifications



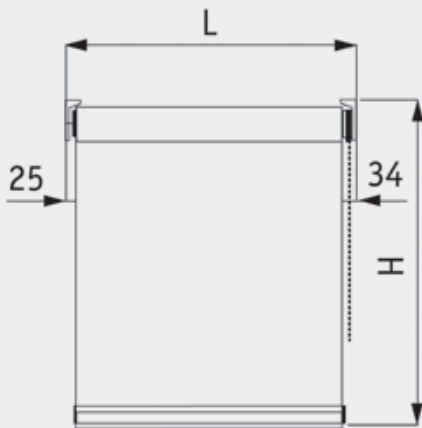
Top Fix



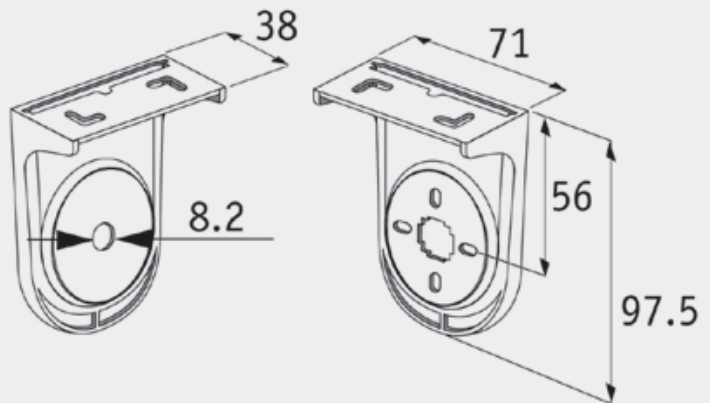
Face Fix



Light Gap



Bracket Size



Buro R600

The R600 is similar to R500 but with option for crank or electrical operation. A precisely engineered orbital gearing system lies at the heart of the manual R600 mechanism. The R600 is extraordinarily quiet and smooth in operation and due to a 61mm aluminium tube can accept the high loads of very wide spans with no complaint.



Standard

Fixed Crank

Optional

Detachable Crank
240v Hardwired Wall Switch
240v Remote Control
Side Guide Wires

Warranty

5 year

Max. size

Width 4000mm
Drop 4300mm
Surface 16m²

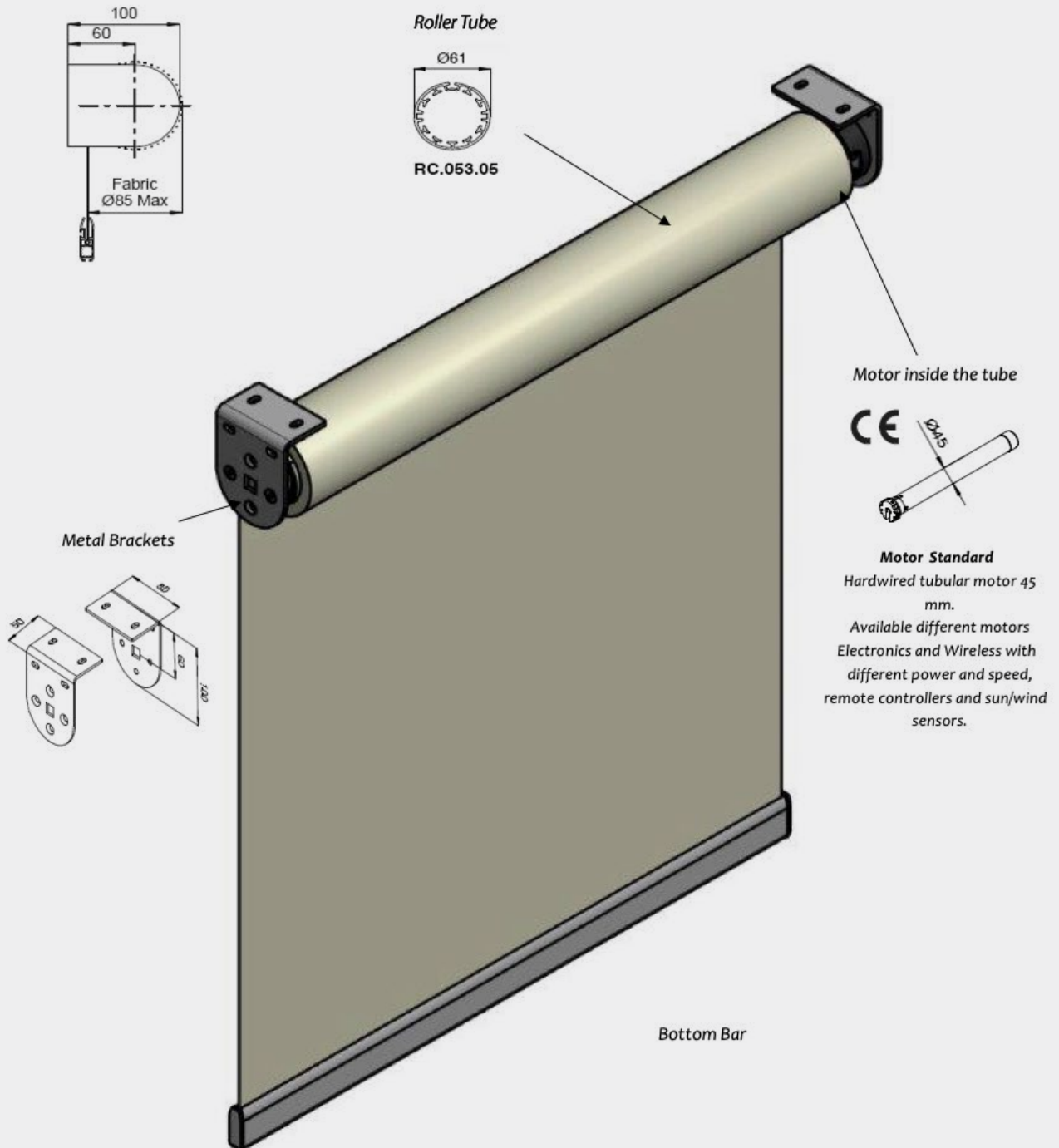
Tube size

61mm

Fabrics

Artisan
Artisan+
Artisan Black-Out
Sombra Eco
Diffusor
Bespoke

Buro 600 Specifications



Buro R700

The R700 is a true giant in the world of vertical roller blinds. With a heavy duty 78mm steel roller tube this system can reach impressive heights with upto 11 metres drop and a surface area of upto 23.5m². A perfect choice to compliment an impressive large glass atrium or reception area.



Standard

Fixed Crank

Optional

Detachable Crank
240v Hardwired Wall Switch
240v Remote Control
Side Guide Wires

Warranty

5 year

Max. size

Width 4500mm
Drop 11000mm
Surface 22.5m²

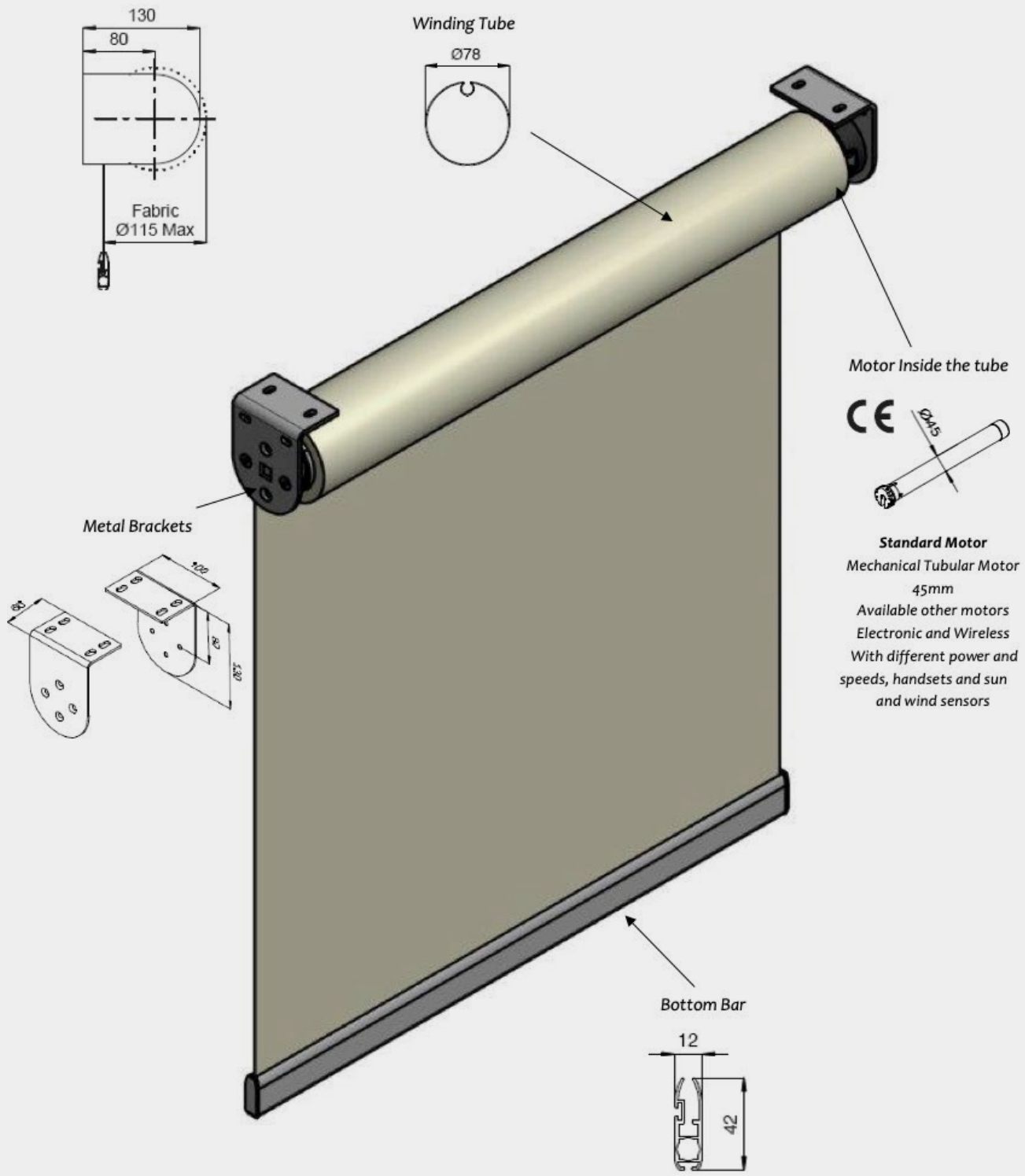
Tube size

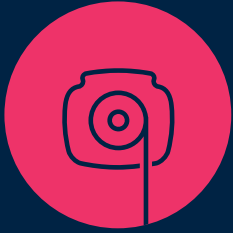
78mm

Fabrics

Artisan
Artisan+
Artisan Black-Out
Sombra Eco
Diffusor
Bespoke

Buro 700 Specifications





Cassette Roller Blinds

Cassette Roller Blinds offer a sleek and stylish alternative to simple Roller Blinds and are designed to fit neatly into window recesses to completely block light out. Our two-part extrusion enables quick and easy maintenance access, and our use of a separate non-swivel bracket ensures fuss-free installation. You're free to select the most appropriate operating mechanism – from a simple manual chain to fully automated light-sensitive controls or remote control via an app.



SC45	24
C63	26
C83	28
C110	30
C130	32
ZC83	34
ZC110	36
ZC130	38

SC45

The Semi-Cassette (SC) System is a sleek roller blind installed inside a curved aluminium two part profile. At the heart of this system is the durable R300 mechanism with a 45mm extruded aluminium roller tube. This system is perfect for the aesthetical requirement where roller blinds are required to blend into the surroundings SC45 is supplied pre-installed inside the two part profile so can be installed in one piece for maximum efficiency.



Standard

Nylon Chain
White RAL9016 Hardware

Optional

Metal Chain
240v Hardwired Wall Switch
240v Remote Control
Battery
Black RAL9005 Hardware
Grey Anodised Hardware

Warranty

5 year

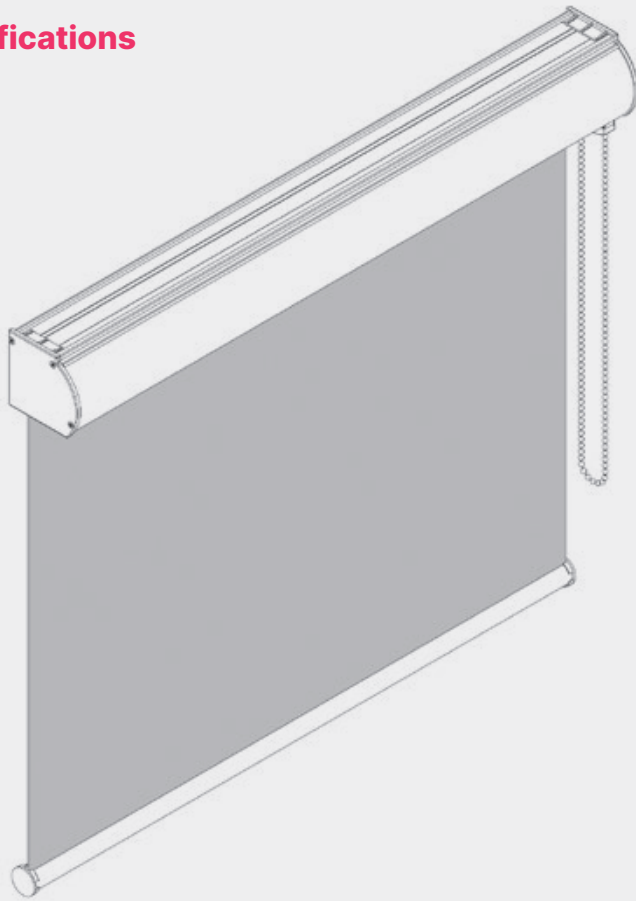
Max. size

Width 2000mm
Drop 2500mm
Surface 4m²

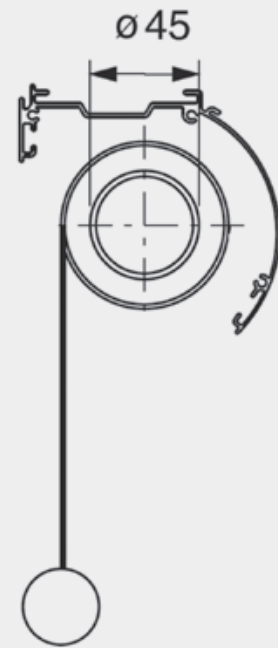
Fabrics

Artisan
Artisan+
Artisan Black-Out
Sombra Eco
Diffusor
Bespoke

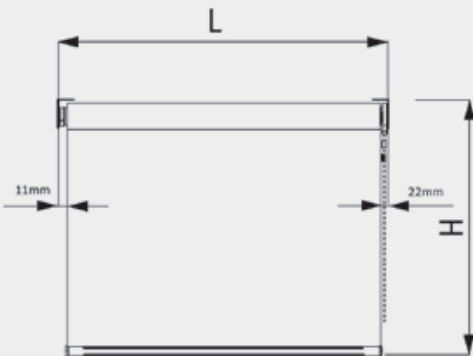
SC45 Specifications



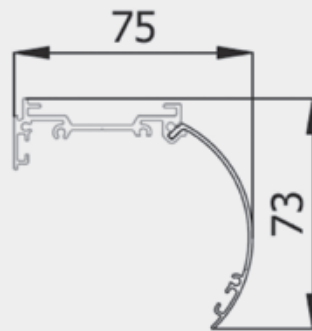
Fixing



Light Gap



Profile size



C63

Room darkening roller blind. This system is commonly used for studios, conference rooms, IT rooms or science laboratories. The C63 is manufactured with an extruded aluminium two part head box which comes in a 63mm cassette size. The roller tube for this system is 32mm aluminium reinforced tube.



Standard

Nylon Chain
Side Channels
White RAL9016 Hardware

Max. size

Width 2100mm
Drop 2200mm
Surface 4.6m²

Optional

Metal Chain
Fixed Crank
Detachable Crank
240v Hardwired Wall Switch
240v Remote Control
Battery
No Side Channels
Black RAL9005 Hardware
Grey Anodised Hardware

Fabrics

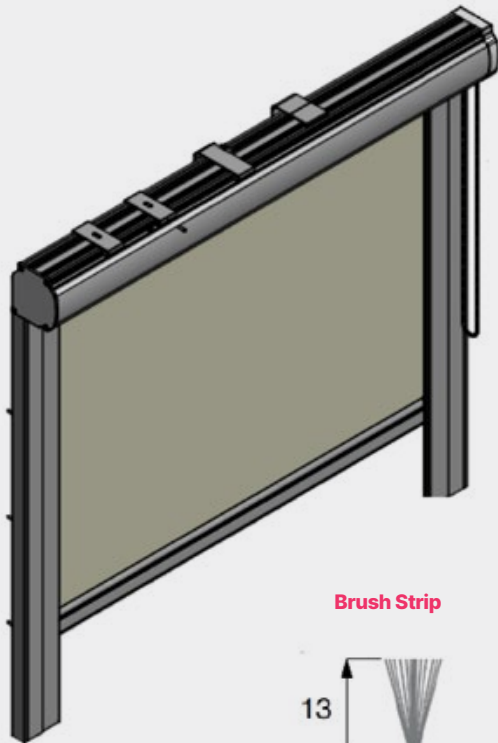
Artisan
Artisan+
Artisan Black-Out
Sombra Eco
Diffusor
Bespoke

Warranty

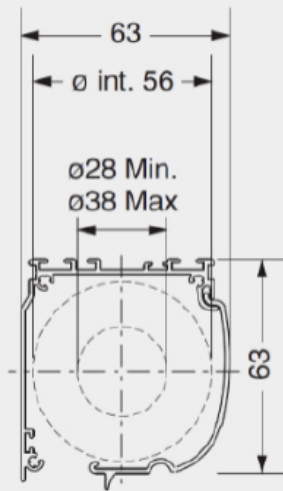
5 year



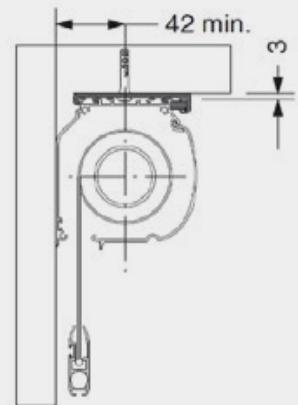
C63 Specifications



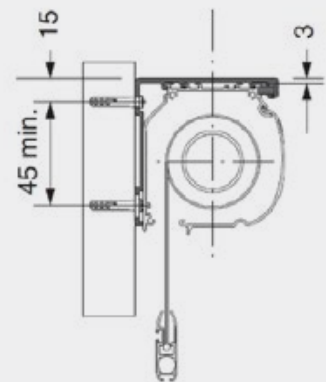
Headbox



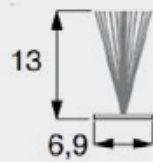
Top Fix



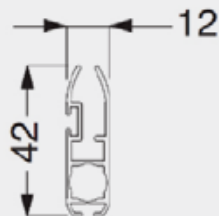
Face Fix



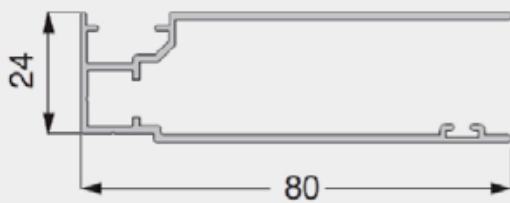
Brush Strip



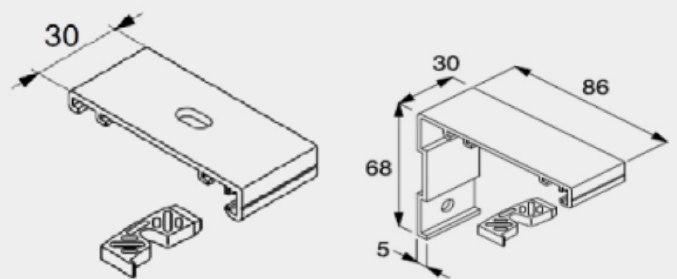
Bottom Bar



Side Channel



Bracket Detail



Side Channel Option



C83

Room darkening roller blind. This system is commonly used for studios, conference rooms, IT rooms or science laboratories. The C83 is manufactured with an extruded aluminium two part head box which comes in a 83mm cassette size. The roller tube for this system is 45mm reinforced extruded aluminium tube.



Standard

Nylon Chain
Side Channels
White RAL9016 Hardware

Max. size

Width 2800mm
Drop 2600mm
Surface 8m²

Optional

Metal Chain
Fixed Crank
Detachable Crank
240v Hardwired Wall Switch
240v Remote Control
Battery
No side channels
Black RAL9005 Hardware
Grey Anodised Hardware

Fabrics

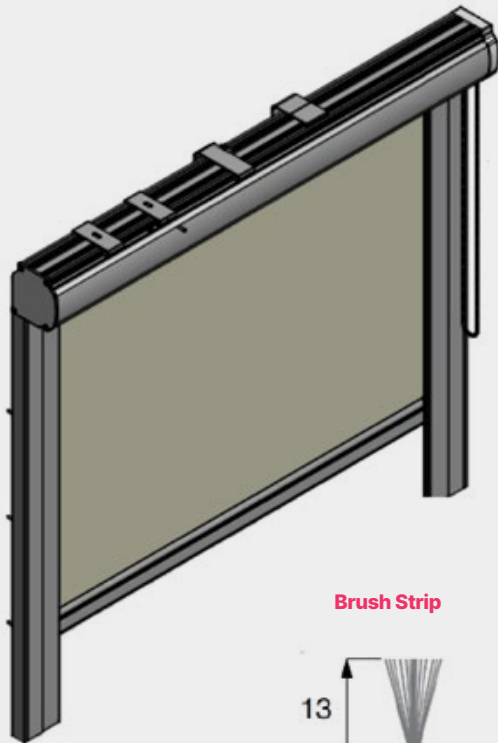
Artisan
Artisan+
Artisan Black-Out
Sombra Eco
Diffusor
Bespoke

Warranty

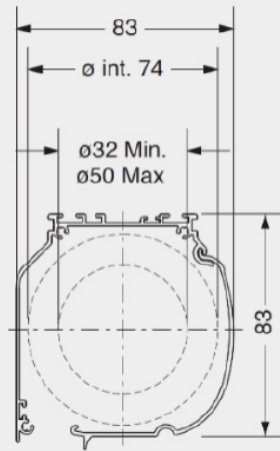
5 year



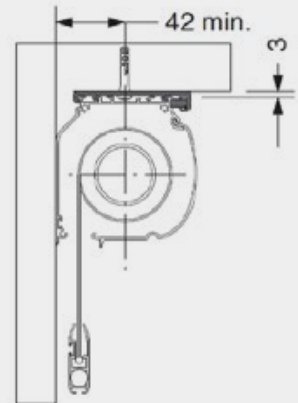
C83 Specifications



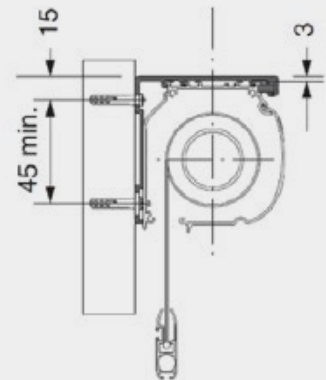
Headbox



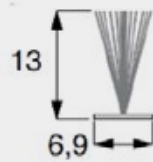
Top Fix



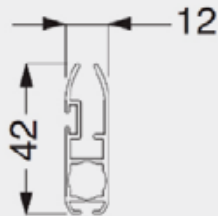
Face Fix



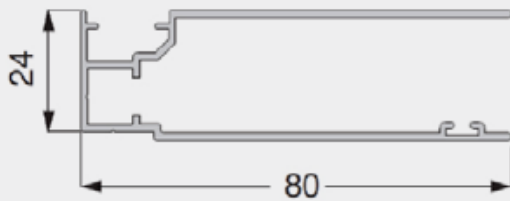
Brush Strip



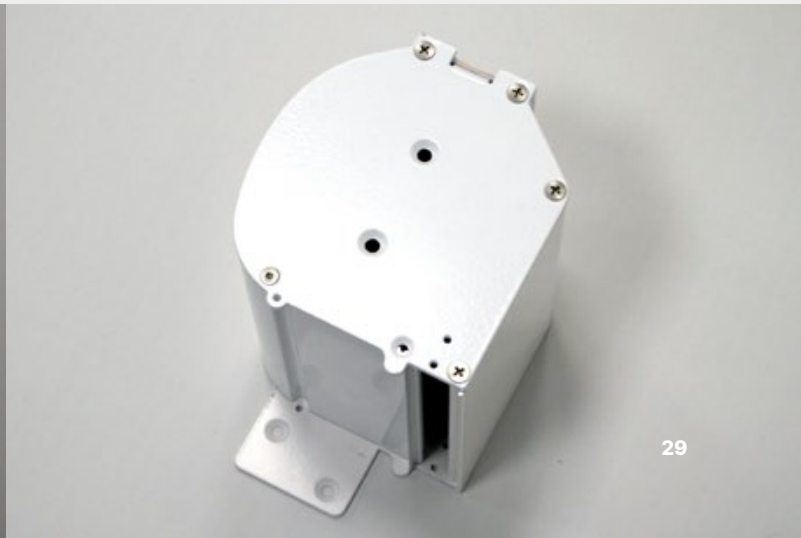
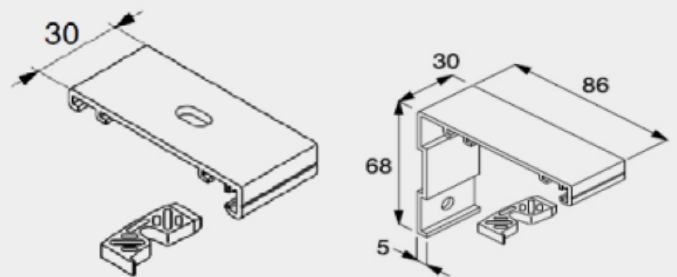
Bottom Bar



Side Channel



Bracket Detail



C110

Room darkening roller blind. This system is commonly used for studios, conference rooms, IT rooms or science laboratories. The C110 is manufactured with an extruded aluminium two part head box which comes in a 110mm cassette size. The roller tube for this system is 78mm reinforced extruded aluminium tube.



Standard

Fixed Crank
Side Channels
White RAL9016 Hardware

Optional

Detachable Crank
240v Hardwired Wall Switch
240v Remote Control
Battery
No Side Channels
Black RAL9005 Hardware
Grey Anodised Hardware

Warranty

5 year

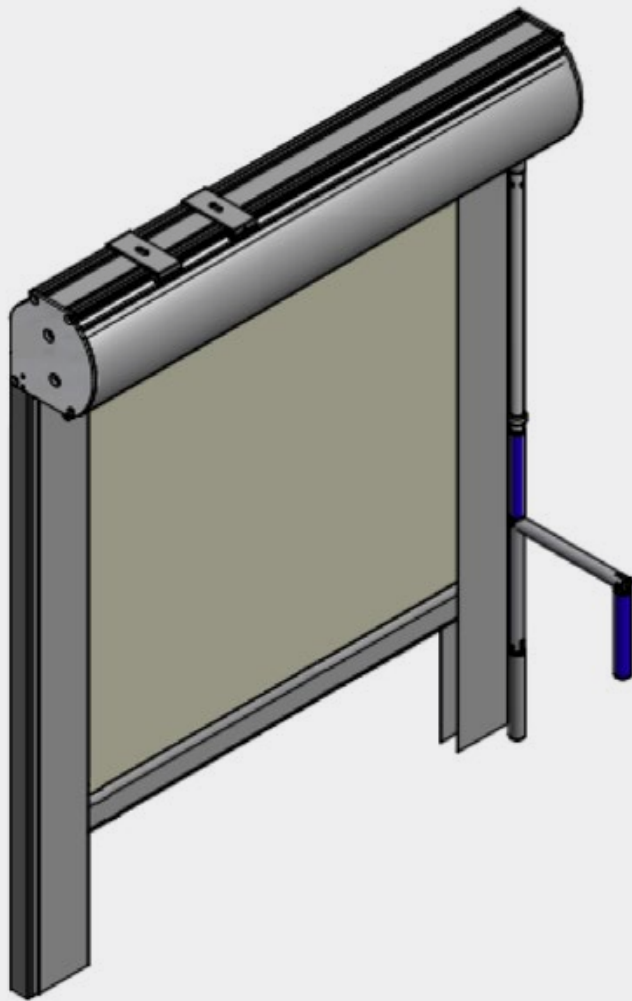
Max. size

Width 4000mm
Drop 3200mm (4500mm
without side channels
Surface 18m²

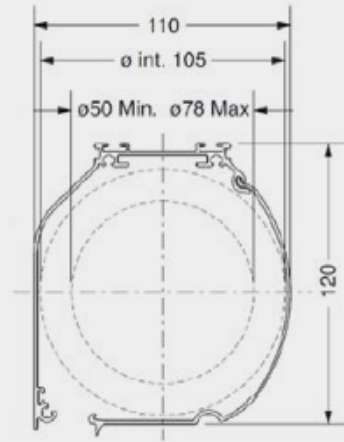
Fabrics

Artisan
Artisan+
Artisan Black-Out
Sombra Eco
Diffusor
Bespoke

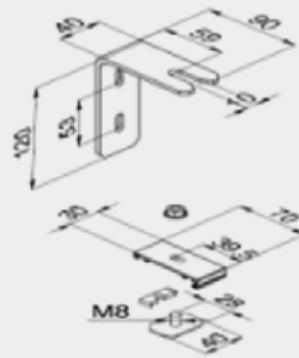
C110 Specifications



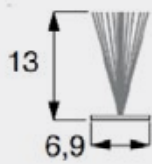
Headbox



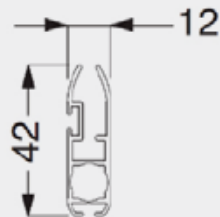
Brackets



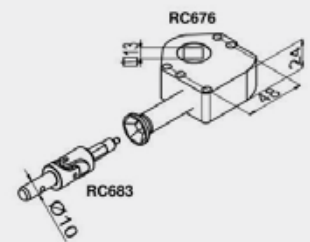
Brush Strip



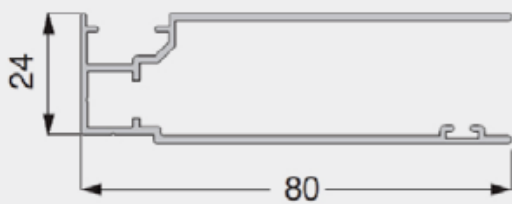
Bottom Bar



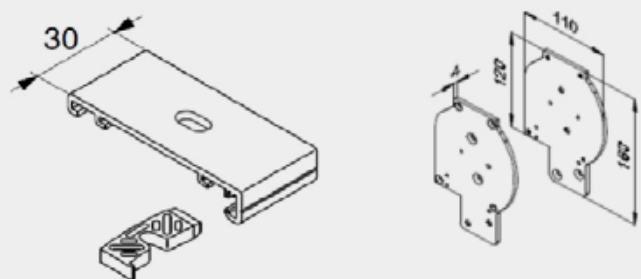
Crank



Side Channel



Bracket Detail



C130

Room darkening roller blind. This system is commonly used for studios, conference rooms, IT rooms or science laboratories. The C130 is manufactured with an extruded aluminium two part head box which comes in a 130mm cassette size. The roller tube for this system is 85mm reinforced extruded aluminium tube.



Standard

Fixed Crank
Side Channels
White RAL9016 Hardware

Optional

Detachable Crank
240v Hardwired Wall Switch
240v Remote Control
Battery
No Side Channels
Black RAL9005 Hardware
Grey Anodised Hardware

Warranty

5 year

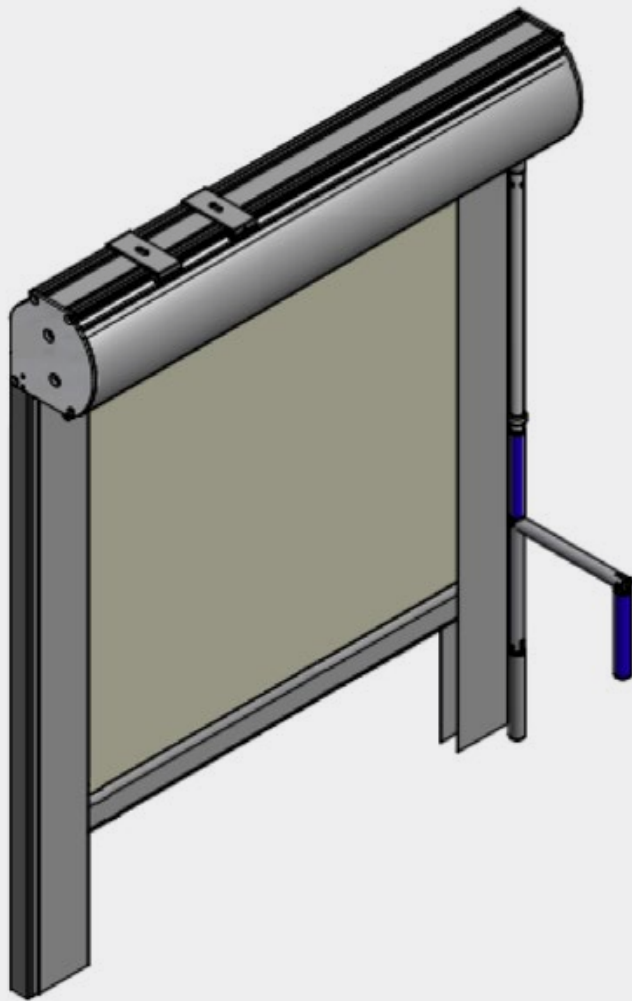
Max. size

Width 4500mm
Drop 3200mm (5000mm
without side channels
Surface 22.5m²

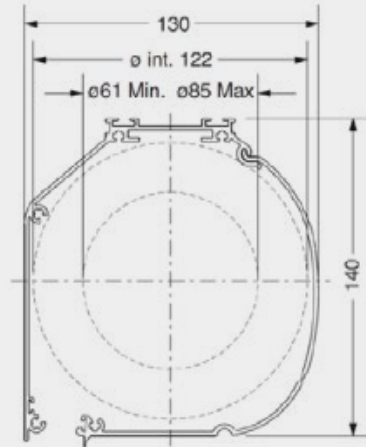
Fabrics

Artisan
Artisan+
Artisan Black-Out
Sombra Eco
Diffusor
Bespoke

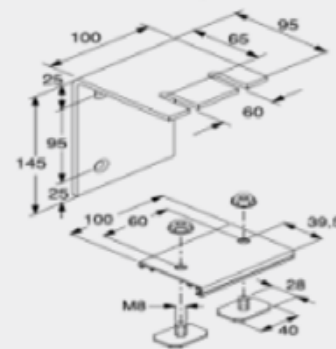
C130 Specifications



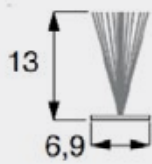
Headbox



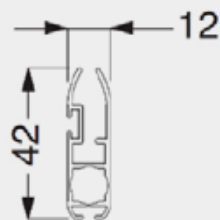
Brackets



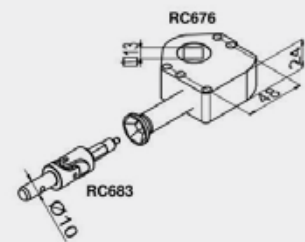
Brush Strip



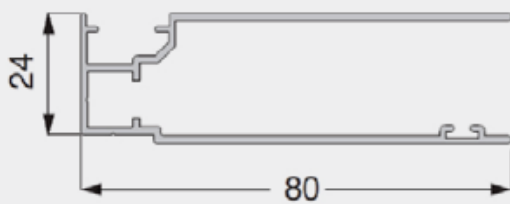
Bottom Bar



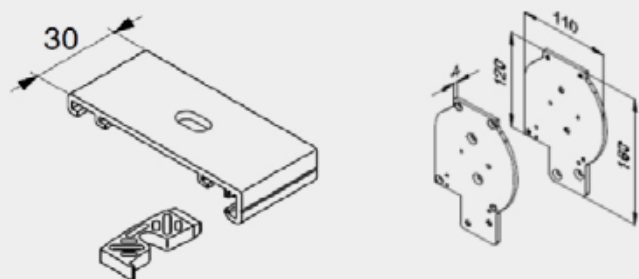
Crank



Side Channel



Bracket Detail



ZC83

A full range of room darkening roller blinds with “Z” Locking side channels to lock the fabric into the channel. BURO ZC range blinds are manufactured with an extruded aluminium two part head box each end of the opening and extruded aluminium “Z” locking side channels.



Standard

Fixed Crank
Z-lock Side Channels
White RAL9016 Hardware

Max. size

Width 2000mm
Drop 2500mm
Surface 5m²

Optional

Detachable Crank
240v Hardwired Wall Switch
240v Remote Control
Battery
Black RAL9005 Hardware
Grey Anodised Hardware

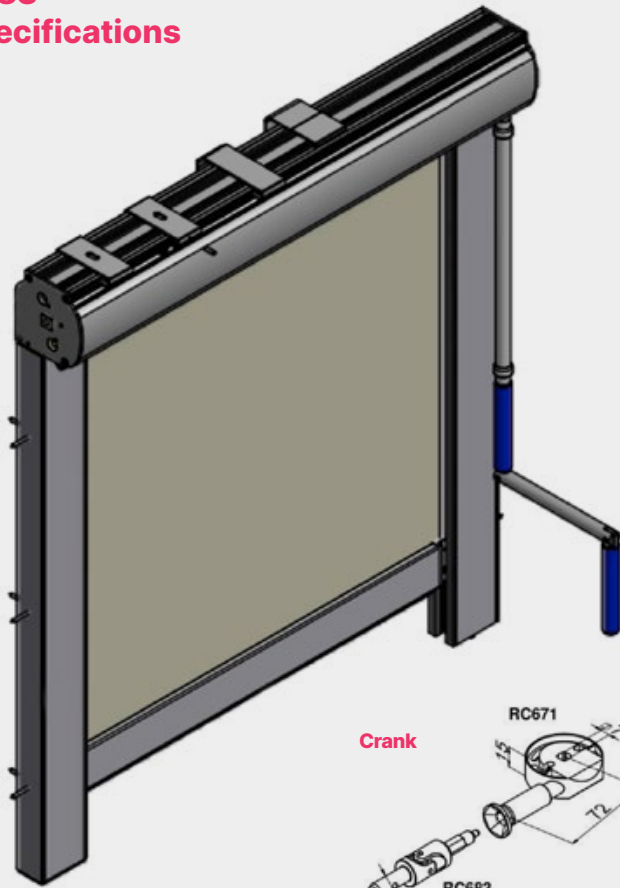
Fabrics

Sombra Eco
Diffusor
Bespoke

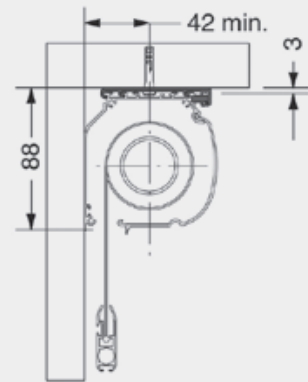
Warranty

5 year

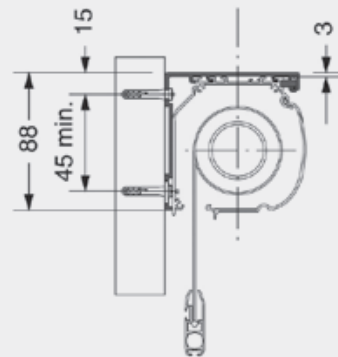
ZC83 Specifications



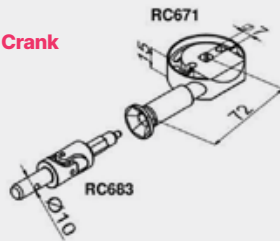
Top Fix



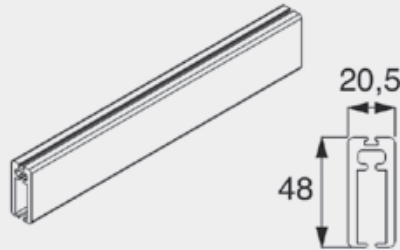
Face Fix



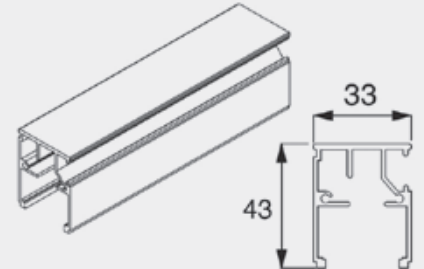
Crank



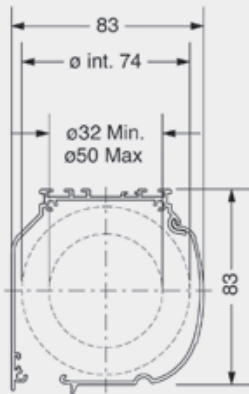
Bottom Bar



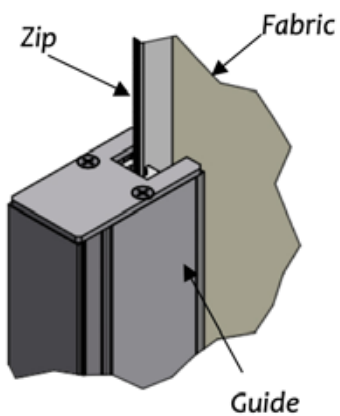
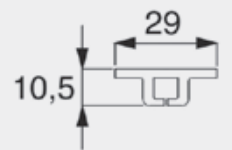
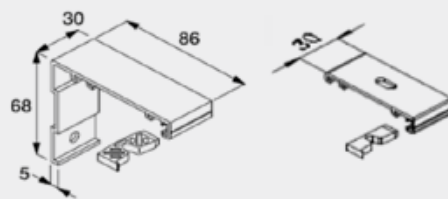
Side Channels



Headbox



Wall brackets support



ZC110

A full range of room darkening roller blinds with “Z” Locking side channels to lock the fabric into the channel. BURO ZC range blinds are manufactured with an extruded aluminium two part head box each end of the opening and extruded aluminium “Z” locking side channels.



Standard

Fixed Crank
Z-lock Side Channels
White RAL9016 Hardware

Max. size

Width 3600mm
Drop 3600mm
Surface 13m²

Optional

Detachable Crank
240v Hardwired Wall Switch
240v Remote Control
Battery
Black RAL9005 Hardware
Grey Anodised Hardware

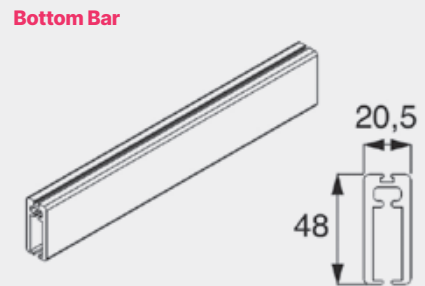
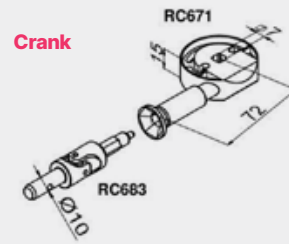
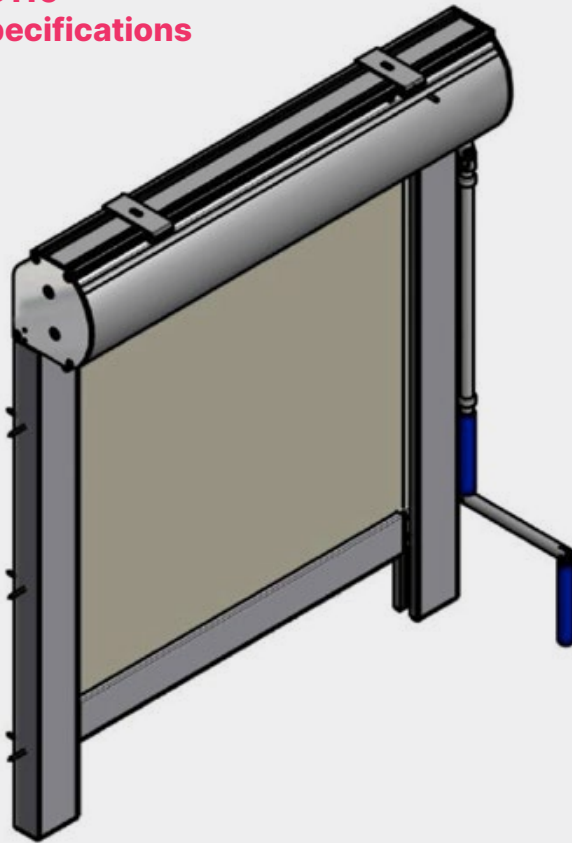
Fabrics

Sombra Eco
Diffusor
Bespoke

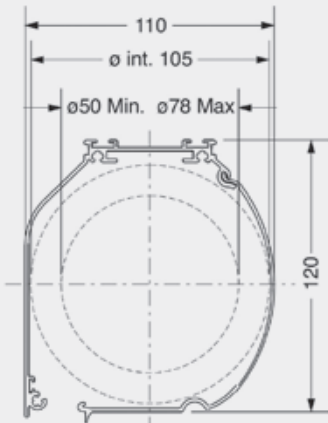
Warranty

5 year

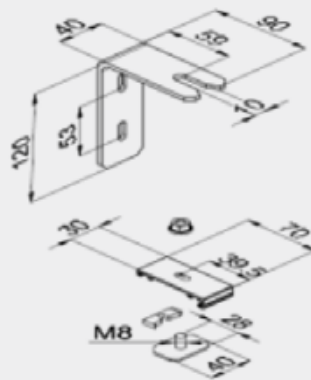
ZC110 Specifications



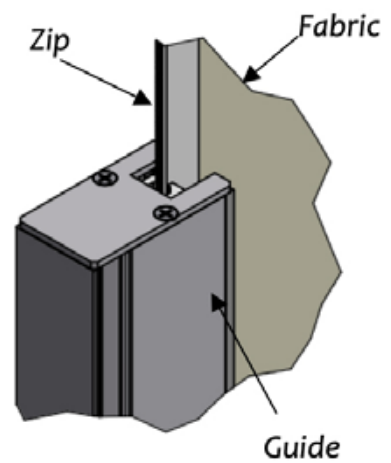
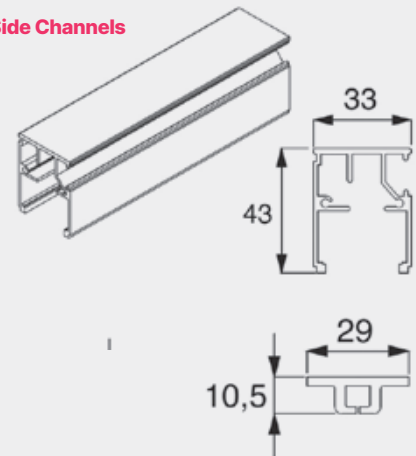
Headbox



Wall brackets support



Side Channels



ZC130

A full range of room darkening roller blinds with “Z” Locking side channels to lock the fabric into the channel. BURO ZC range blinds are manufactured with an extruded aluminium two part head box each end of the opening and extruded aluminium “Z” locking side channels.



Standard

240v Hardwired Wall Switch
Z-lock Side Channels
White RAL9016 Hardware

Max. size

Width 3600mm
Drop 4600mm
Surface 16m²

Optional

240v Remote Control
Black RAL9005 Hardware
Grey Anodised Hardware

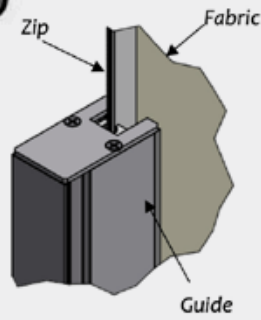
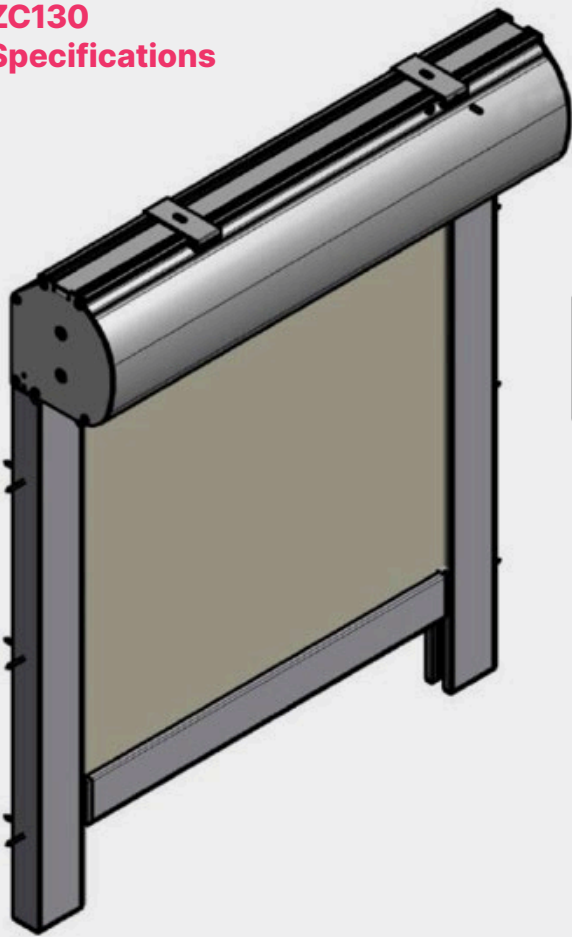
Fabrics

Sombra Eco
Diffusor
Bespoke

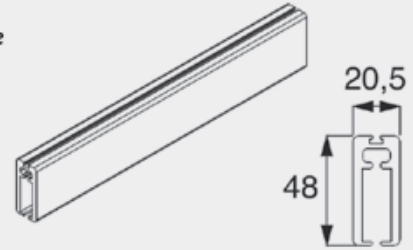
Warranty

5 year

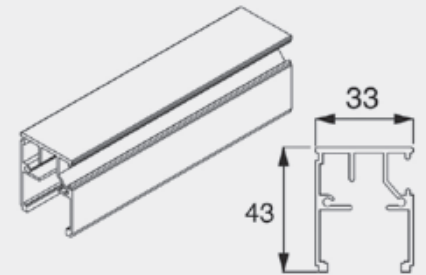
ZC130 Specifications



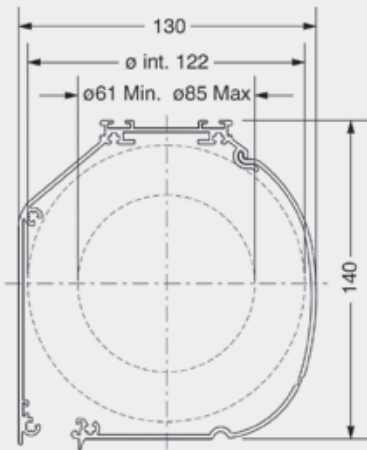
Bottom Bar



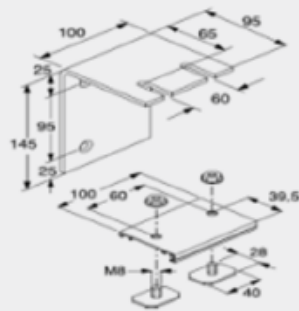
Side Channels



Headbox



Wall brackets support





Horizontal Rooflight Blinds

Buroshade's Horizontal Rooflight Blinds are based on the easy-access design of our Cassette Roller Blinds. The "CR" systems have a roller at each end of the opening – one holding the fabric and the other acting as the tension mechanism. The "TR" systems are more advanced: these hold the fabric and tensioning mechanism at one end of the opening in a single mechanism. Perfect for large architectural glazed roof areas.

CRX	42
CR83	44
CR110	46
ZR110	48
ZR130	50
TR85	52
TR85 - Shaped	54



CRX

The CRX System is a baseline product and is not supplied with a Cassette or side channels. This is a perfect product for smaller rooflight applications.



Standard

Fixed Crank
Side Guide Wires

Optional

Detachable Crank
240v Hardwired Wall Switch
240v Remote Control
Battery

Warranty

5 year

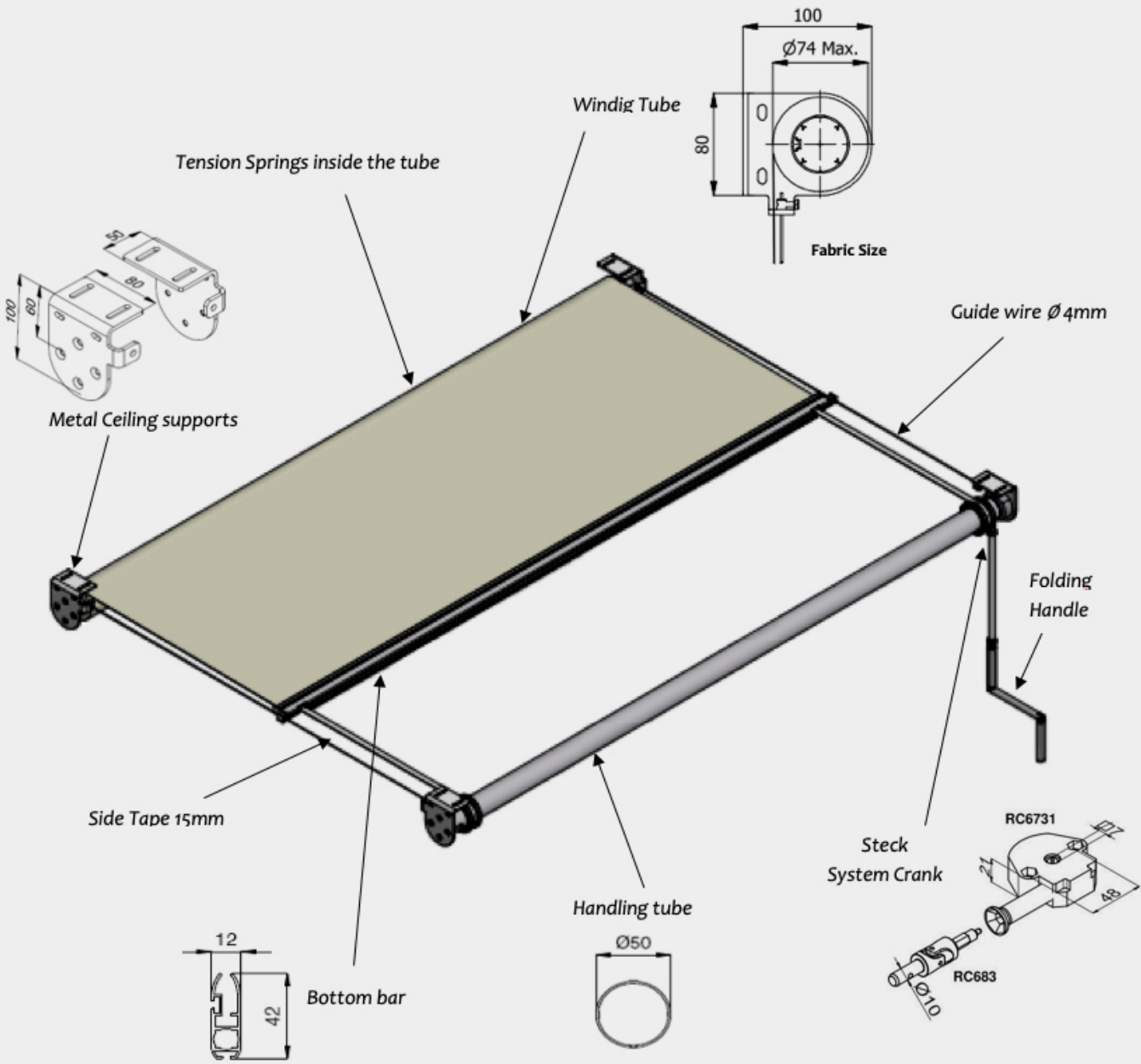
Max. size

Width 1600mm
Drop 2000mm
Surface 3.2m²

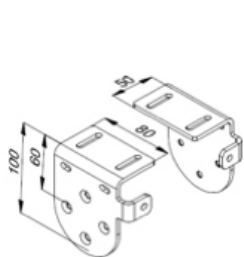
Fabrics

Sombra Tensile
Diffusor
Bespoke

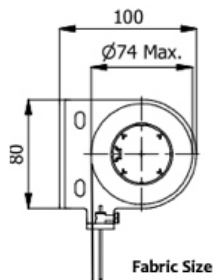
CRX Specifications



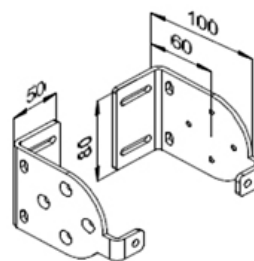
Options



Metal Ceiling supports



Windig Tube



Metal Wall Fixing

CR83

Cassette tension roller blind for horizontal applications. Manufactured with an extruded aluminium two part head box each end of the opening and extruded aluminium side channels. Cassette size is 83mm.



Standard

Fixed Crank
Side Channels
White RAL9016 Hardware

Max. size

Width 1600mm
Drop 2000mm
Surface 3.2m²

Optional

Detachable Crank
240v Hardwired Wall Switch
240v Remote Control
Battery
Black RAL9005 Hardware
Grey Anodised Hardware

Fabrics

Sombra Tensile
Diffusor
Bespoke

Warranty

5 year

CR83 Specifications



CR110

Cassette tension roller blind for horizontal applications. Manufactured with an extruded aluminium two part head box each end of the opening and extruded aluminium side channels. Cassette size is 110mm.



Standard

Fixed Crank
Side Channels
White RAL9016 Hardware

Max. size

Width 1600mm
Drop 2600mm
Surface 6m²

Optional

Detachable Crank
240v Hardwired Wall Switch
240v Remote Control
Battery
Black RAL9005 Hardware
Grey Anodised Hardware

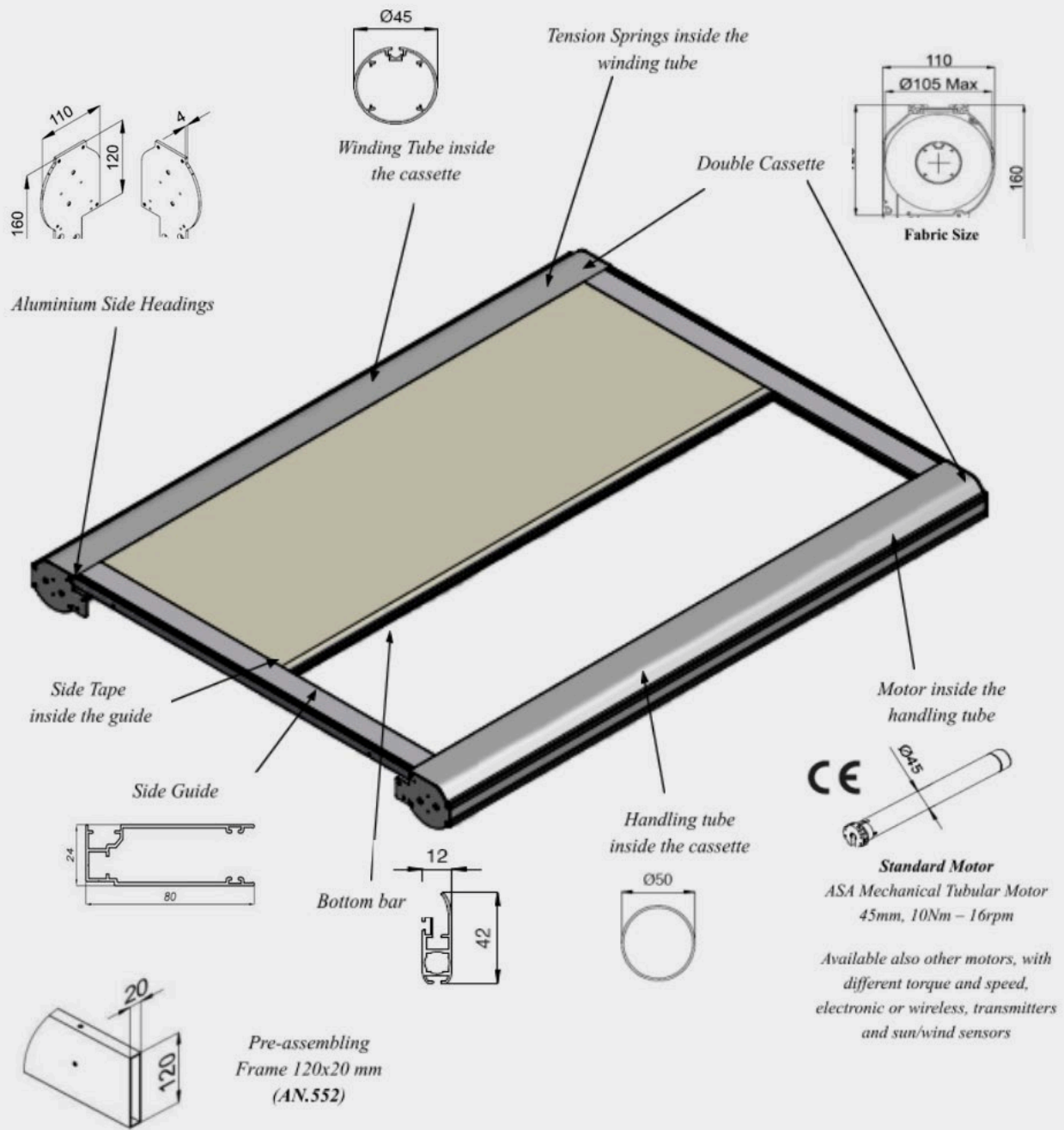
Fabrics

Sombra Tensile
Diffusor
Bespoke

Warranty

5 year

CR110 Specifications



ZR110

The ZR range is an upgrade of the CR range including the specialist “Z” Locking side channels to lock the fabric into the channel. ZR110 is manufactured with an extruded aluminium two part head box which comes in a 110mm cassette size. This product is a step up from the standard side channel system and is essential where there is likely to be excessive air movement.



Standard

240v Hardwired Wall Switch
Z-lock Side Channels
White RAL9016 Hardware

Max. size

Width 1600mm
Drop 2500mm
Surface 4m²

Optional

240v Remote Control
Black RAL9005 Hardware
Grey Anodised Hardware

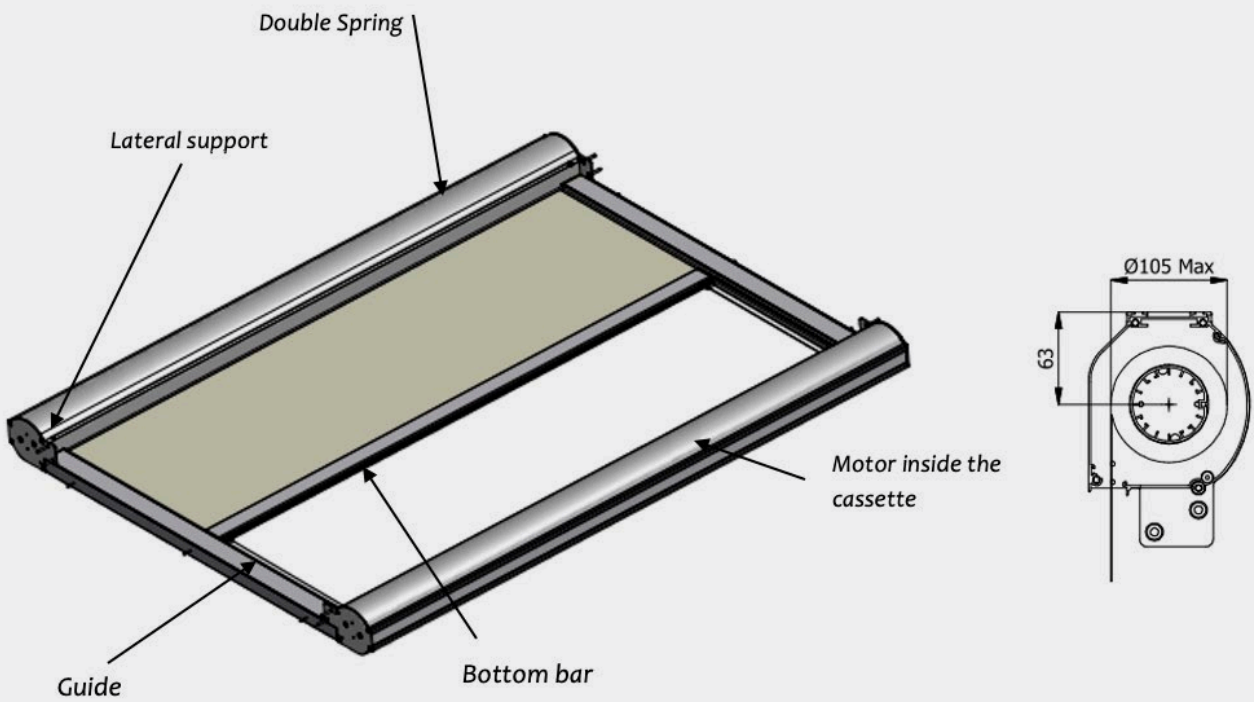
Fabrics

Sombra Tensile
Diffusor
Bespoke

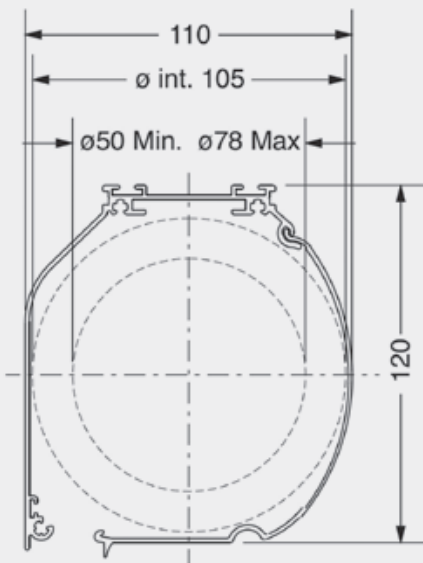
Warranty

5 year

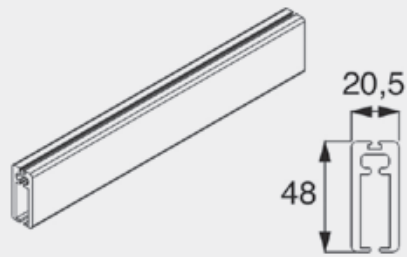
ZR110 Specifications



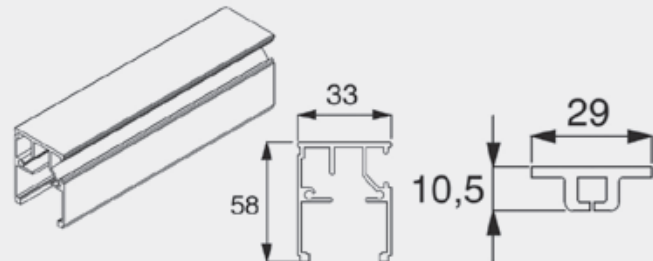
Head box



Bottom Bar



Side Channels



ZR130

The ZR range is an upgrade of the CR range including the specialist “Z” Locking side channels to lock the fabric into the channel. ZR130 is manufactured with an extruded aluminium two part head box which comes in a 130mm cassette size. This product is a step up from the standard side channel system and is essential where there is likely to be excessive air movement.



Standard

240v Hardwired Wall Switch
Z-lock Side Channels
White RAL9016 Hardware

Max. size

Width 2500mm
Drop 4000mm
Surface 10m²

Optional

240v Remote Control
Black RAL9005 Hardware
Grey Anodised Hardware

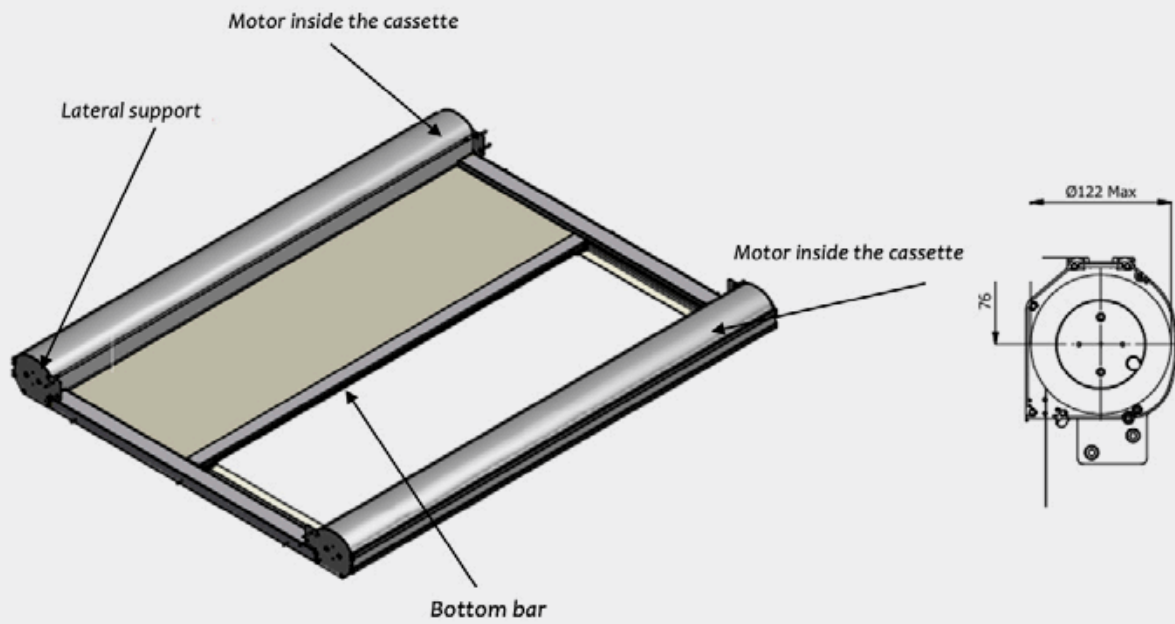
Fabrics

Sombra Tensile
Diffusor
Bespoke

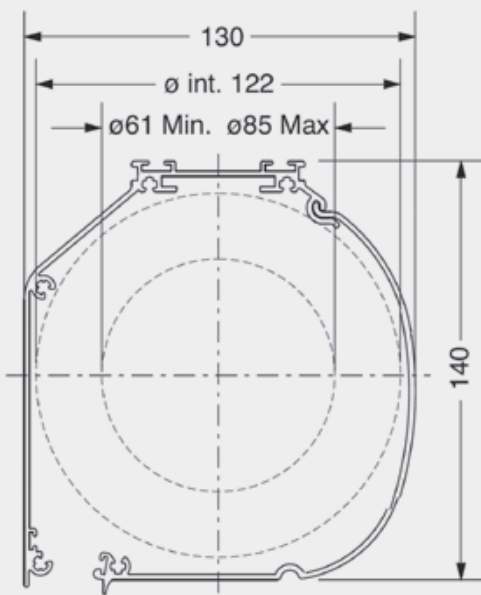
Warranty

5 year

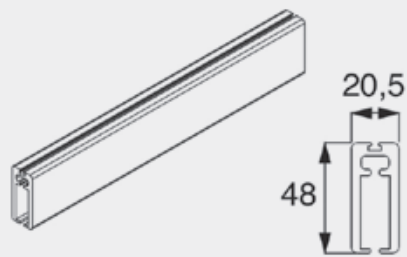
ZR130 Specifications



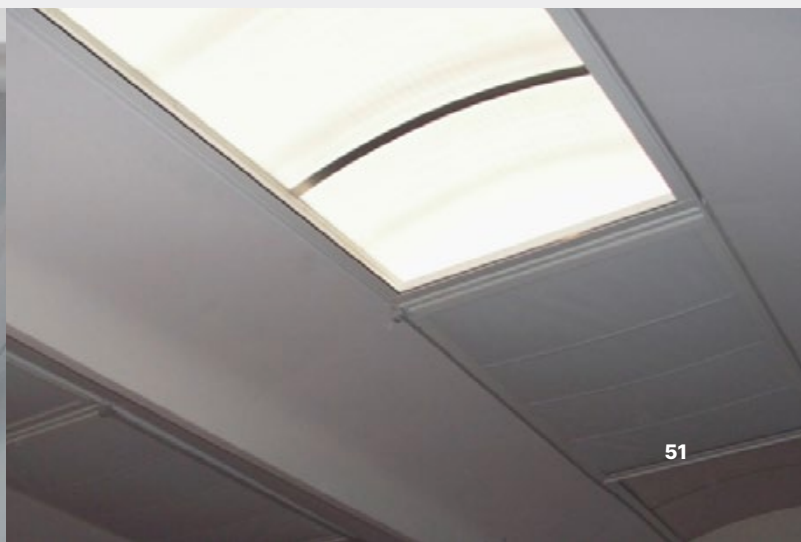
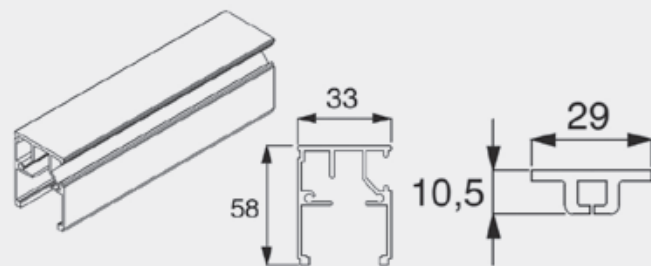
Head box



Bottom Bar



Side Channels



TR85

TR85 System is a heavy duty tension roller for large horizontal rooflight or bottom-up applications. Due to the 85mm steel roller tube and hi-tension capability, this product can deliver an un-matched smooth finish over large horizontal openings. All tension is created by the unique single tension mechanism so the blind only requires a barrel at one end of the opening, this reduces visible hardware to preserve a clean overall finish.



Standard

240v Hardwired Wall Switch
Side Guide Wires

Optional

240v Remote Control

Warranty

5 year

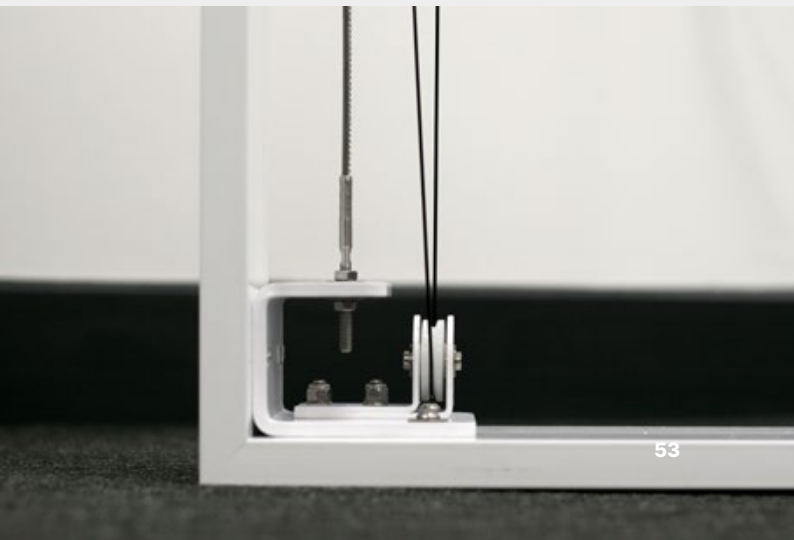
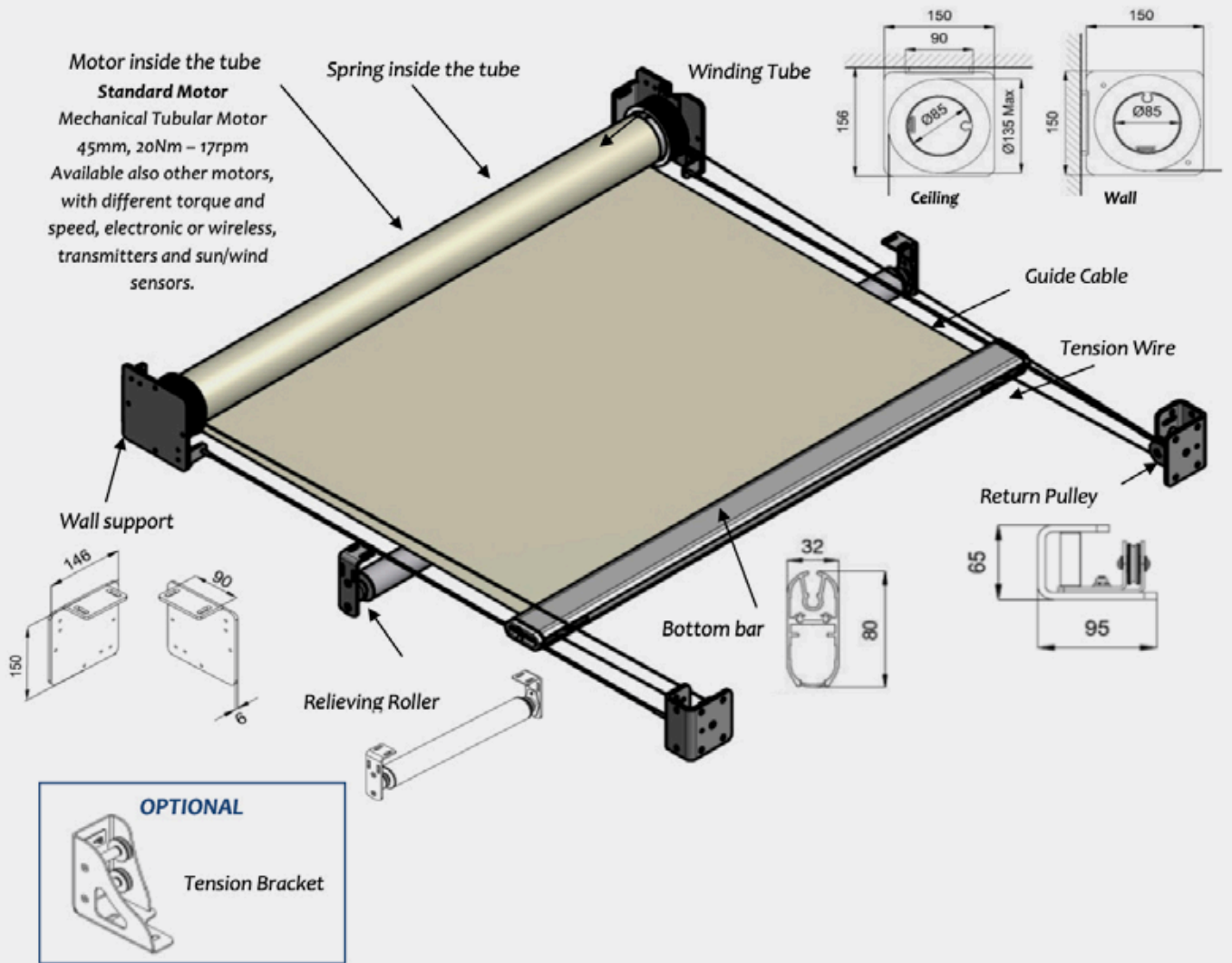
Max. size

Width 4000mm
Length 6000mm
Surface 16m²
Max. Lift Weight 28kg

Fabrics

Sombra Tensile
Diffusor
Bespoke

TR85 Specifications



TR85 – Shaped

TR85 Shaped is an advance on the TR85 systems which enables shading to be extended to triangular areas of glazing in both horizontal and bottom-up applications. All tension is created by the unique single tension mechanism so the blind only requires a barrel at one end of the opening, this reduces visible hardware to preserve a clean overall finish



Standard

240v Hardwired Wall Switch
Side Guide Wires

Optional

240v Remote Control

Warranty

5 year

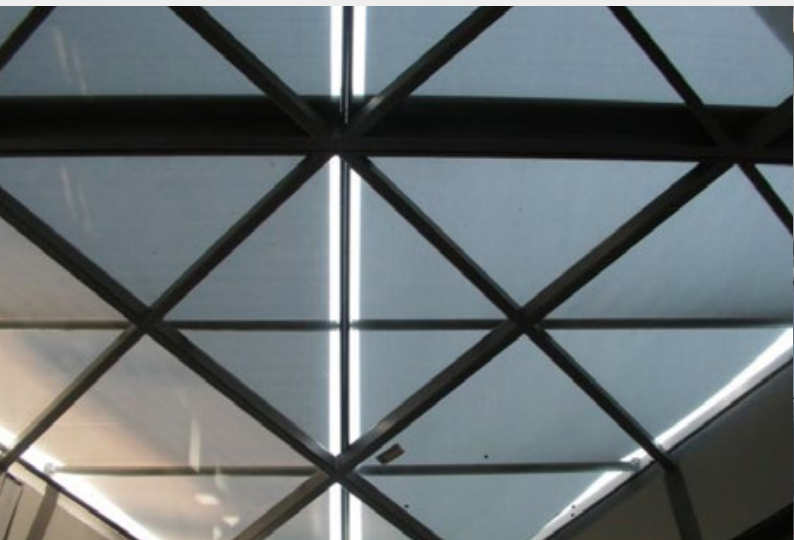
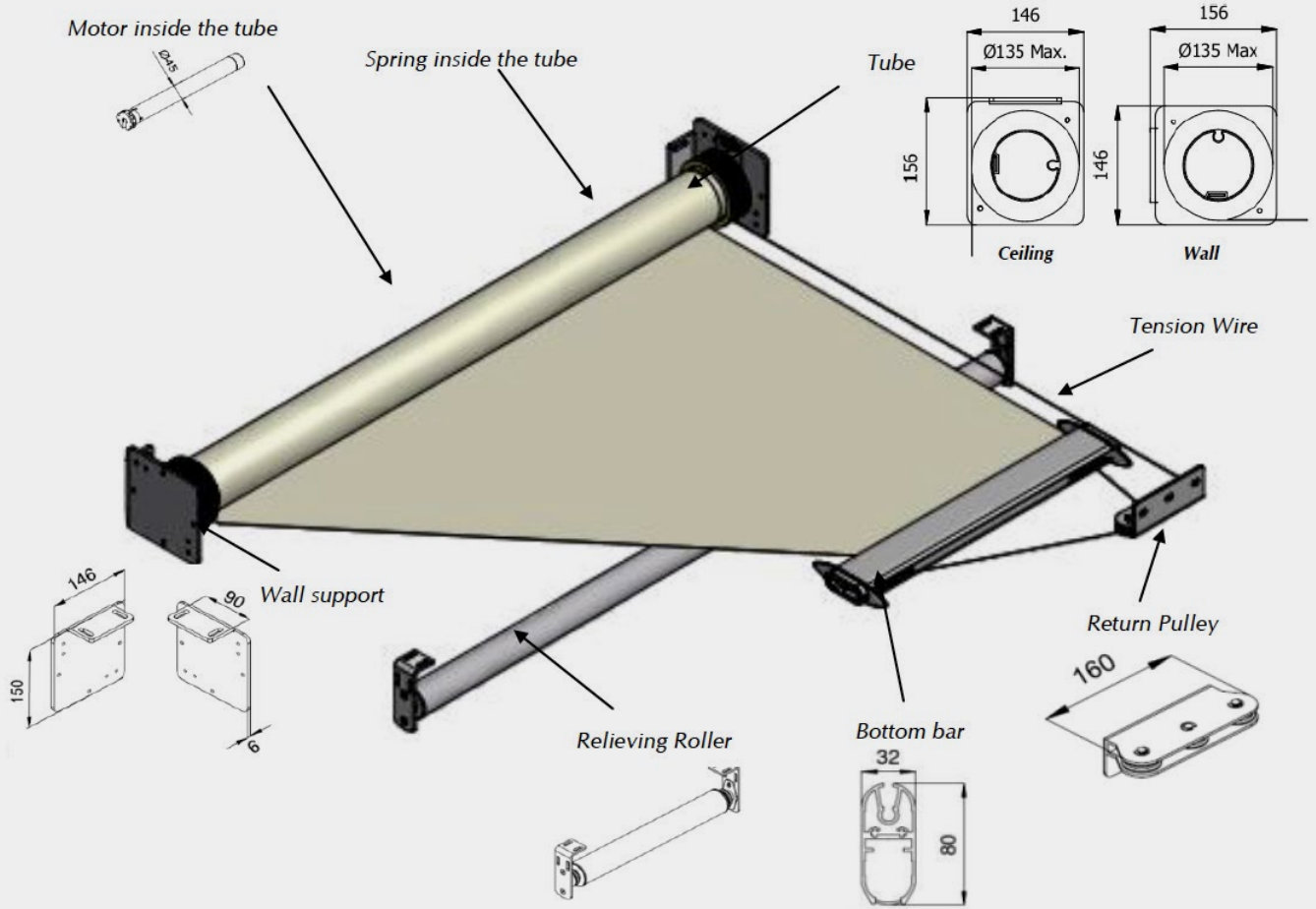
Max. size

Width 4000mm
Draw 5000mm
Surface 10m²
Max. Lift Weight 28kg

Fabrics

Sombra Tensile
Diffusor
Bespoke

TR85 - Shaped Specifications





External Blinds

External blinds are fitted on the outside of the window to stop the heat from the sun before it comes into the building.

This is very popular throughout Europe and is substantially more effective than internal window blinds. For this reason, the EX range of systems are the number one option solution when looking to reduce solar heat gain.

EX83	58
EX110	60
EX130	62



EX83

Heavy duty cassetted roller blind for external applications. Manufactured with an extruded aluminium two part head box with choice of 4mm steel side guide wires or the z-lock side channels for black out performance. Cassette size is 83mm.



Standard

Fixed Crank
Side Guide Wires

Optional

Detachable Crank
240v Hardwired Wall Switch
240v Remote Control
Z-lock Side Channels

Warranty

5 year

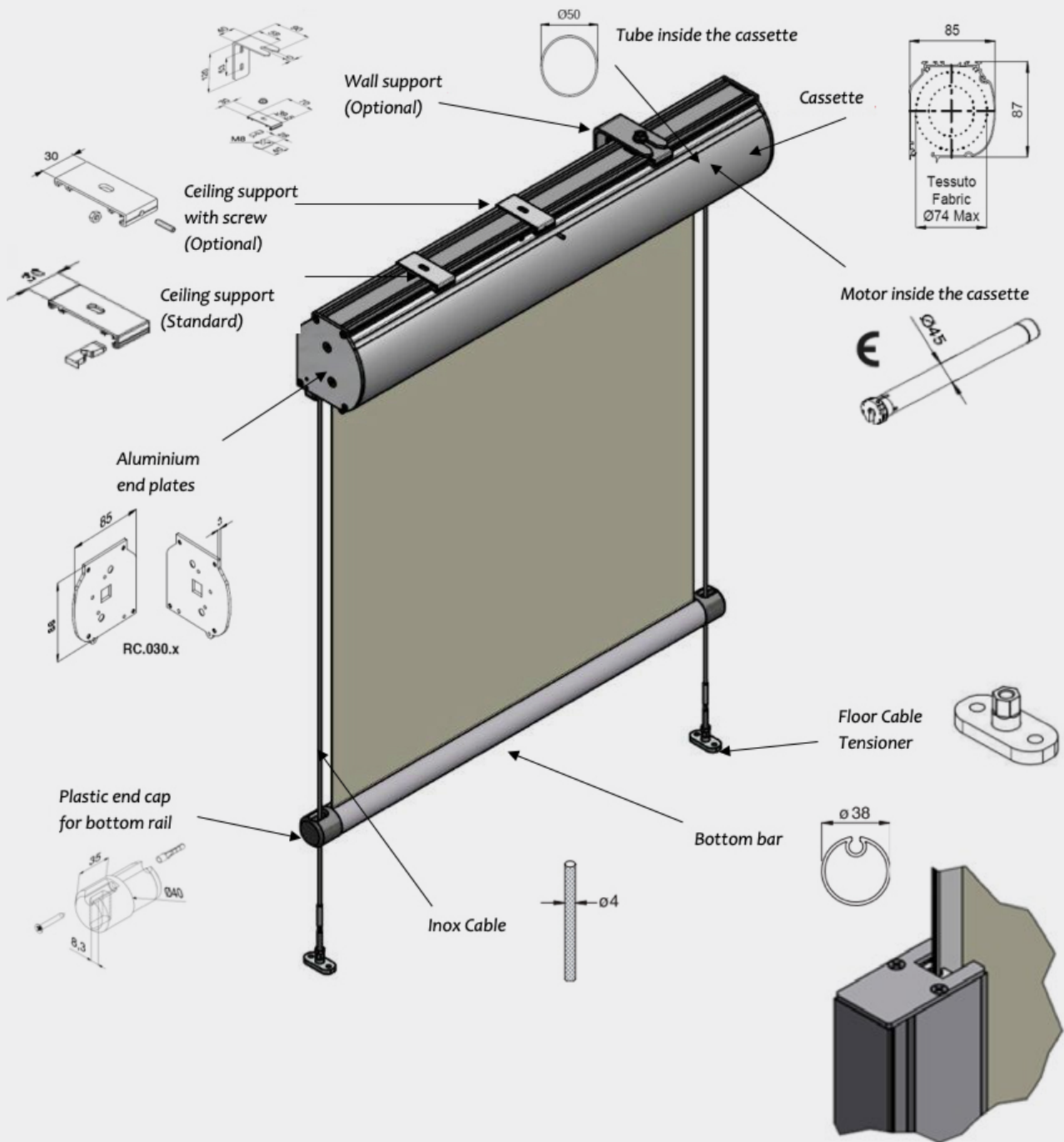
Max. size

Width 2800mm
Length 3500m
Surface 10m²

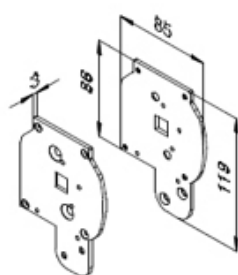
Fabrics

Sombra Tensile
Diffusor
Bespoke

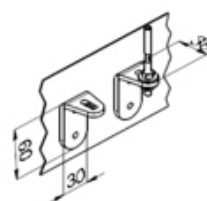
EX83 Specifications



Options



End Plates for lateral fixing



Wall/Lateral Brackets



EX110

Heavy duty cassetted roller blind for external applications. Manufactured with an extruded aluminium two part head box with choice of 4mm steel side guide wires or the z-lock side channels for black out performance. Cassette size is 110mm.



Standard

Fixed Crank
Side Guide Wires

Optional

Detachable Crank
240v Hardwired Wall Switch
240v Remote Control
Z-lock Side Channels

Warranty

5 year

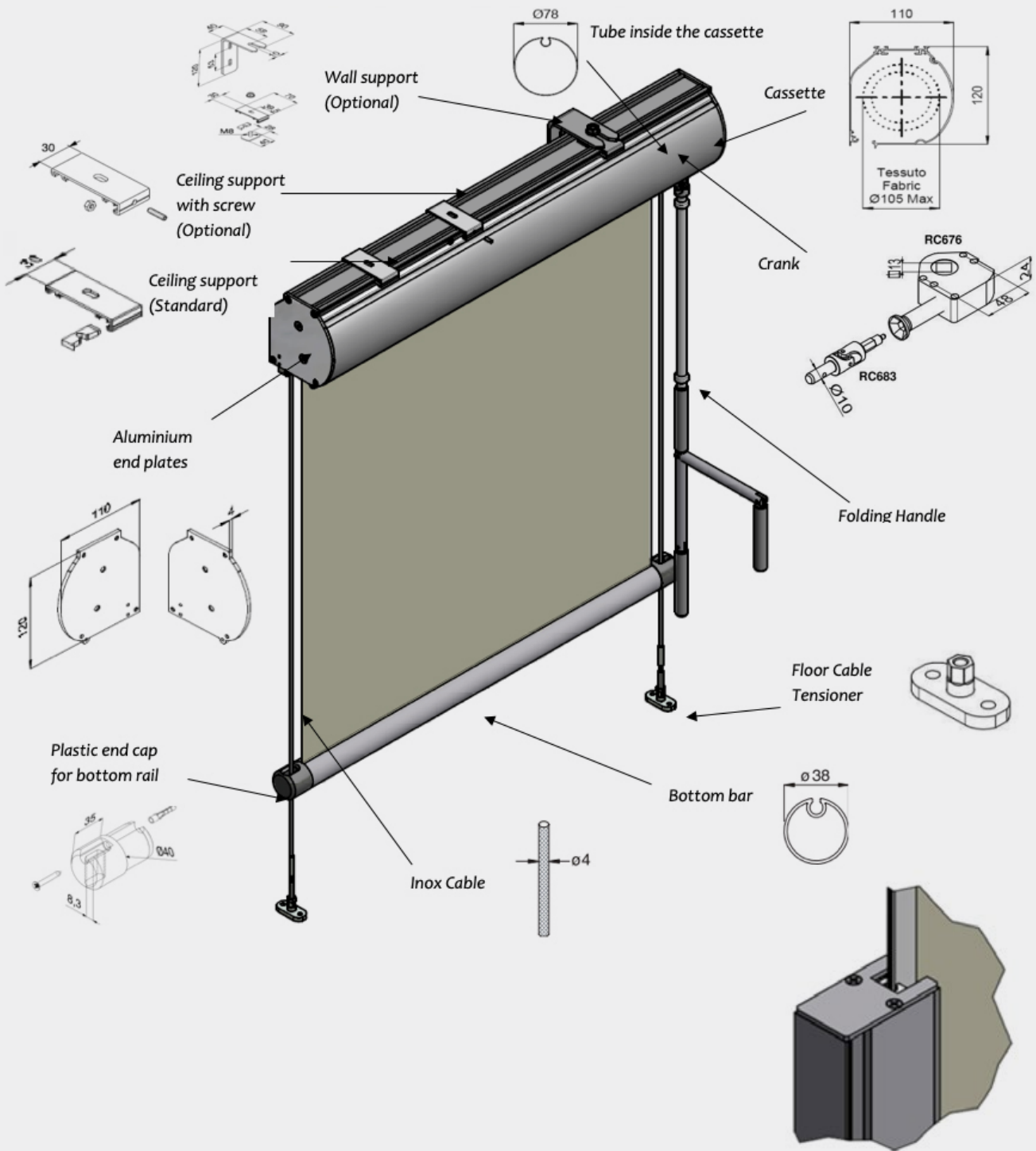
Max. size

Width 4000mm
Length 4500m
Surface 18m²

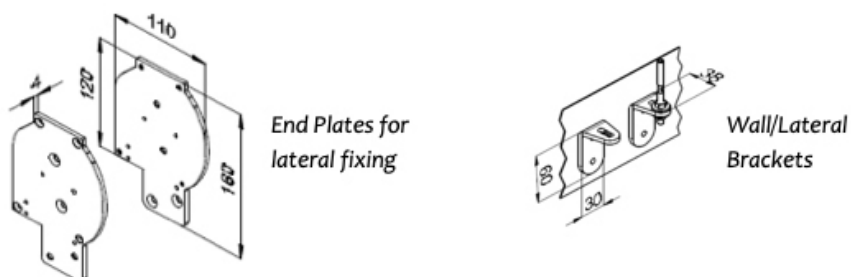
Fabrics

Sombra Tensile
Diffusor
Bespoke

EX110 Specifications



Options



EX130

Heavy duty cassetted roller blind for external applications. Manufactured with an extruded aluminium two part head box with choice of 4mm steel side guide wires or the z-lock side channels for black out performance. Cassette size is 130mm.



Standard

Fixed Crank
Side Guide Wires

Optional

Detachable Crank
240v Hardwired Wall Switch
240v Remote Control
Z-lock Side Channels

Warranty

5 year

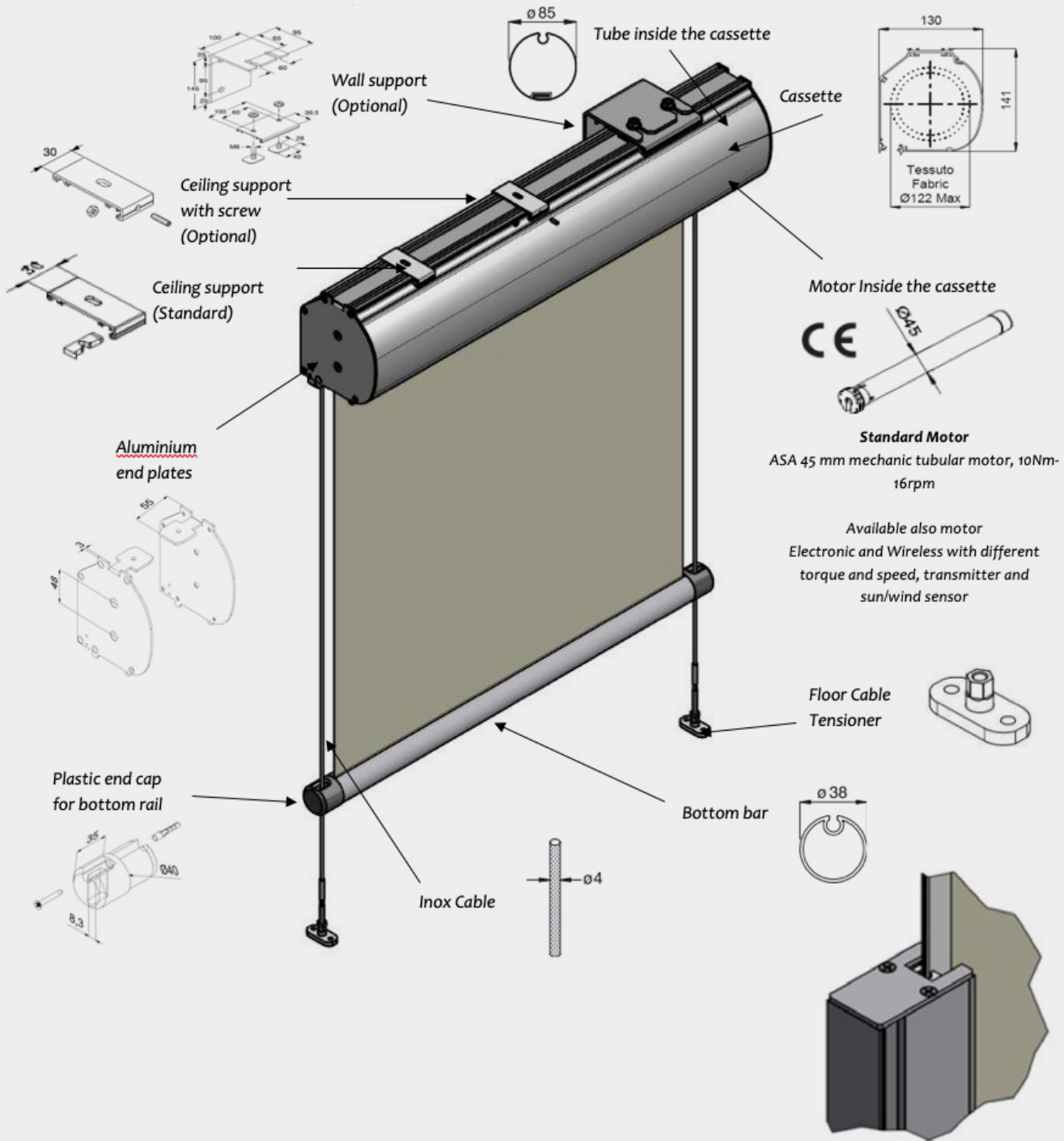
Max. size

Width 4500mm
Length 5000m
Surface 22.5m²

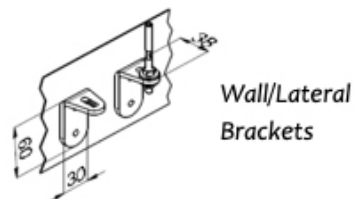
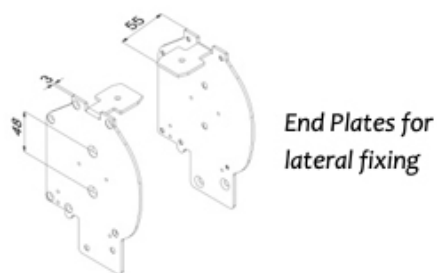
Fabrics

Sombra Tensile
Diffusor
Bespoke

130mm Guidewire Specifications



Options





Fabrics

Select your preferred fabric,
with options to suit every requirement.



- Rs** Percentage of Solar/Heat reflected by fabric
- Ts** Percentage of Solar/Heat transmitted by fabric
- As** Percentage of Solar/Heat absorbed by fabric
- Rv** Percentage of Visual/Light reflected by fabric
- Tv** Percentage of Visual/Light transmitted by fabric
- Av** Percentage of Visual/Light absorbed by fabric
- S-C** Solar heat gain with blind at the window divided by solar heat gain with no blind at window. The lower the shading coefficient, the higher the efficiency of the fabric.

Artisan	66
Artisan+	68
Artisan Black-Out	70
Diffusor	72
Sombra Eco	74
Sombra Tensile	76
Bespoke	78



Artisan

Artisan is a Cool-toned range of neutral hues which creates a simple, classic foundation for you to add your personal style. This durable textured dim-out fabric is treated with British Standard fire retardant (FR) coating and is designed to provide dim-out shading with privacy.

Function

Dim-Out (Privacy)

Composition

100% Polyester

Cleaning

Wipe with damp sponge; Do not wash; Do not tumble dry; Do not dry clean; Do not iron

Roll width

2m/2.5m

Weight

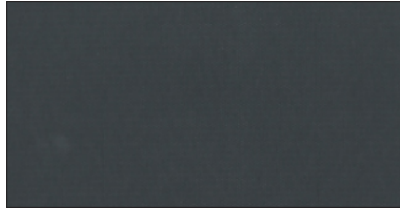
280g/m² approx

FR

EN 13773: 2003 Class 1; BS5867 – 2, Type B: 2008 for fire retardancy when tested in accordance with BS5438: 1989



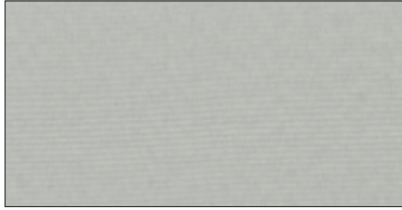
728 Coal



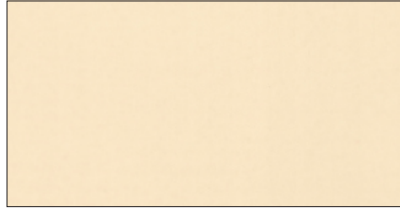
727 Anvil



726 Pewter



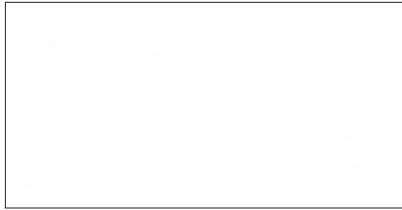
715 Clay



714 Flax



712 Vellum



711 Parchment

Fabric	Colour	Roll width	Heat		Light		S-C
			Ts	Rs	Tv	Rv	
Artisan	711 Parchment	2m, 2.5m	22	72	19	81	0.30
Artisan	712 Vellum	2m, 2.5m	26	64	24	74	0.38
Artisan	714 Flax	2m, 2.5m	16	46	3	35	0.56
Artisan	715 Clay	2m, 2.5m	19	41	9	39	0.60
Artisan	726 Pewter	2m, 2.5m	20	31	4	16	0.70
Artisan	727 Anvil	2m, 2.5m	13	32	0	12	0.69
Artisan	728 Coal	2m, 2.5m	12	23	0	6	0.78



Artisan+

Artisan+ is an extension to the standard Artisan range. With a slightly different texture this range provides a vibrant colour palette for when the blinds are required to stand out as a design feature in the room. This tough and durable textured dim-out fabric is treated with British Standard fire retardant (FR) coating and is designed to provide dim-out shading with privacy.

Function

Dim-Out (Privacy)

Composition

100% Polyester

Cleaning

Do not soak. Clean by gently wiping with a sponge

Roll width

2m/2.5m/3m

Weight

228g/m² approx

FR

FR: BS 5867-2 : 2008 Type B
in accordance with BS EN ISO
15025: 2002 Procedure A

Thickness

0.36mm +/- 0.05mm



Chocolate



Anvil



Kiwi



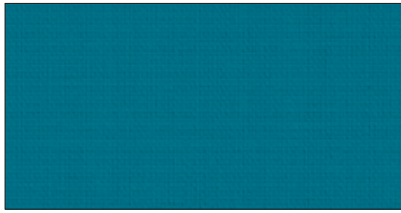
Rayon



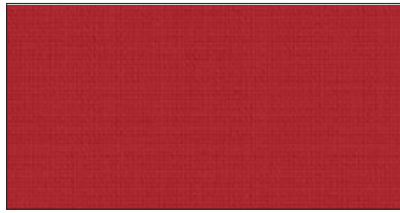
Glade



Red



Escape



Morello



Cyan



Mulberry



Lapis



Atmosphere



Navy



Batik

Fabric	Colour	Roll width	Heat			Rv	Light		S-C
			Rs	Ts	As		Tv	Av	
Artisan+	Chocolate	2m, 2.5m, 3m	18%	0%	81%	18%	0%	81%	0.66
Artisan+	Luna	2m, 2.5m, 3m	63%	11%	27%	70%	8%	22%	0.42
Artisan+	Rayon	2m, 2.5m, 3m	53%	12%	35%	30%	2%	67%	0.46
Artisan+	Red	2m, 2.5m, 3m	47%	12%	41%	16%	1%	83%	0.52
Artisan+	Morello	2m, 2.5m, 3m	37%	6%	57%	12%	0%	88%	0.52
Artisan+	Mulberry	2m, 2.5m, 3m	18%	0%	81%	11%	0%	89%	0.58
Artisan+	Atmosphere	2m, 2.5m, 3m	55%	7%	38%	50%	2%	47%	0.45
Artisan+	Batik	2m, 2.5m, 3m	61%	9%	30%	52%	3%	46%	0.43
Artisan+	Kiwi	2m, 2.5m, 3m	48%	8%	44%	44%	2%	54%	0.47
Artisan+	Glade	2m, 2.5m, 3m	32%	6%	63%	17%	0%	83%	0.53
Artisan+	Escape	2m, 2.5m, 3m	36%	5%	58%	19%	0%	81%	0.52
Artisan+	Cyan	2m, 2.5m, 3m	40%	8%	52%	20%	1%	80%	0.55
Artisan+	Lapis	2m, 2.5m, 3m	18%	0%	82%	12%	0%	88%	0.58
Artisan+	Navy	2m, 2.5m, 3m	9%	0%	91%	6%	0%	94%	0.71



Artisan Black-Out

Our Artisan Black-Out fabrics offer the same touch and durable fire retardant (FR) performance as the standard Artisan range, but with a smooth PVC black-out coating on the reverse side. This produces a luxurious soft finish at the same time as full black-out performance.

Function

Black-Out

Composition

100% Polyester

Cleaning

Do not soak. Clean by gently wiping with a sponge

Roll Width

2.7m

Weight

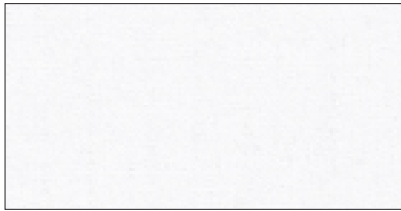
255g/m²

FR

DIN 4102 B1 German Standard

Thickness

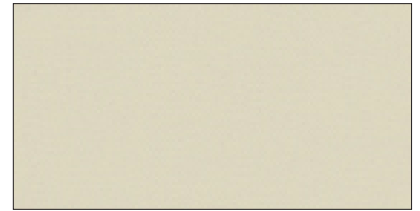
0.35mm +/- 0.05mm



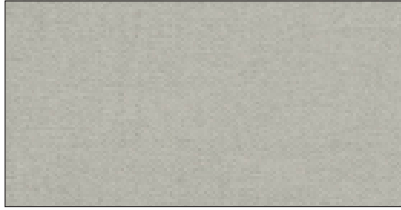
100 Pearl White



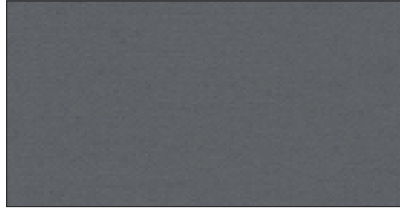
002 Vanilla



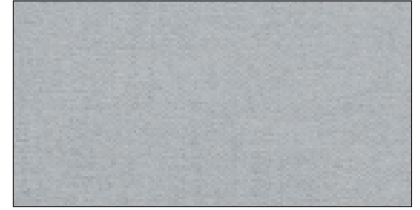
003 Cream



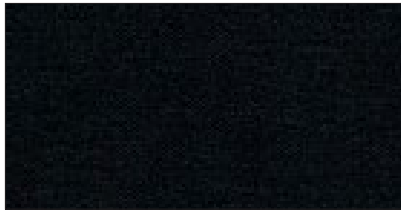
012 Mid Grey



013 Dark Grey



014 Light Grey



015 Black

Fabric	Colour	Roll width	Heat			Light		
			Rs	Ts	As	Rv	Tv	Av
Artisan Blackout	100 Pearl White	2.7m	67%	0%	33%	78%	0%	22%
Artisan Blackout	002 Vanilla	2.7m	62%	0%	38%	73%	0%	27%
Artisan Blackout	003 Cream	2.7m	48%	0%	52%	54%	0%	46%
Artisan Blackout	012 Mid Grey	2.7m	34%	0%	66%	35%	0%	65%
Artisan Blackout	013 Dark Grey	2.7m	9%	0%	91%	9%	0%	91%
Artisan Blackout	014 Light Grey	2.7m	32%	0%	68%	34%	0%	66%
Artisan Blackout	015 Black	2.7m	5%	0%	95%	5%	0%	95%



Diffusor

Our Diffusor range is a more technical screen fabric designed to provide shading and privacy, without losing the benefit of natural light. Made from thin lightweight yarns, woven into a full basket weave, Diffusor will reduce solar glare without fully blocking light. Diffusor comes in a range of neutral colours, with openness factors ranging from 1% to 5%.

Function

Screen (Glare, heat gain & UV control). Bacterial and fungal resistance.

Composition

75% PVC 25% Polyester

Cleaning

Wipeable

Roll Width

2m/2.5m/3m

Weight

1% 520g/m², 3% 445g/m², 5% 415g/m². (+/-5%)

FR

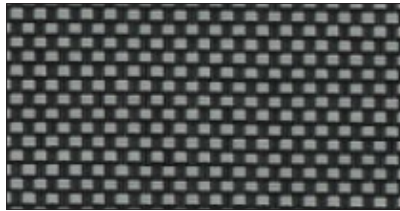
M1, B1 (DIN 4102-1).
BS5867 Type B.

Thickness

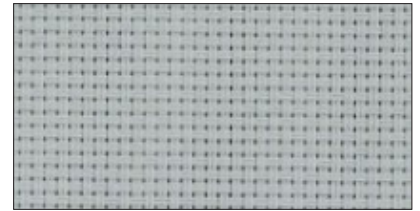
1% 0.57mm, 3% 0.60mm, 5% 0.60mm (+/- 0.05)



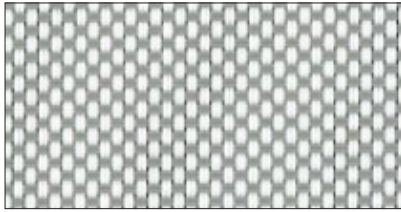
Black



Black-Grey



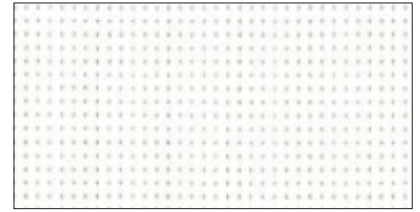
Grey



White/Grey



White/Beige



White

Fabric	Colour	Roll width	Heat			Light
			Ts	Rs	As	
Diffusor 1%	Black	2.5-3.0m	3.0%	5.0%	92.0%	3.0%
Diffusor 1%	Black/Grey	2.5-3.0m	0.0%	7.0%	93.0%	0.0%
Diffusor 1%	Grey	2.5-3.0m	4.0%	34.0%	62.0%	1.0%
Diffusor 1%	White/Grey	2.5-3.0m	8.0%	59.0%	33.0%	4.0%
Diffusor 1%	White/Beige	2.5-3.0m	13.0%	66.0%	21.0%	8.0%
Diffusor 1%	White	2.5-3.0m	9.0%	76.0%	15.0%	4.0%
Diffusor 3%	Black	2.5-3.0m	5.0%	4.0%	91.0%	4.0%
Diffusor 3%	Black/Grey	2.5-3.0m	5.0%	9.0%	86.0%	5.0%
Diffusor 3%	Grey	2.5-3.0m	8.0%	32.0%	60.0%	6.0%
Diffusor 3%	White/Grey	2.5-3.0m	8.0%	38.0%	54.0%	7.0%
Diffusor 3%	White/Beige	2.5-3.0m	16.0%	62.0%	22.0%	15.0%
Diffusor 3%	White	2.5-3.0m	19.0%	71.0%	10.0%	16.0%
Diffusor 5%	Black	2.5-3.0m	6.0%	4.0%	90.0%	6.0%
Diffusor 5%	Black/Grey	2.5-3.0m	9.0%	8.0%	83.0%	9.0%
Diffusor 5%	Grey	2.5-3.0m	11.0%	30.0%	59.0%	7.0%
Diffusor 5%	White/Grey	2.5-3.0m	11.0%	37.0%	52.0%	9.0%
Diffusor 5%	White/Beige	2.5-3.0m	19.0%	57.0%	24.0%	15.0%
Diffusor 5%	White	2.5-3.0m	25.0%	65.0%	10.0%	20.0%



Sombra Eco

Our Sombra Eco fabrics are exceptionally durable and stain-resistant, due to their wipeable PVC finish. This tough black-out fabric is available in a range of popular colours to suit any commercial/residential or educational environment, and is fire retardant (FR) to the relevant British Standard.

Function

Black-Out (PVC Finish)

Composition

72% / 28% Glassfibre

Cleaning

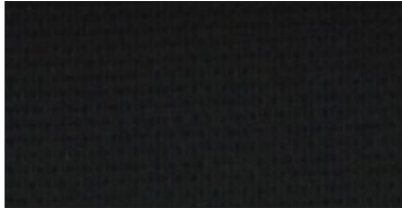
Wipe Clean

Weight

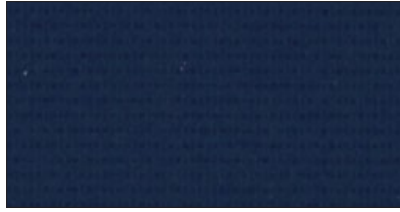
425g/m² approx

FR

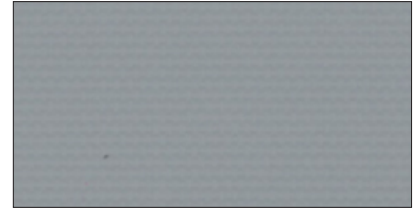
BS:5867:1980 Part 2 Type B



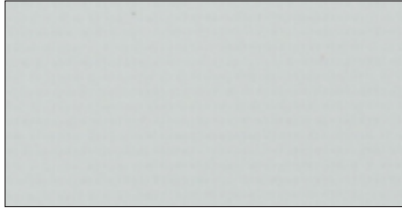
11 Ebony



08 Navy



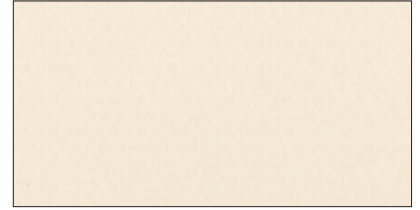
05 Thunder Grey



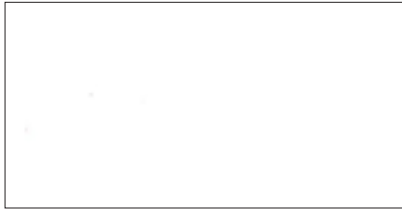
04 Dove Grey



02 Flax



03 Sandcastle



01 White

Fabric	Colour	Roll width	Heat		Light	
			T	R	T	R
Sombra Eco	01 White	1.83m	1%	56%	0%	78%
Sombra Eco	02 Flax	1.83m	0%	59%	0%	69%
Sombra Eco	03 Sandcastle	1.83m	0%	62%	0%	68%
Sombra Eco	04 Dove Grey	1.83m	1%	39%	0%	56%
Sombra Eco	05 Thunder Grey	1.83m	0%	29%	0%	n/a
Sombra Eco	08 Navy	1.83m	0%	9%	0%	6%
Sombra Eco	11 Black	1.83m	0%	4%	0%	4%



Sombra Tensile

Sombra Tensile is an advance on the standard “Sombra Eco” range. This fabric offers the same wipeable PVC black-out finish but is substantially thicker. This is specifically for use with our tension rooflight and external systems.

Function

Black-Out (Tension)

Roll Width

2.5m/3m

Composition

High Strength Polyester + PVC

Weight

800g/m²

Cleaning

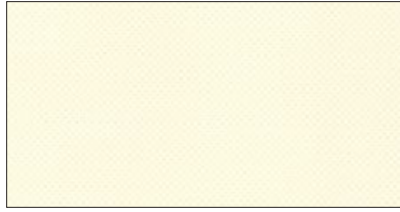
Wipe Clean

FR

C2



908 White



112 Cream



717 Grey



Bespoke

Need a specific fabric to deliver on specification? We understand your pain here. Buroshade offers a hardware and manufacture only service so you can supply a fabric from any manufacturer in the world and we will manufacture the finished product using our high quality range of systems, packaged and delivered to your door.

Process

- 1** Confirm available roll widths
- 2** We confirm linear metres required
- 3** Order your fabric and deliver direct to our UK facility
- 4** We manufacturer using your fabric
- 5** Finished blinds delivered to your door





+
**many
more**



Find your competitive advantage.

**To start working with buroshade
please contact our sales team for
trade only pricing:**

Email: sales@buroshade.com

Call: 0333 050 9885

