

C110

Room darkening roller blind. This system is commonly used for studios, conference rooms, IT rooms or science laboratories. The C110 is manufactured with an extruded aluminium two part head box which comes in a 110mm cassette size. The roller tube for this system is 78mm reinforced extruded aluminium tube.



Standard

Fixed Crank
Side Channels
White RAL9016 Hardware

Optional

Detachable Crank
240v Hardwired Wall Switch
240v Remote Control
Battery
No Side Channels
Black RAL9005 Hardware
Grey Anodised Hardware

Warranty

5 year

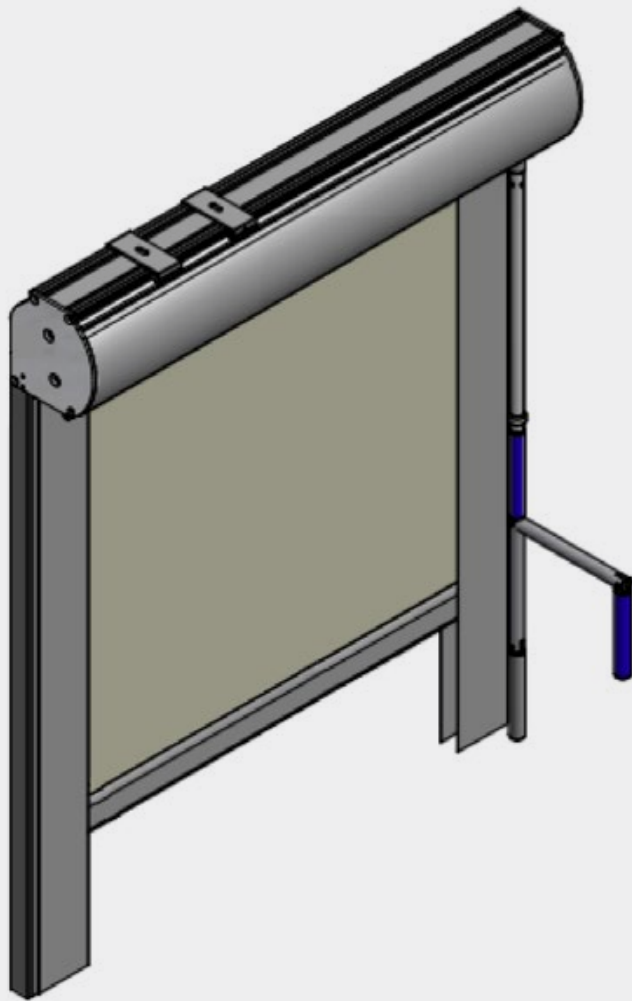
Max. size

Width 4000mm
Drop 3200mm (4500mm
without side channels
Surface 18m²

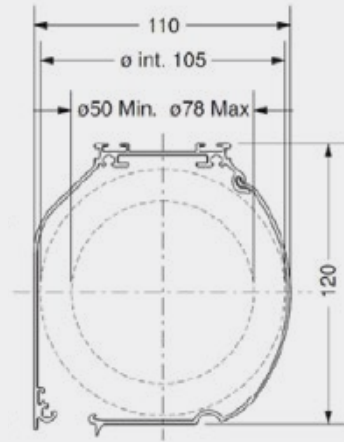
Fabrics

Artisan
Artisan+
Artisan Black-Out
Sombra Eco
Diffusor
Bespoke

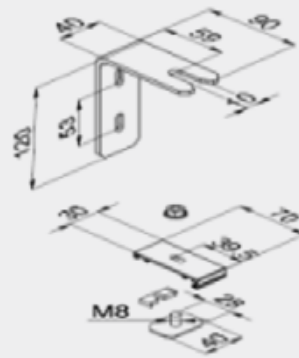
C110 Specifications



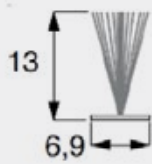
Headbox



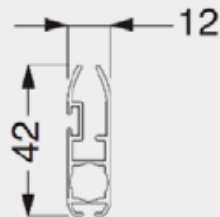
Brackets



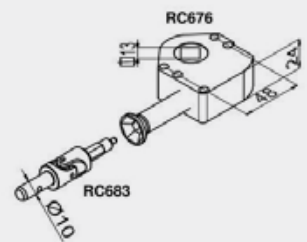
Brush Strip



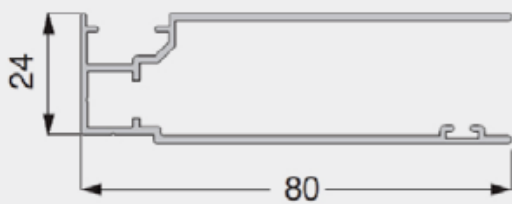
Bottom Bar



Crank



Side Channel



Bracket Detail

