

# EX110

**Heavy duty cassetted roller blind for external applications. Manufactured with an extruded aluminium two part head box with choice of 4mm steel side guide wires or the z-lock side channels for black out performance. Cassette size is 110mm.**



---

## Standard

Fixed Crank  
Side Guide Wires

---

## Optional

Detachable Crank  
240v Hardwired Wall Switch  
240v Remote Control  
Z-lock Side Channels

---

## Warranty

5 year

---

## Max. size

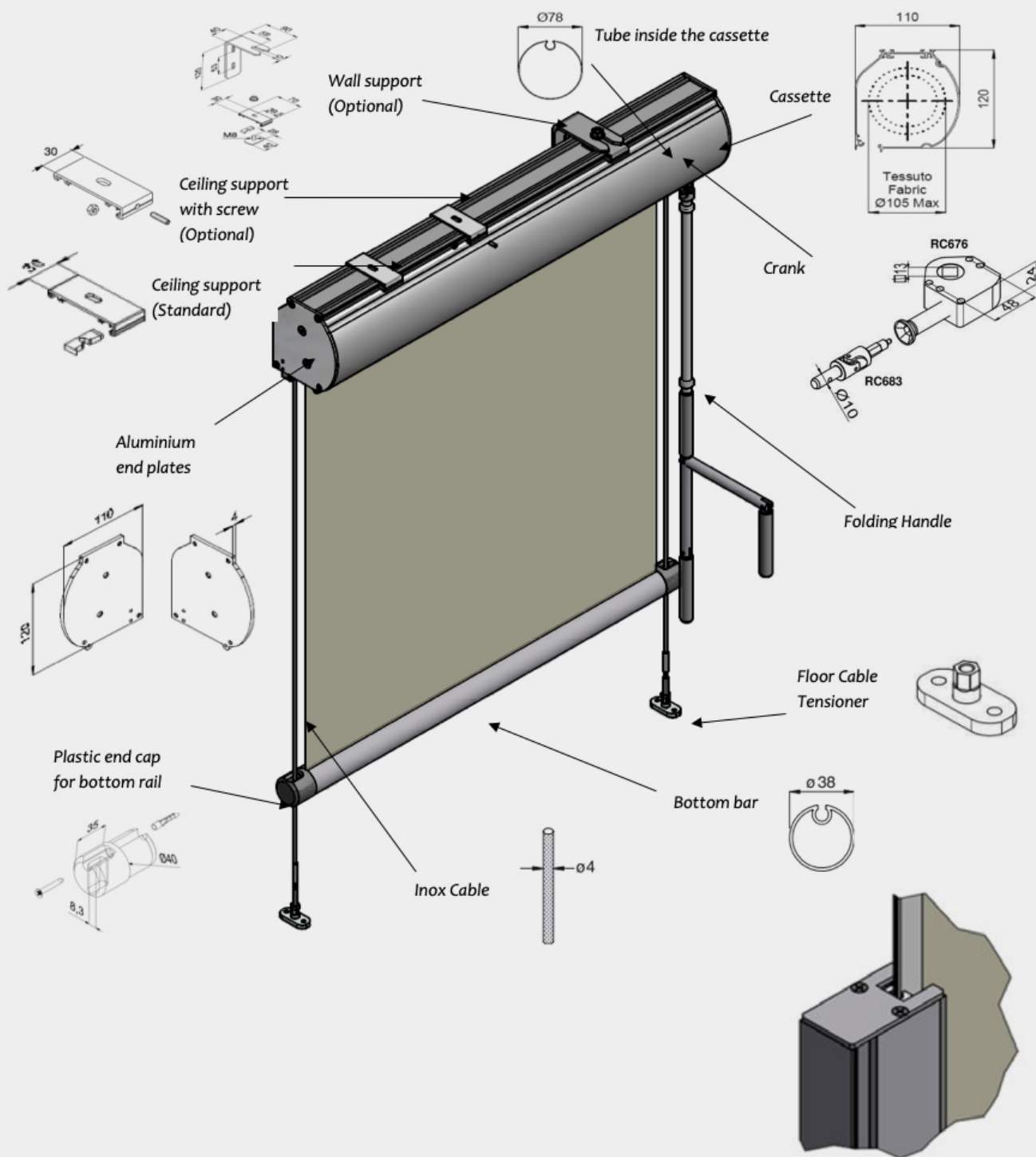
Width 4000mm  
Length 4500m  
Surface 18m<sup>2</sup>

---

## Fabrics

Sombra Tensile  
Diffusor  
Bespoke

## EX110 Specifications



## Options

