

SC45

The Semi-Cassette (SC) System is a sleek roller blind installed inside a curved aluminium two part profile. At the heart of this system is the durable R300 mechanism with a 45mm extruded aluminium roller tube. This system is perfect for the aesthetical requirement where roller blinds are required to blend into the surroundings SC45 is supplied pre-installed inside the two part profile so can be installed in one piece for maximum efficiency.



Standard

Nylon Chain
White RAL9016 Hardware

Optional

Metal Chain
240v Hardwired Wall Switch
240v Remote Control
Battery
Black RAL9005 Hardware
Grey Anodised Hardware

Warranty

5 year

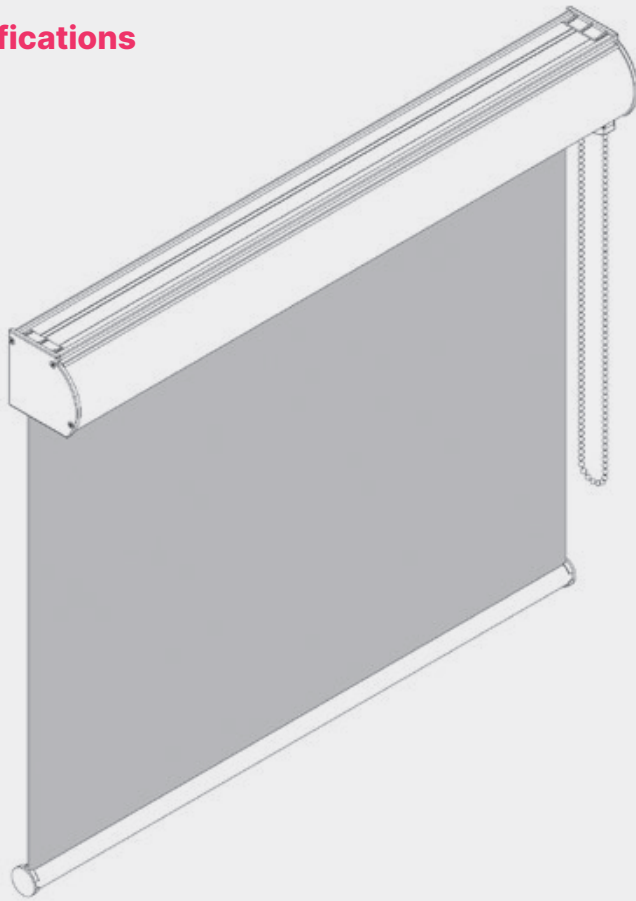
Max. size

Width 2000mm
Drop 2500mm
Surface 4m²

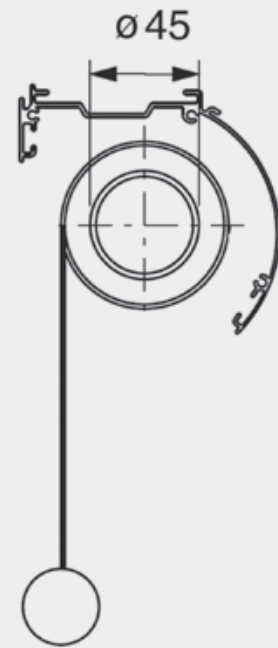
Fabrics

Artisan
Artisan+
Artisan Black-Out
Sombra Eco
Diffusor
Bespoke

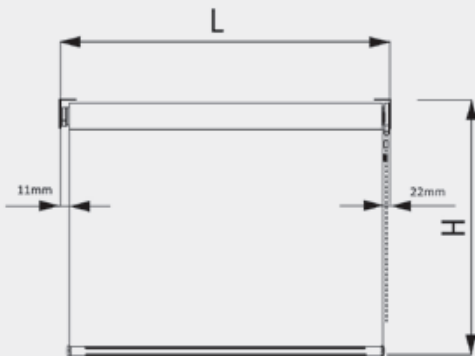
SC45 Specifications



Fixing



Light Gap



Profile size

