

ZR130

The ZR range is an upgrade of the CR range including the specialist “Z” Locking side channels to lock the fabric into the channel. ZR130 is manufactured with an extruded aluminium two part head box which comes in a 130mm cassette size. This product is a step up from the standard side channel system and is essential where there is likely to be excessive air movement.



Standard

240v Hardwired Wall Switch
Z-lock Side Channels
White RAL9016 Hardware

Max. size

Width 2500mm
Drop 4000mm
Surface 10m²

Optional

240v Remote Control
Black RAL9005 Hardware
Grey Anodised Hardware

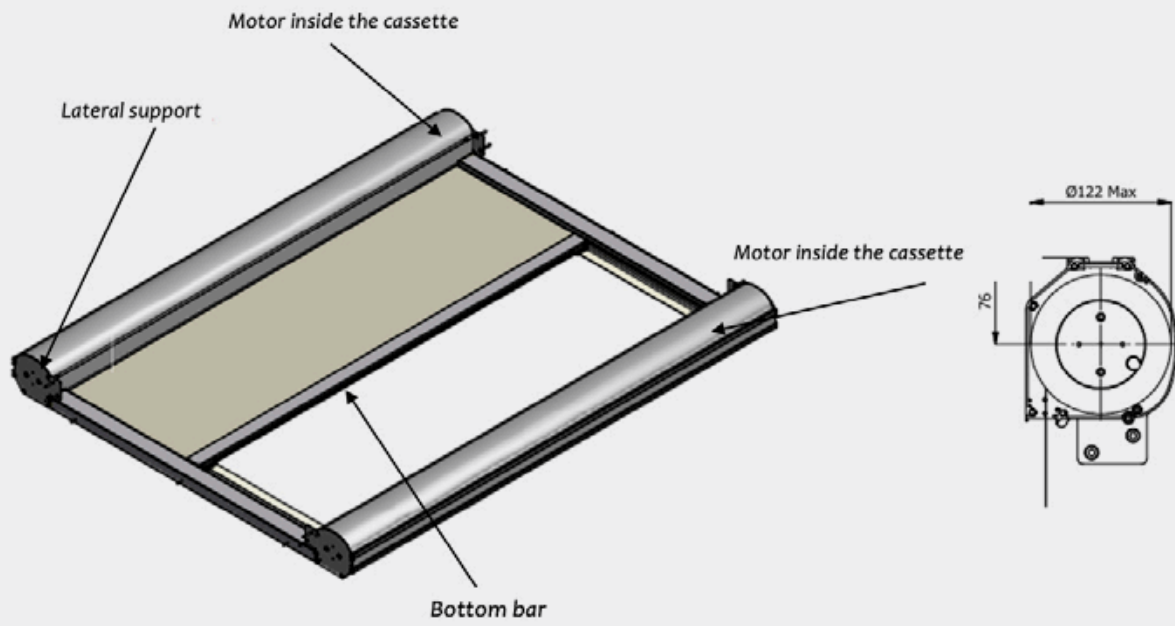
Fabrics

Sombra Tensile
Diffusor
Bespoke

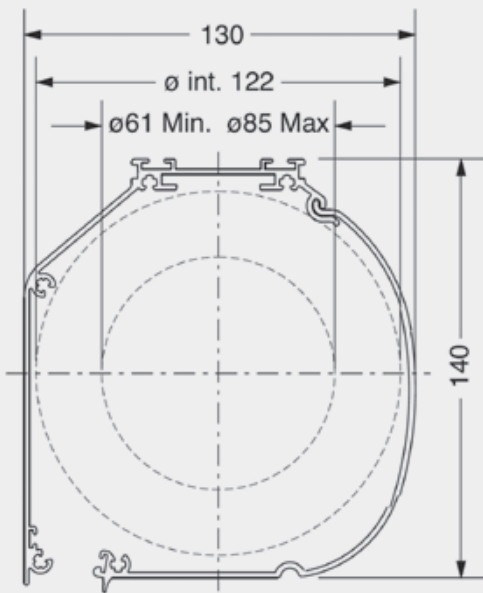
Warranty

5 year

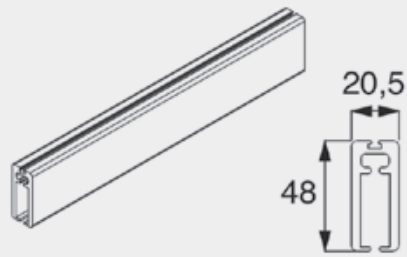
ZR130 Specifications



Head box



Bottom Bar



Side Channels

