

Buro R400 System

Buro R400

The R400 mechanism has a unique wear-resistant steel core instead of the standard plastic core used on most roller blinds. Due to this feature the R400 comes with a 25 year warranty, providing a serious enhancement in quality over the industry standard. The universal brackets incorporate screw cover caps for a clean visual appearance. The mechanism is geared with a ratio of 1:1.5 to give a lighter and smoother operation.



Standard

Nylon Chain

Optional

Metal Chain

Fixed Crank

Detachable Crank

240v Hardwired Wall Switch

240v Remote Control

Battery

Warranty

25 year

Max. size

Width 3000mm

Drop 3500mm

Surface 10m²

Tube size

43mm

Fabrics

Artisan

Artisan+

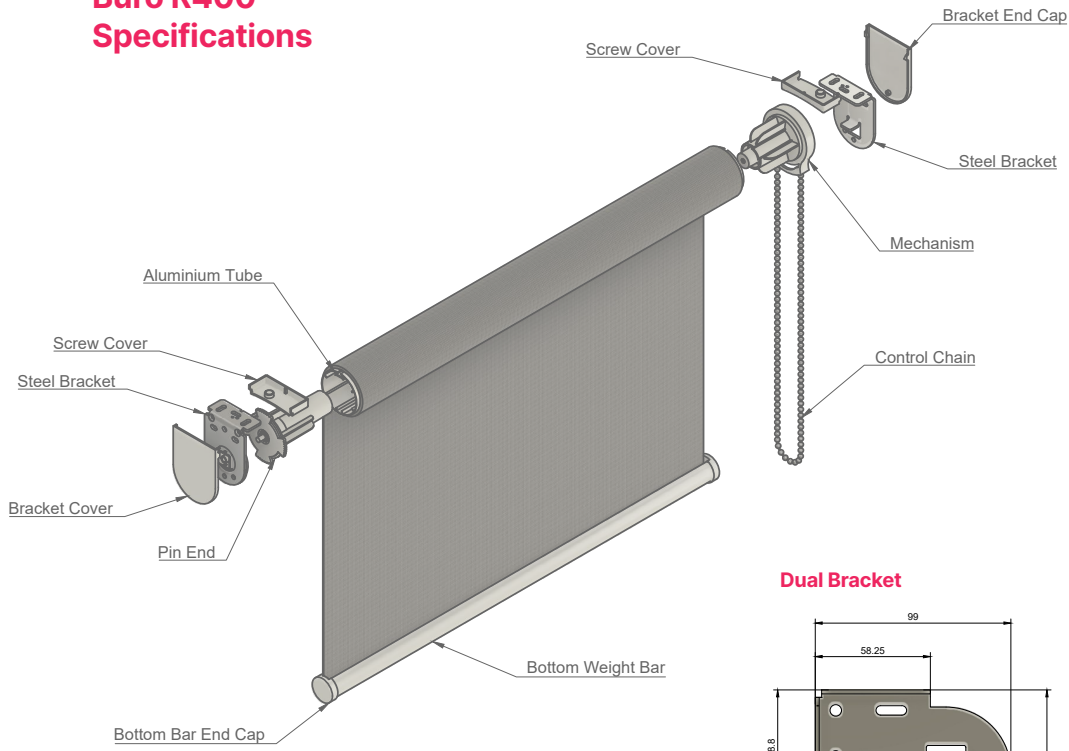
Artisan Black-Out

Sombra Eco

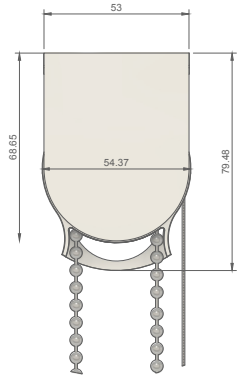
Diffusor

Bespoke

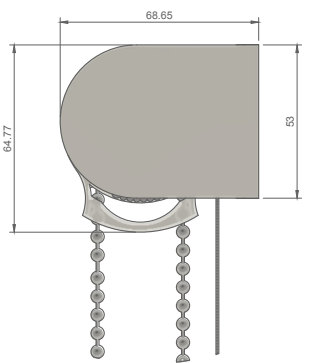
Buro R400 Specifications



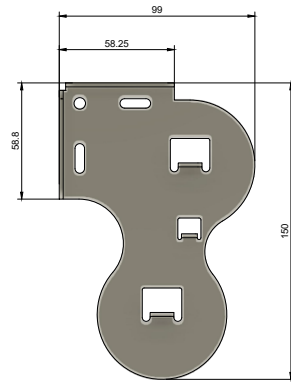
Top Fix



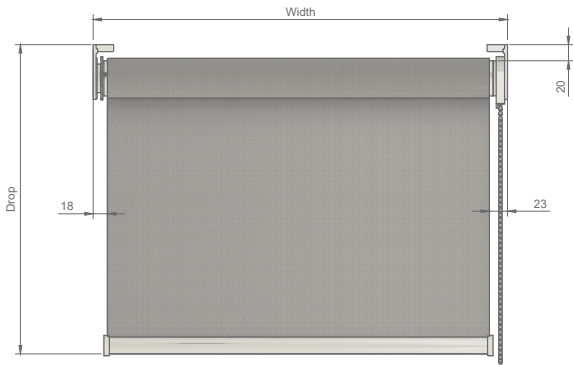
Face Fix



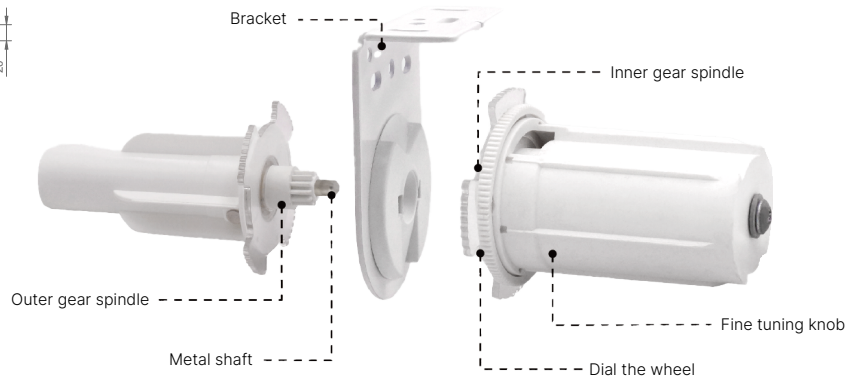
Dual Bracket



Light Gap



Coupler



Discover the difference. Steel Core.

Wear-resistant “Steel Core” means the centre shaft of the mechanism, the part of the clutch that stops the blind unrolling, is actually manufactured from steel. This gives the mechanism increased longevity compared to regular plastic core mechanisms. That is why we confidently offer a 25 year warranty on R400.

We guarantee product quality.

Call: 0333 050 9885

Visit: buroshade.com