










**Product
catalogue**

**Roller blinds.
It's what we do.**

Product function key

-  Chain
-  Fixed Crank
-  Detachable Crank
-  240v Hardwired Wall Switch
-  240v Remote Control
-  Battery
-  Side Channels
-  Side Guide Wires
-  Z-lock Side Channels



Contents

	Roller Blinds	8		Horizontal Rooflight Blinds	34
	32MM	10		CRX	36
	40MM	12		CR83	38
	R400	24		CR110	40
	Eclipse Fascia	16		TR85	42
	Large Systems	18		Fabrics	44
	R500	20		Artisan	46
	R600	22		Nightshade	48
	R700	24		Diffusor	50
	Cassette Roller Blinds	26		Sombra Eco	52
	C83	28		Sombra Tensile	54
	C110	30		Wholesale	56
	C130	32		Delivery & Fast Track Prices	58



Roller blinds – it's what we do. We exclusively supply and manufacture for trade partners. What sets us apart? We're all about focus. Our infrastructure, supply chain, and team are dedicated to the world of 'Roller Blinds.' This commitment allows us to deliver exceptional quality in a more competitive manner, giving your business the edge.



Barry Woodward
General Manager



Dlovan Askar
Business Development



Alex Peck
Production Supervisor



Tina Wheat
Office Manager



Brook South
Director

Made to Measure

We work as your manufacturing partner for all roller blinds including rooflight blinds and cassette systems. We can produce manual, battery operated and electrically controlled blinds.

Fabrics Supply

Our small (focused) range of fire retardant roller blind fabrics is well stocked in the UK and will cover 80% of your requirements in a highly efficient and competitive way.

Aluminium Supply

If you are looking for a more efficient supply of aluminium profile, this is your answer. Using our own production as a test bed we are now able to provide manufacturers with a better supply chain solution for common aluminium profiles.

We give your business the edge.

Call: 0333 050 9885 Visit: buroshade.com

Packaged for your on-site efficiency

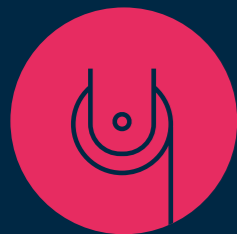
We understand that your time on site is expensive. Have you ever considered the time it takes to sort and layout blinds on site? At Buroshade we offer to package blinds in your preferred order. Boxed by area, floor, room or block. Ready for maximum efficiency on-site.

Packed in
Install Order

£2.50
per blind



Discover the difference.



Roller blinds

Simple, discreet and smart-looking by day or night, our Roller Blinds are always a popular choice and feature an extruded aluminium reinforced roller tube and high-durability components for exceptional longevity, even with heavy use.

32MM	10
40MM	12
R400	14
Eclipse Fascia	16



32mm System

The 32 system is the enduring choice for all projects where use is frequent but requirements are basic. The 32 system helps you to get the most from your budget. This system is manufactured on a 32mm extruded aluminium tube and is available in manual chain operation only.



Standard
Nylon Chain

Optional
Metal Chain

Warranty
5 year

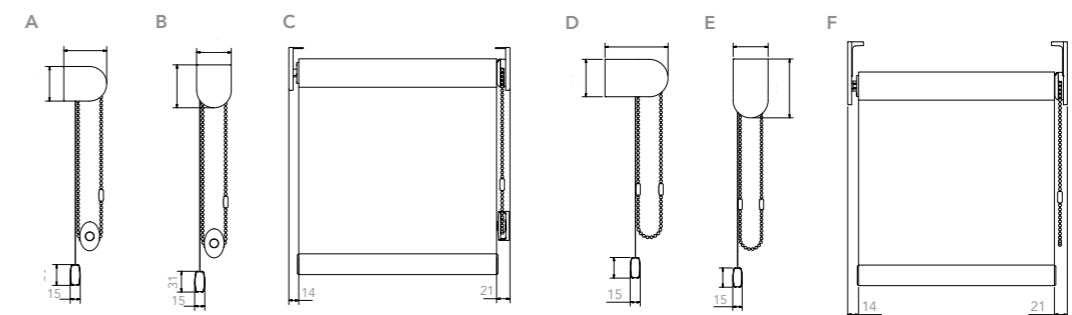
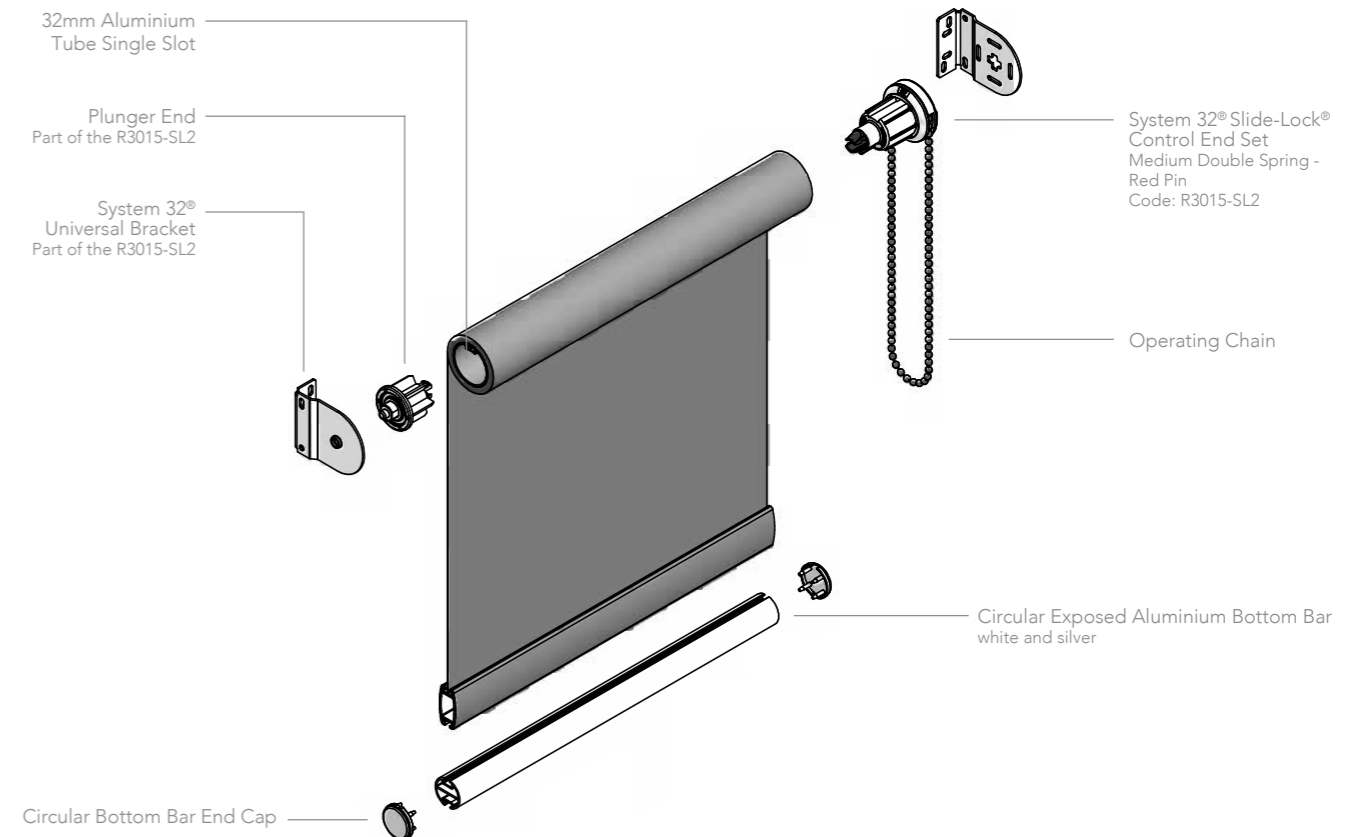
Max. size
Width 2000mm
Drop 2500mm
Surface 4.5m²

Tube size
32mm

Fabrics
Artisan
Nightshade
Sombra Eco
Diffusor
Bespoke



32mm System Specifications



- A. 32° standard metal bracket face fix & cover
- B. 32° standard metal bracket top fix & cover
- C. 32° standard metal bracket top fix front view
- D. 32° extended metal bracket face fix & cover
- E. 32° extended metal bracket top fix & cover
- F. 32° extended metal bracket top fix front view & cover



40mm System

Slightly larger than the 32mm systems, This is manufactured on a 40mm aluminium roller tube enabling larger sizes without compromising on quality.

The 40mm mechanism is a high durability mechanism engineered for longevity.



Standard

Nylon Chain

Optional

Metal Chain
Battery

Warranty

5 year

Max. size

Width 2500mm
Drop 2900mm
Surface 6.5m²

Tube size

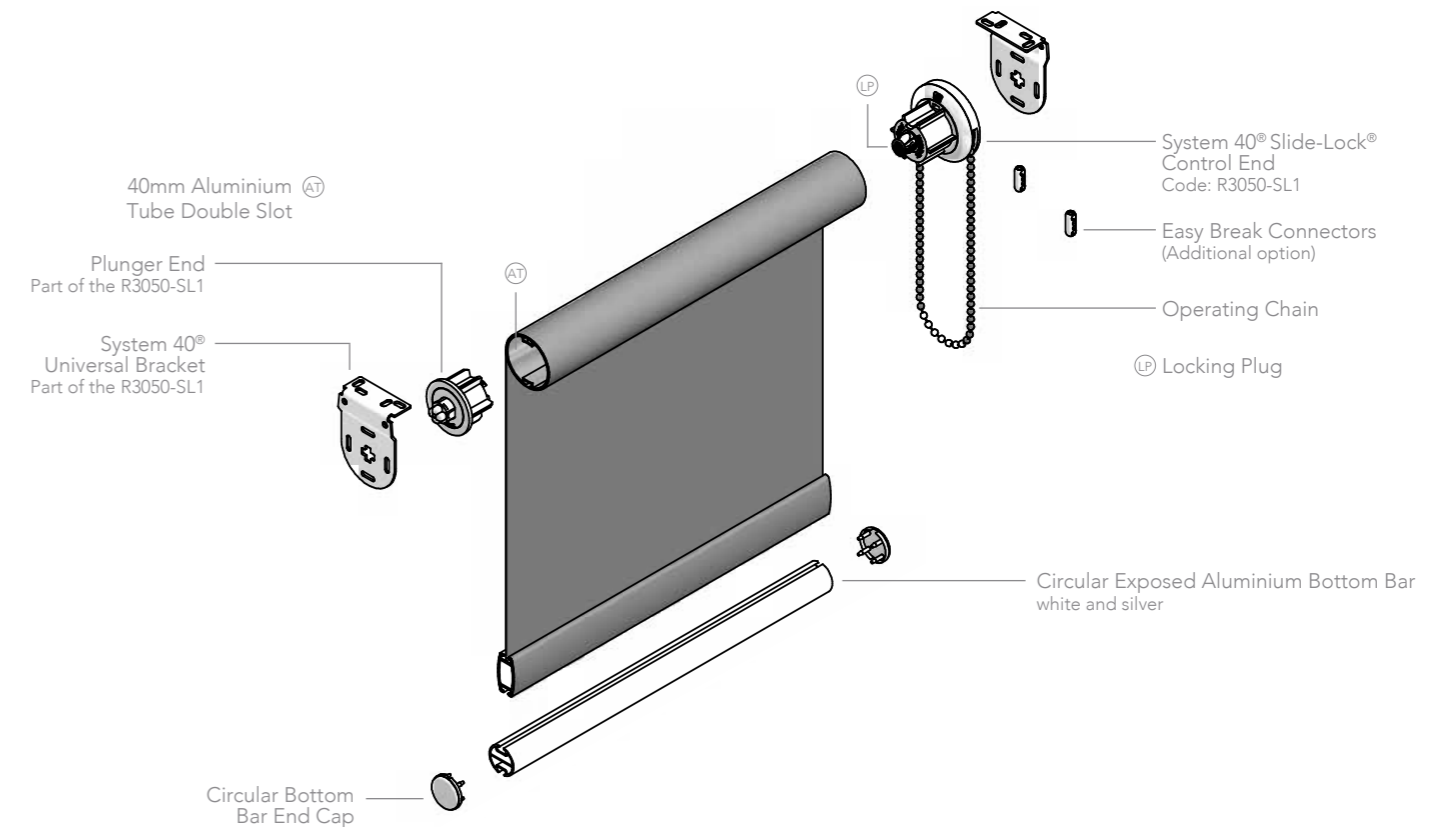
40mm

Fabrics

Artisan
Nightshade
Sombra Eco
Diffusor
Bespoke



40mm System Specifications



Buro R400

The R400 mechanism has a unique wear-resistant steel core instead of the standard plastic core used on most roller blinds. Due to this feature the R400 comes with a 25 year warranty, providing a serious enhancement in quality over the industry standard. The universal brackets incorporate screw cover caps for a clean visual appearance. The mechanism is geared with a ratio of 1:1.5 to give a lighter and smoother operation.



Standard
Nylon Chain

Optional
Metal Chain
Fixed Crank
Detachable Crank
240v Hardwired Wall Switch
240v Remote Control
Battery

Warranty
25 year

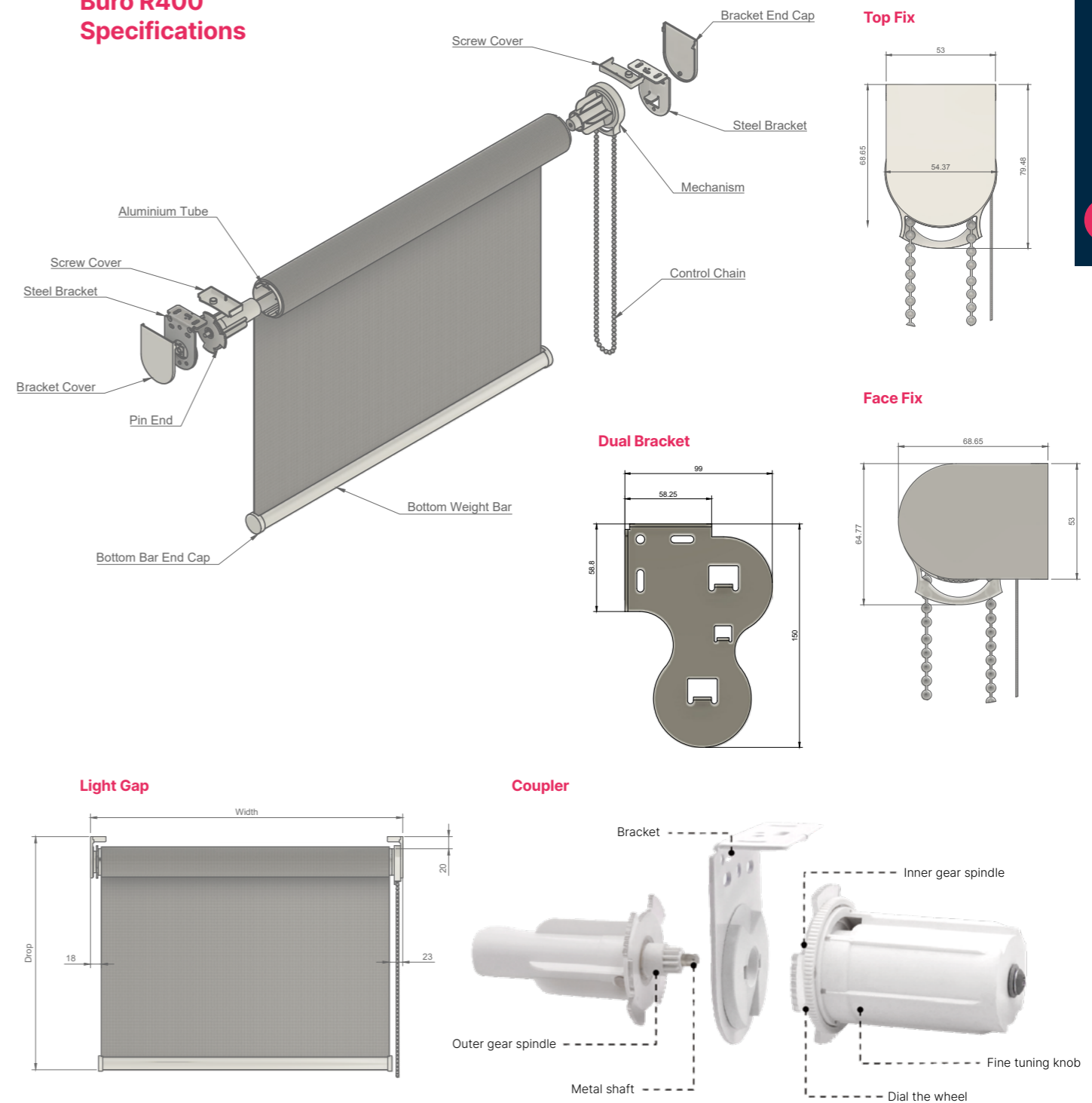
Max. size
Width 3000mm
Drop 3500mm
Surface 10m²

Tube size
43mm

Fabrics
Artisan
Artisan+
Artisan Black-Out
Sombra Eco
Diffusor
Bespoke



Buro R400 Specifications

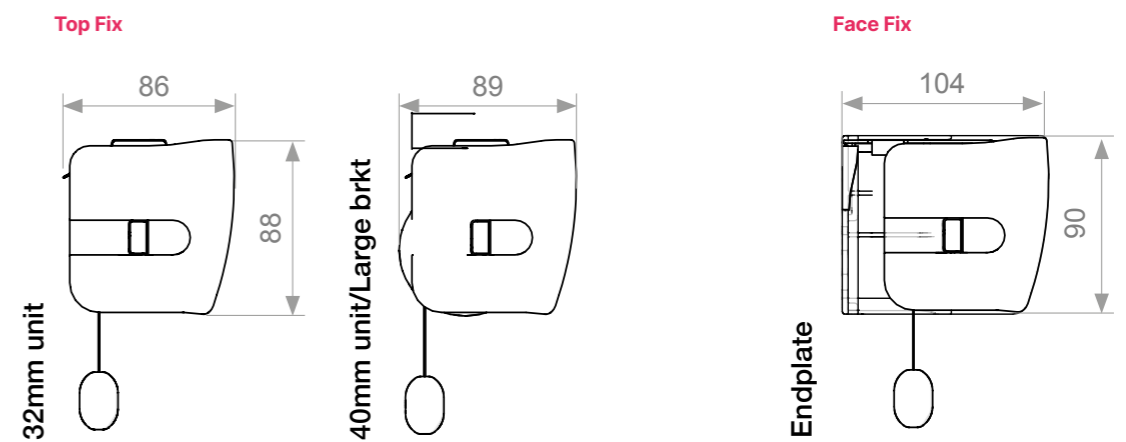
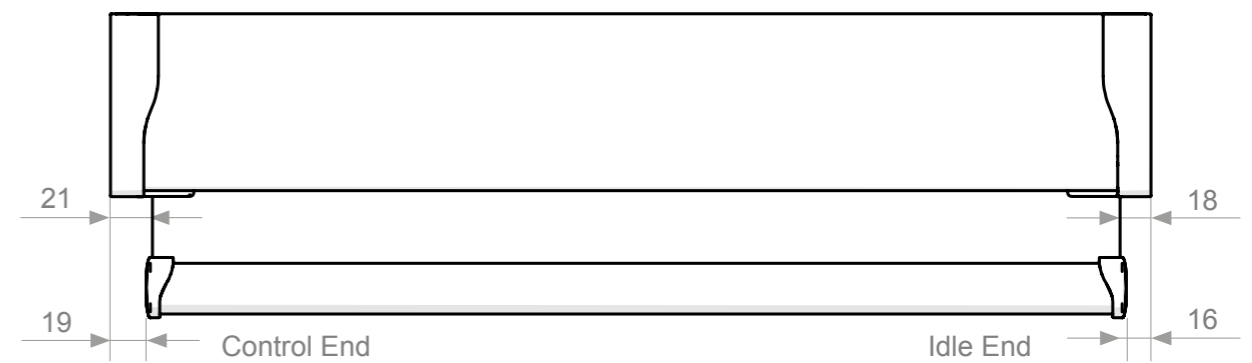
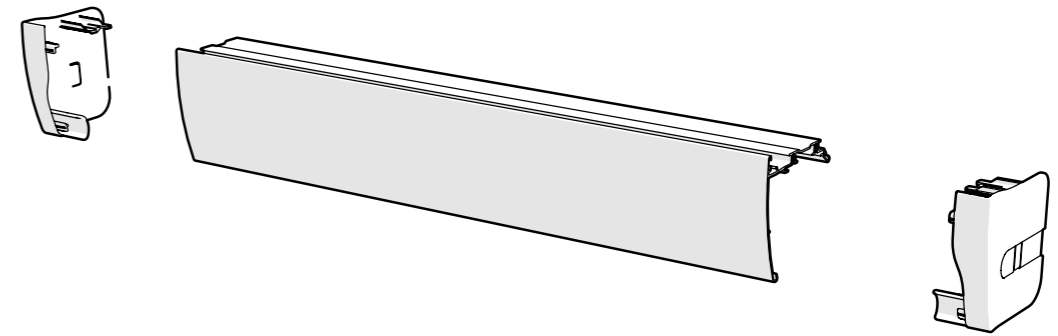


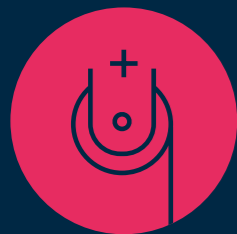
Eclipse Fascia System

The Eclipse Fascia system is available on **R400** and **40mm** systems and comes in a choice of black or white.

Eclipse Fascia System £4.66 each
 + £18.63/metre

Eclipse Fascia Specifications





Large Systems

For when you are required to cover a particularly large glazed area. This range of systems are made with larger diameter roller tubes to enable them to span greater sizes without having to split into multiple blinds.

R500	20
R600	22
R700	24



Buro R500

The R500 is the embodiment of style and durability, carrying with it a true reflection of quality and prestige. A precisely engineered orbital gearing system lies at the heart of the manual R500 mechanism. The R500 is extraordinarily quiet and smooth in operation and due to a 61mm aluminium tube can accept the high loads of very wide spans with no complaint.



Standard
Nylon Chain

Optional
Metal Chain
Side Guide Wires

Warranty
5 year

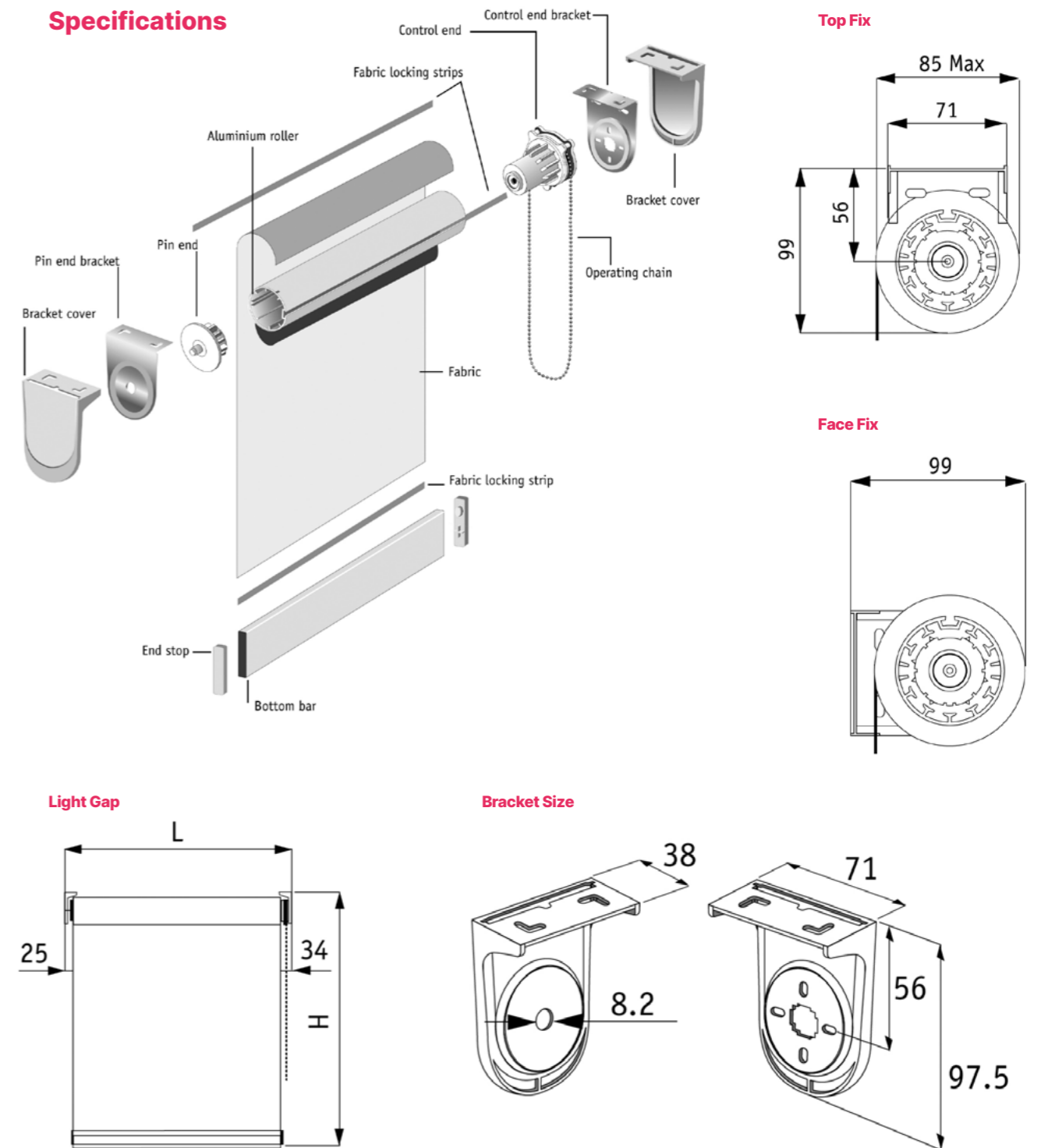
Max. size
Width 4000mm
Drop 4300mm
Surface 16m²

Tube size
61mm

Fabrics
Artisan
Nightshade
Sombra Eco
Diffusor
Bespoke



Buro R500 Specifications



Buro R600

The R600 is similar to R500 but with option for crank or electrical operation. A precisely engineered orbital gearing system lies at the heart of the manual R600 mechanism. The R600 is extraordinarily quiet and smooth in operation and due to a 61mm aluminium tube can accept the high loads of very wide spans with no complaint.



Standard
Fixed Crank

Optional
Detachable Crank
240v Hardwired Wall Switch
240v Remote Control
Side Guide Wires

Warranty
5 year

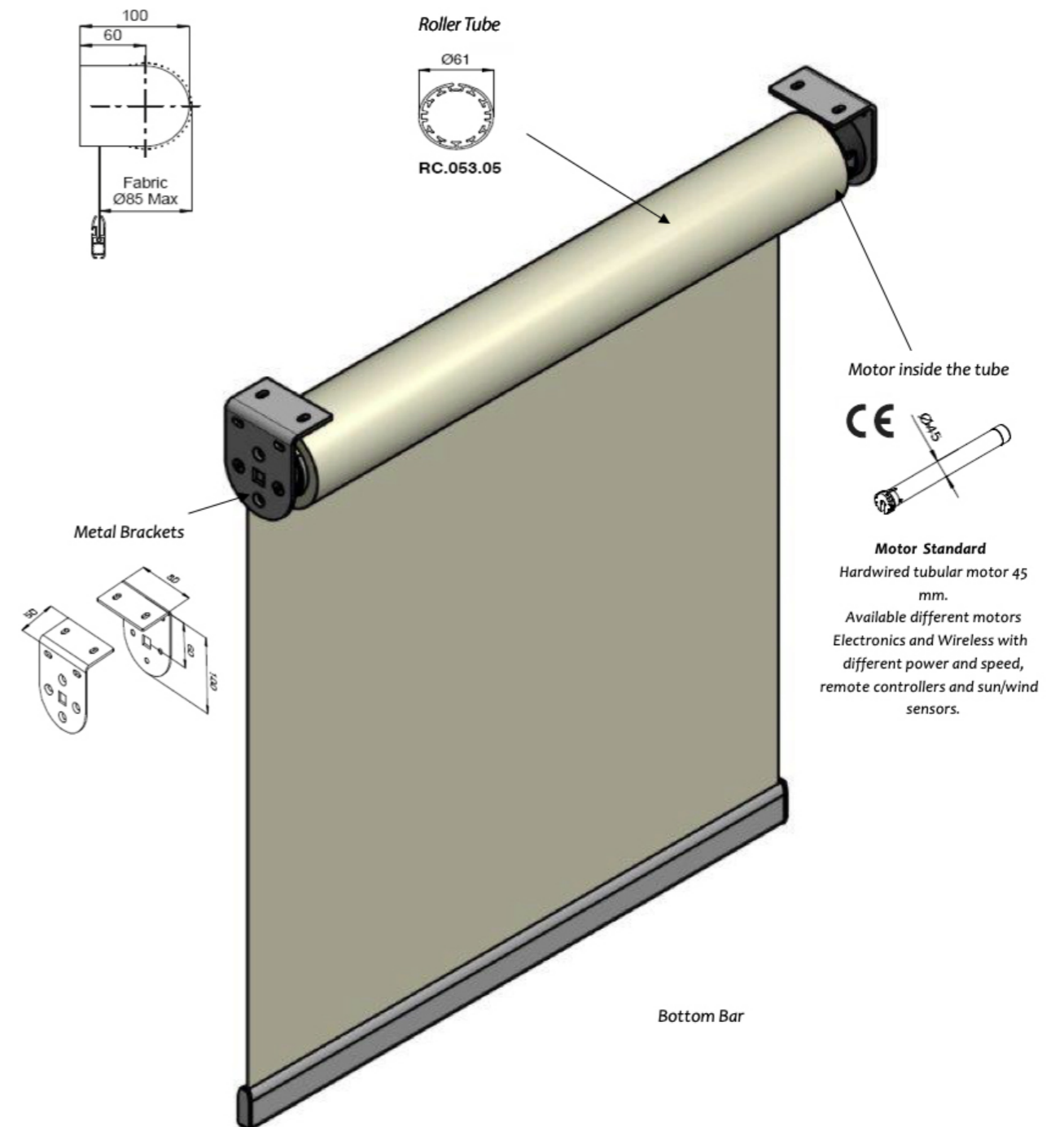
Max. size
Width 4000mm
Drop 4300mm
Surface 16m²

Tube size
61mm

Fabrics
Artisan
Artisan+
Artisan Black-Out
Sombra Eco
Diffusor
Bespoke



Buro R600 Specifications



Buro R700

The R700 is a true giant in the world of vertical roller blinds. With a heavy duty 78mm steel roller tube this system can reach impressive heights with upto 11 metres drop and a surface area of upto 23.5m². A perfect choice to compliment an impressive large glass atrium or reception area.



Standard

Fixed Crank

Optional

Detachable Crank
240v Hardwired Wall Switch
240v Remote Control
Side Guide Wires

Warranty

5 year

Max. size

Width 4500mm
Drop 11000mm
Surface 22.5m²

Tube size

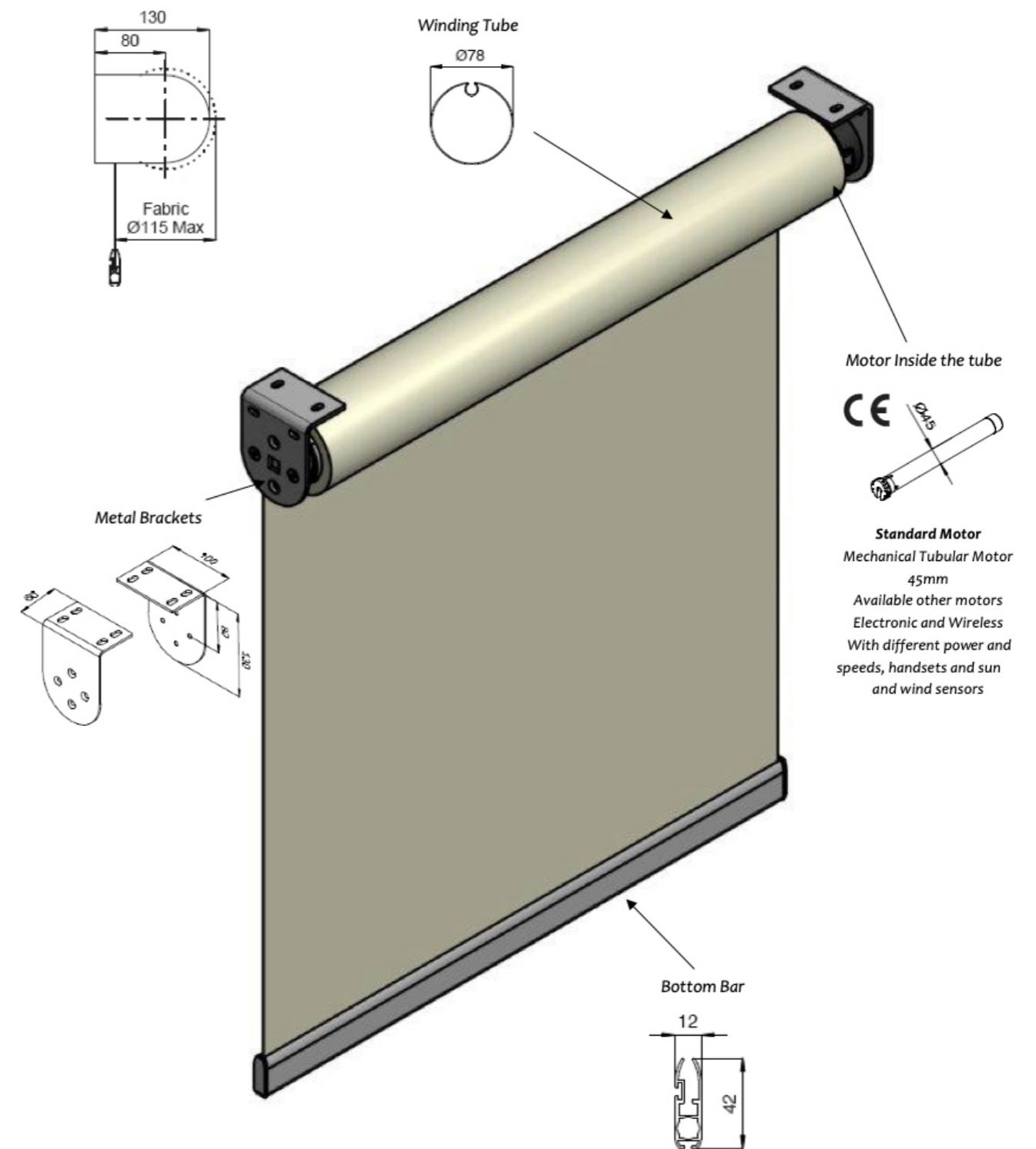
78mm

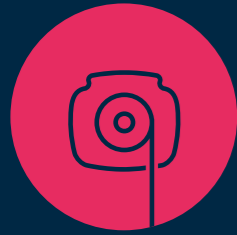
Fabrics

Artisan
Artisan+
Artisan Black-Out
Sombra Eco
Diffusor
Bespoke



Buro R700 Specifications





Cassette Roller Blinds

Cassette Roller Blinds offer a sleek and stylish alternative to simple Roller Blinds and are designed to fit neatly into window recesses and achieve close to complete block out of light. This is due to an aluminium cassette around the roller tube & controls and aluminium side channels to stop the light coming around the sides of the fabric.

C83	28
C110	30
C130	32



C83

Room darkening roller blind. This system is commonly used for studios, conference rooms, IT rooms or science laboratories. The C83 is manufactured with an extruded aluminium two part head box which comes in a 83mm cassette size. The roller tube for this system is 45mm reinforced extruded aluminium tube.



Standard

Nylon Chain
Side Channels
White RAL9016 Hardware

Max. size

Width 2800mm
Drop 2600mm
Surface 8m²

Optional

Metal Chain
Fixed Crank
Detachable Crank
240v Hardwired Wall Switch
240v Remote Control
Battery
No side channels
Black RAL9005 Hardware
Grey Anodised Hardware

Fabrics

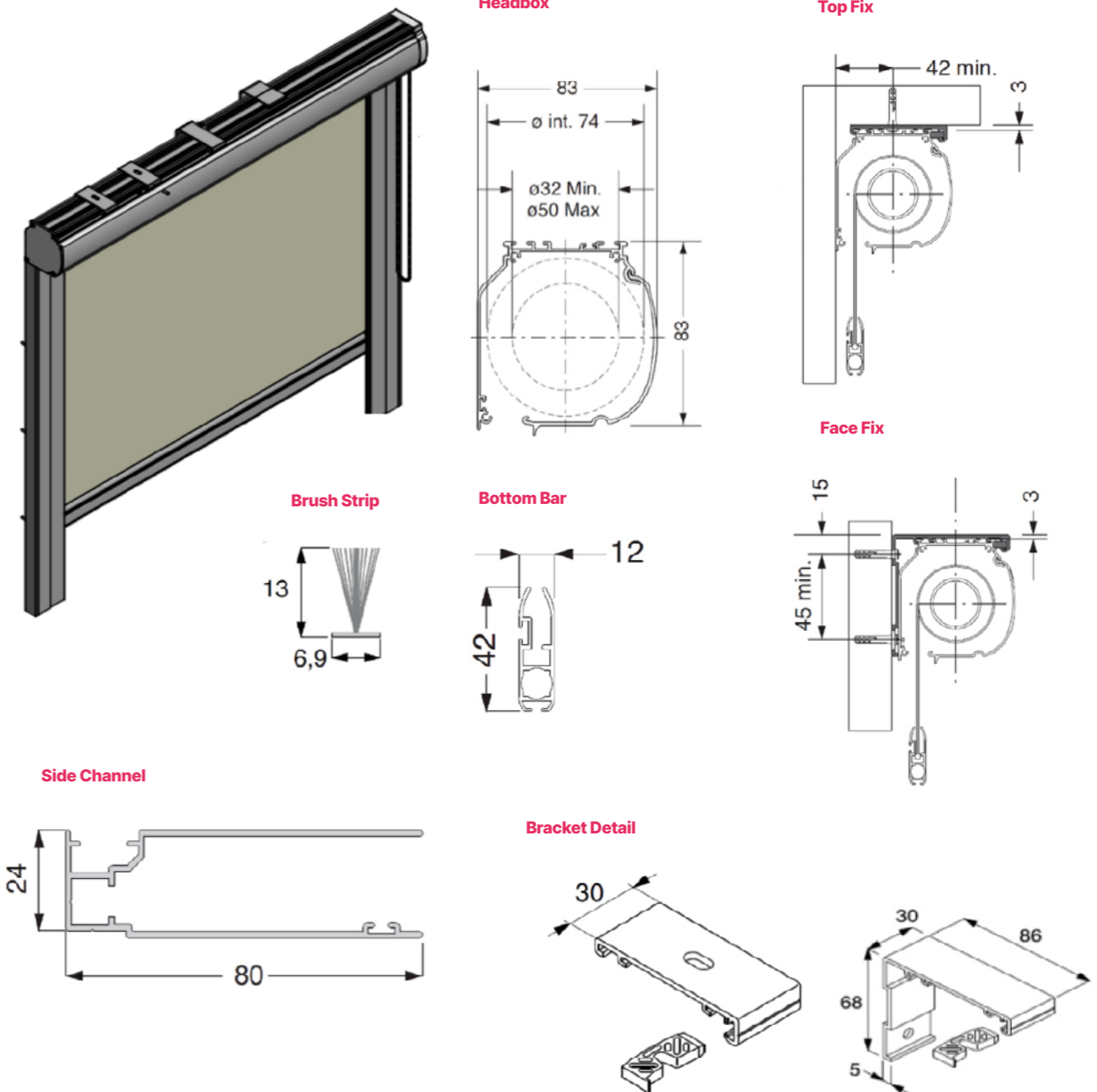
Artisan
Artisan+
Artisan Black-Out
Sombra Eco
Diffusor
Bespoke

Warranty

5 year



C83 Specifications



C110

Room darkening roller blind. This system is commonly used for studios, conference rooms, IT rooms or science laboratories. The C110 is manufactured with an extruded aluminium two part head box which comes in a 110mm cassette size. The roller tube for this system is 78mm reinforced extruded aluminium tube.



Standard

Fixed Crank
Side Channels
White RAL9016 Hardware

Optional

Detachable Crank
240v Hardwired Wall Switch
240v Remote Control
Battery
No Side Channels
Black RAL9005 Hardware
Grey Anodised Hardware

Max. size

Width 4000mm
Drop 3200mm (4500mm without side channels)
Surface 18m²

Fabrics

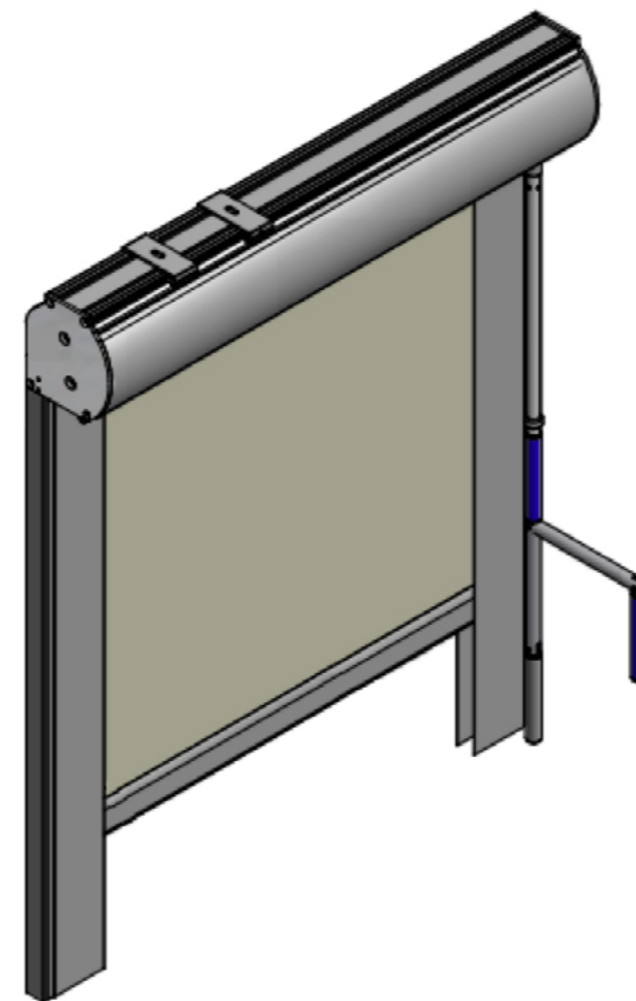
Artisan
Artisan+
Artisan Black-Out
Sombra Eco
Diffusor
Bespoke

Warranty

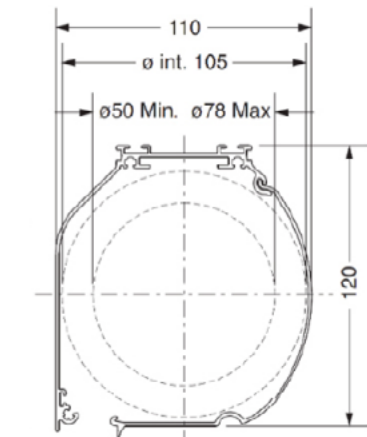
5 year



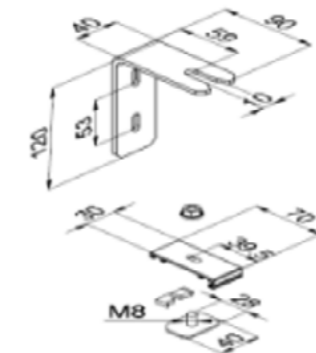
C110 Specifications



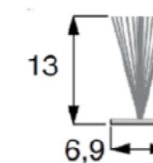
Headbox



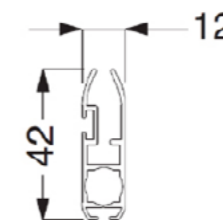
Brackets



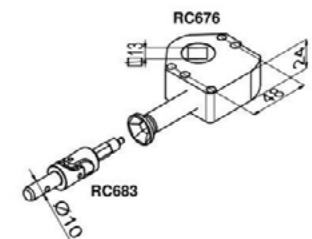
Brush Strip



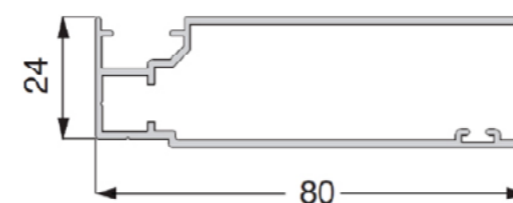
Bottom Bar



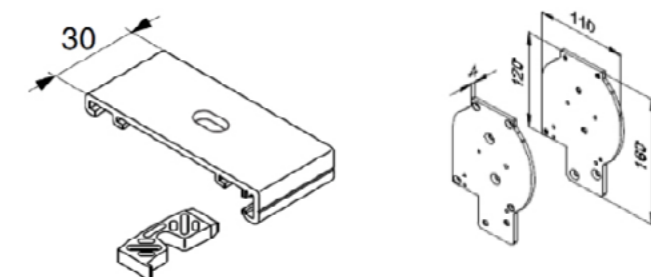
Crank



Side Channel



Bracket Detail



C130

Room darkening roller blind. This system is commonly used for studios, conference rooms, IT rooms or science laboratories. The C130 is manufactured with an extruded aluminium two part head box which comes in a 130mm cassette size. The roller tube for this system is 85mm reinforced extruded aluminium tube.



Standard

Fixed Crank
Side Channels
White RAL9016 Hardware

Optional

Detachable Crank
240v Hardwired Wall Switch
240v Remote Control
Battery
No Side Channels
Black RAL9005 Hardware
Grey Anodised Hardware

Max. size

Width 4500mm
Drop 3200mm (5000mm without side channels)
Surface 22.5m²

Fabrics

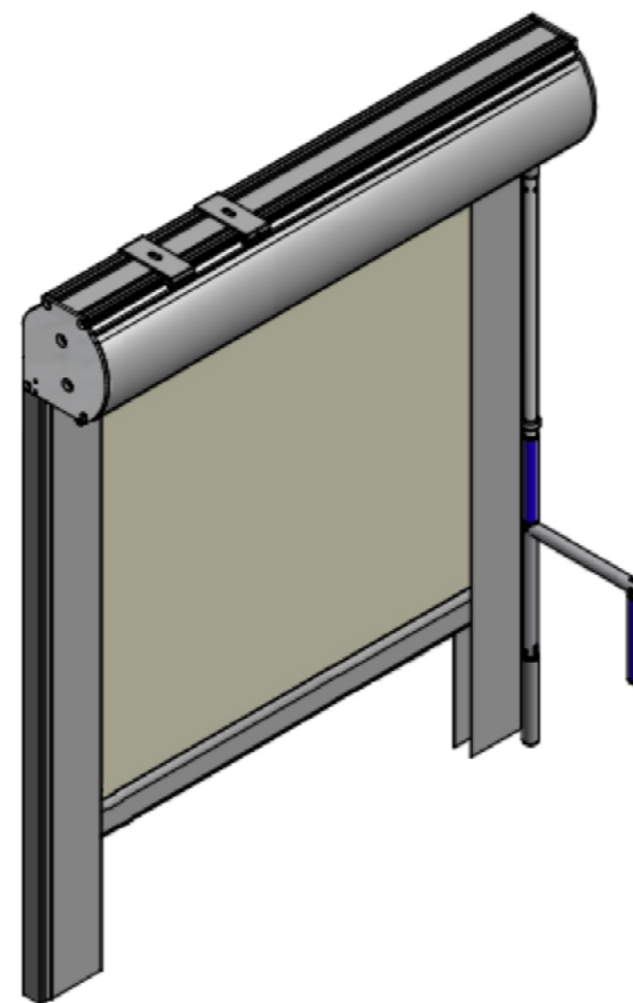
Artisan
Artisan+
Artisan Black-Out
Sombra Eco
Diffusor
Bespoke

Warranty

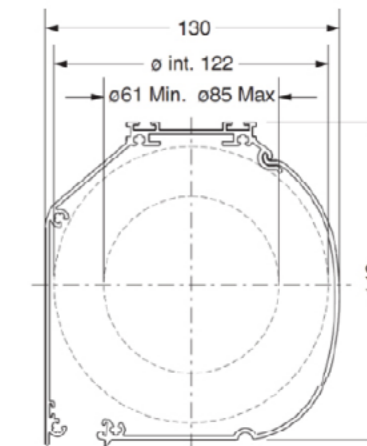
5 year



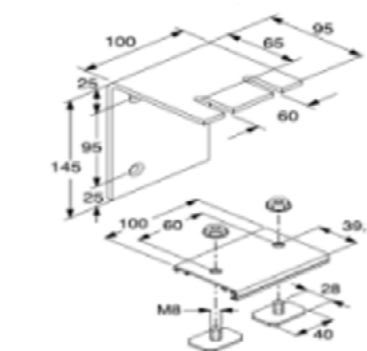
C130 Specifications



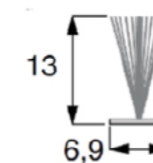
Headbox



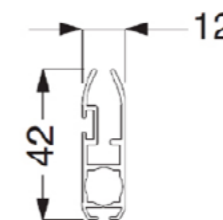
Brackets



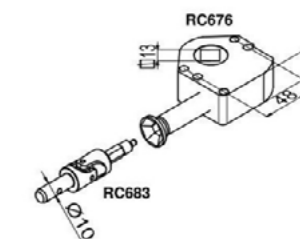
Brush Strip



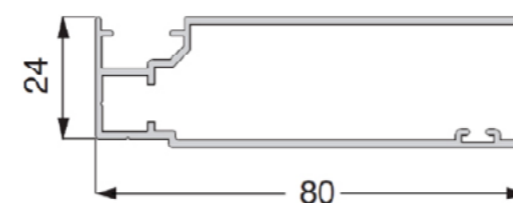
Bottom Bar



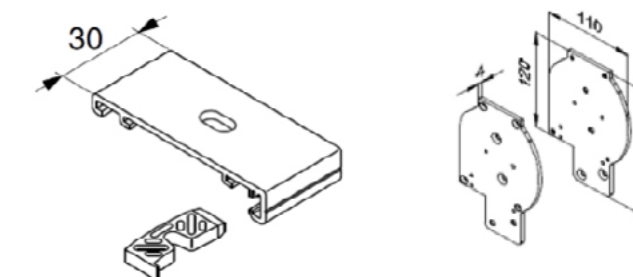
Crank



Side Channel



Bracket Detail





Horizontal Rooflight Blinds

Buroshade's Horizontal Rooflight Blinds are based on the easy-access design of our Cassette Roller Blinds. The "CR" systems have a roller at each end of the opening – one holding the fabric and the other acting as the tension mechanism. The "TR" systems are more advanced: these hold the fabric and tensioning mechanism at one end of the opening in a single mechanism. Perfect for large architectural glazed roof areas.

CRX	36
CR83	38
CR110	40
TR85	42



CRX

The CRX System is a baseline product and is not supplied with a Cassette or side channels. This is a perfect product for smaller rooflight applications.



Standard

Fixed Crank
Side Guide Wires

Optional

Detachable Crank
240v Hardwired Wall Switch
240v Remote Control
Battery

Warranty

5 year

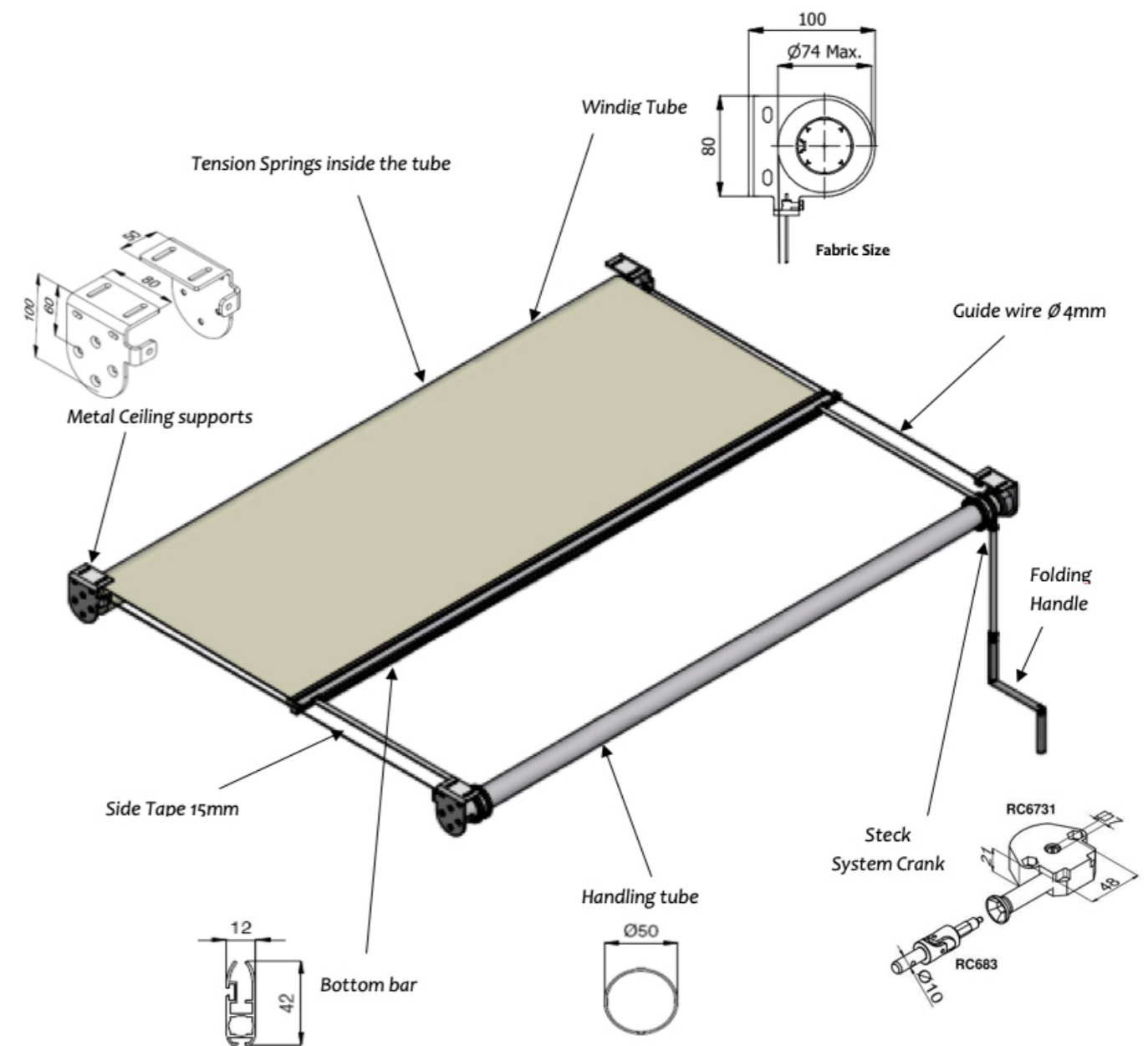
Max. size

Width 1600mm
Drop 2000mm
Surface 3.2m²

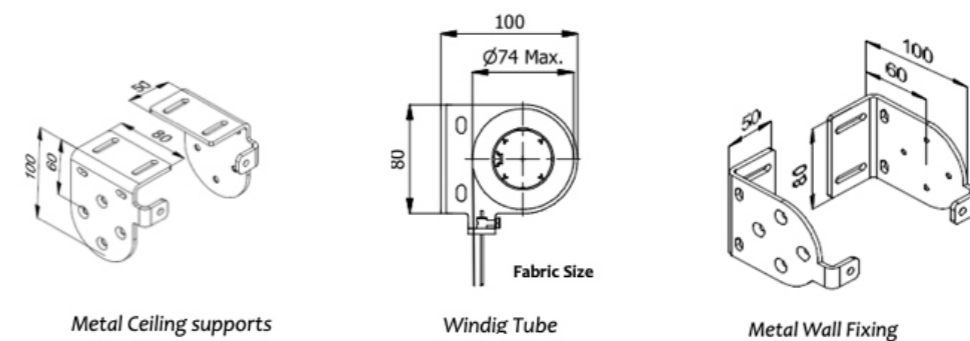
Fabrics

Sombra Tensile
Diffusor
Bespoke

CRX Specifications



Options



CR83

Cassette tension roller blind for horizontal applications. Manufactured with an extruded aluminium two part head box each end of the opening and extruded aluminium side channels. Cassette size is 83mm.



Standard

Fixed Crank
Side Channels
White RAL9016 Hardware

Max. size

Width 1600mm
Drop 2000mm
Surface 3.2m²

Optional

Detachable Crank
240v Hardwired Wall Switch
240v Remote Control
Battery
Black RAL9005 Hardware
Grey Anodised Hardware

Fabrics

Sombra Tensile
Diffusor
Bespoke

Warranty

5 year



CR83 Specifications



CR110

Casseted tension roller blind for horizontal applications. Manufactured with an extruded aluminium two part head box each end of the opening and extruded aluminium side channels. Cassette size is 110mm.



Standard

Fixed Crank
Side Channels
White RAL9016 Hardware

Max. size

Width 1600mm
Drop 2600mm
Surface 6m²

Optional

Detachable Crank
240v Hardwired Wall Switch
240v Remote Control
Battery
Black RAL9005 Hardware
Grey Anodised Hardware

Fabrics

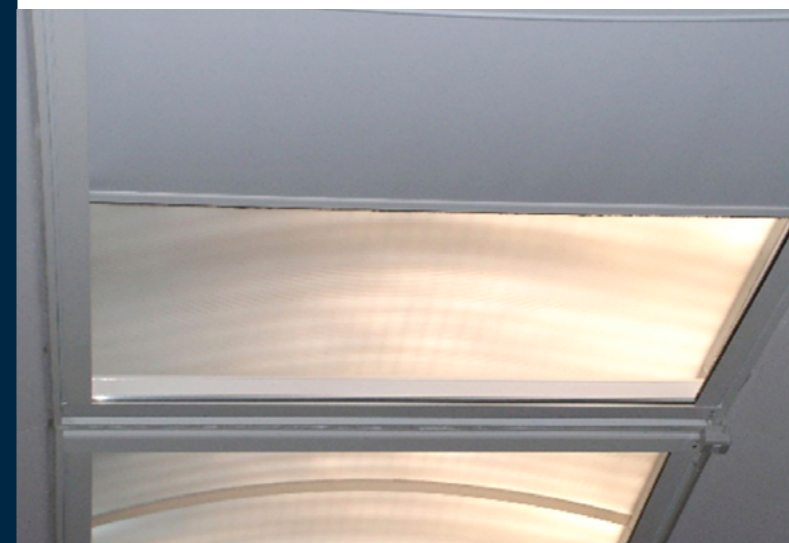
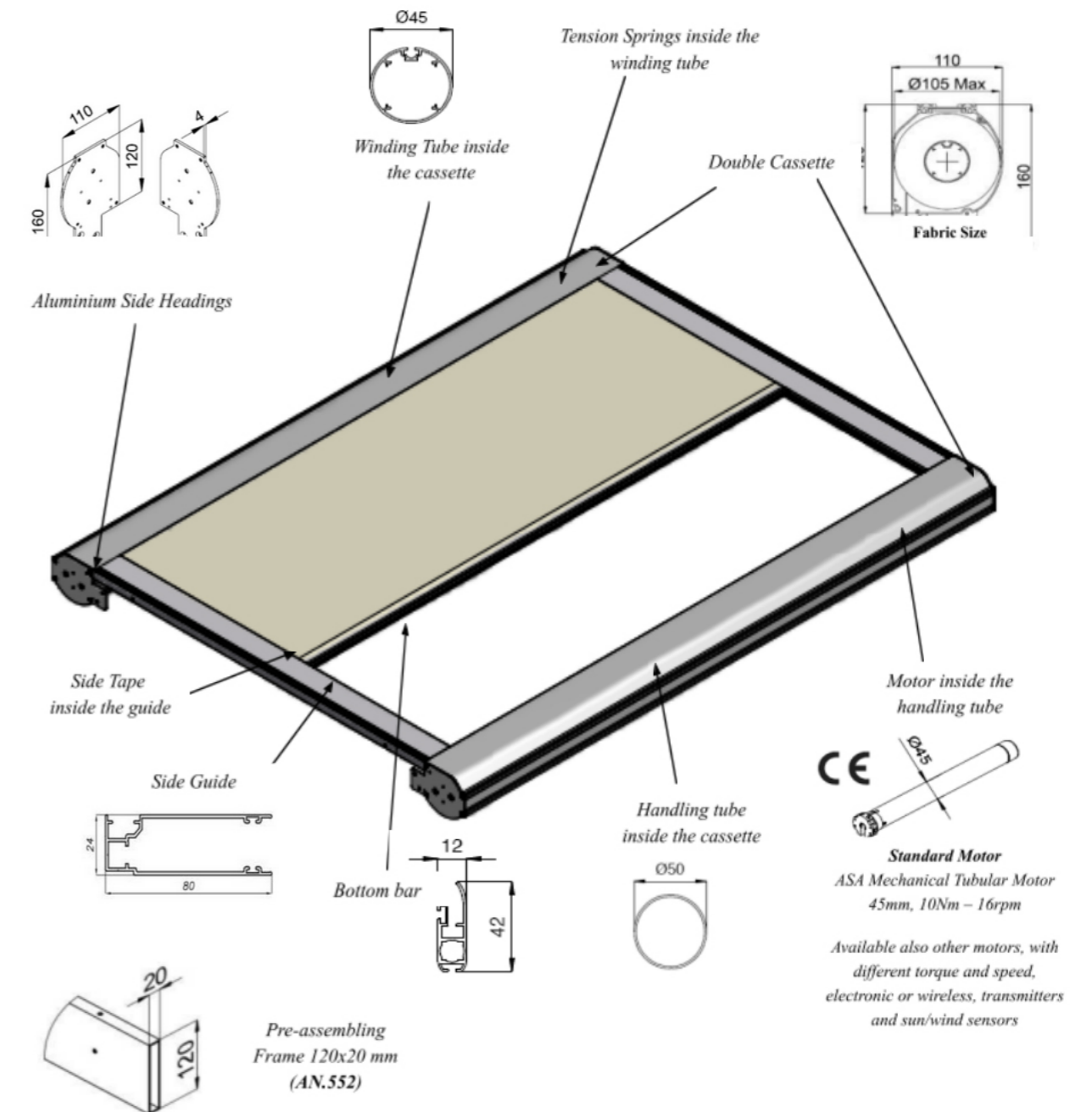
Sombra Tensile
Diffusor
Bespoke

Warranty

5 year



CR110 Specifications



TR85

TR85 System is a heavy duty tension roller for large horizontal rooflight or bottom-up applications. Due to the 85mm steel roller tube and hi-tension capability, this product can deliver an un-matched smooth finish over large horizontal openings. All tension is created by the unique single tension mechanism so the blind only requires a barrel at one end of the opening, this reduces visible hardware to preserve a clean overall finish.



Standard

240v Hardwired Wall Switch
Side Guide Wires

Optional

240v Remote Control

Warranty

5 year

Max. size

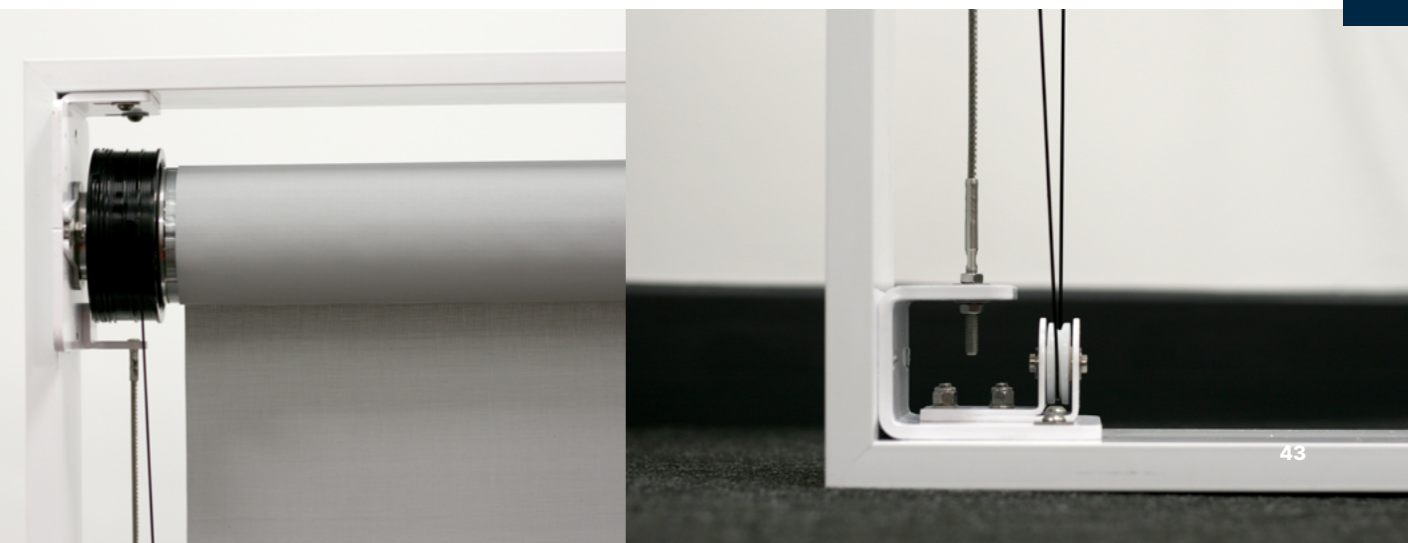
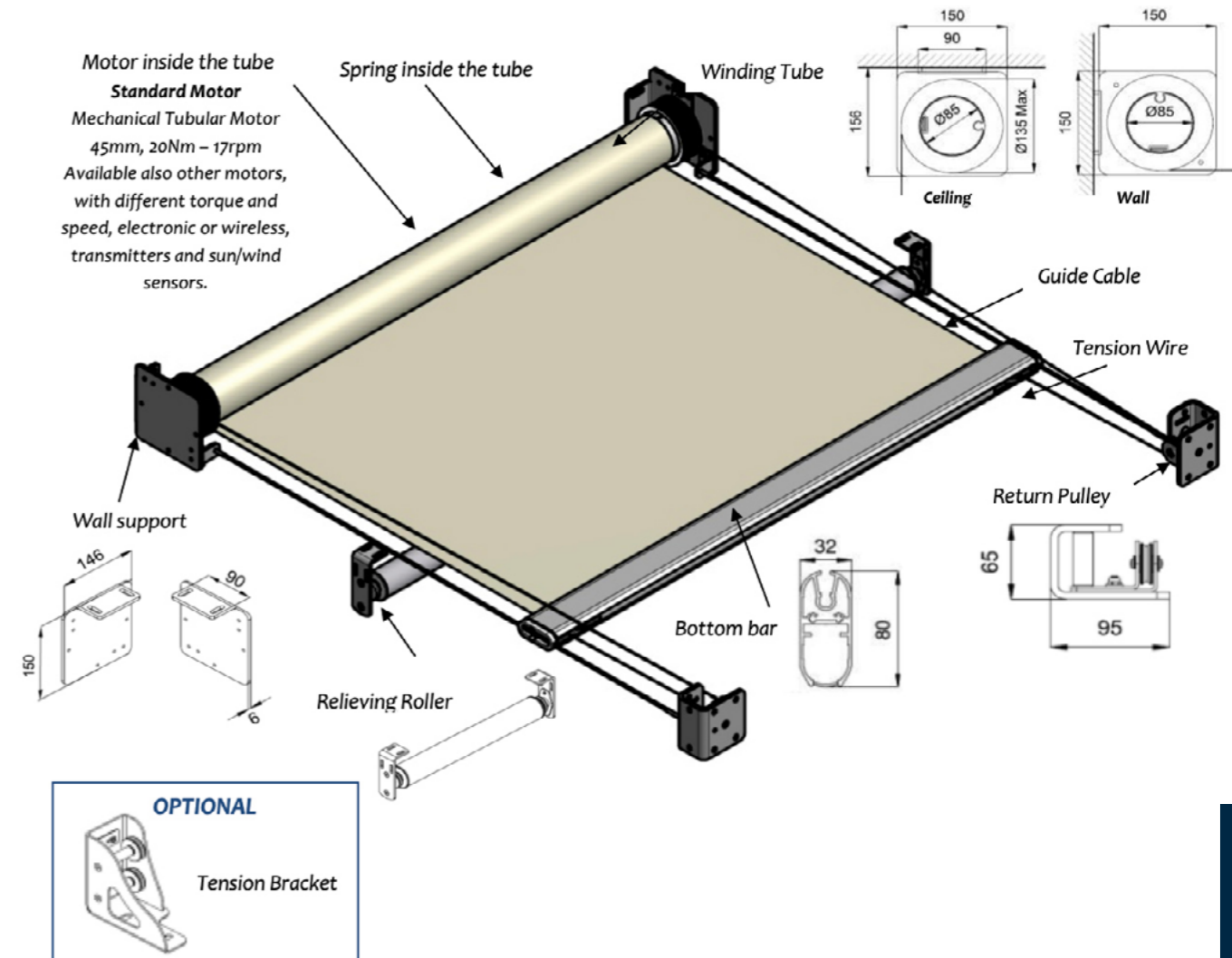
Width 4000mm
Length 6000mm
Surface 16m²
Max. Lift Weight 28kg

Fabrics

Sombra Tensile
Diffusor
Bespoke



TR85 Specifications





Fabrics

Select your preferred fabric, with options to suit every requirement.



- Rs** Percentage of Solar/Heat reflected by fabric
- Ts** Percentage of Solar/Heat transmitted by fabric
- As** Percentage of Solar/Heat absorbed by fabric
- Rv** Percentage of Visual/Light reflected by fabric
- Tv** Percentage of Visual/Light transmitted by fabric
- Av** Percentage of Visual/Light absorbed by fabric
- S-C** Solar heat gain with blind at the window divided by solar heat gain with no blind at window. The lower the shading coefficient, the higher the efficiency of the fabric.

Artisan	46
Nightshade	48
Diffusor	50
Sombra Eco	52
Sombra Tensile	54



Artisan

Artisan is a Cool-toned range of neutral hues which creates a simple, classic foundation for you to add your personal style. This durable textured dim-out fabric is treated with British Standard fire retardant (FR) coating and is designed to provide dim-out shading with privacy.

Function
Dim-Out (Privacy)

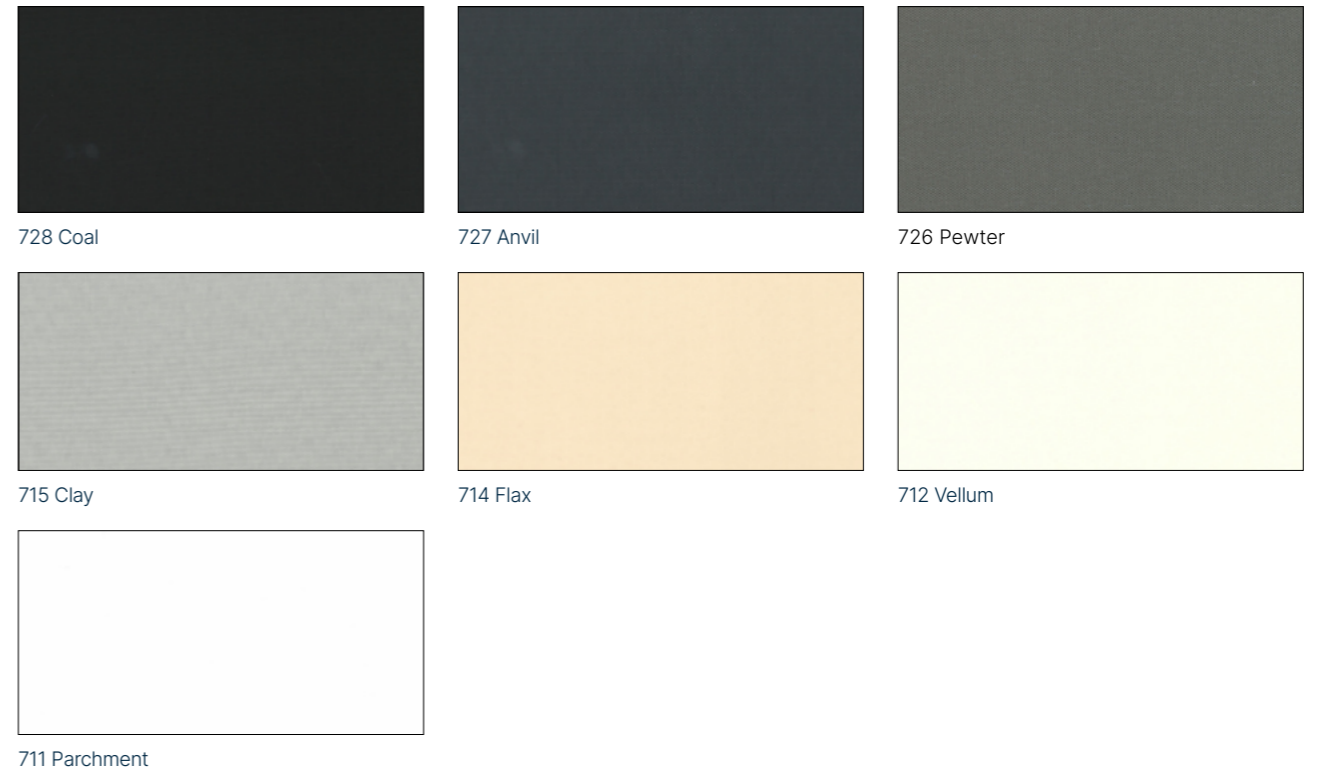
Composition
100% Polyester

Cleaning
Wipe with damp sponge; Do not wash; Do not tumble dry; Do not dry clean; Do not iron

Roll width
2m/2.5m

Weight
280g/m² approx

FR
EN 13773: 2003 Class 1;
BS5867 – 2, Type B: 2008 for fire retardancy when tested in accordance with BS5438: 1989



Fabric	Colour	Roll width	Heat		Light		S-C
			Ts	Rs	Tv	Rv	
Artisan	711 Parchment	2m, 2.5m	22	72	19	81	0.30
Artisan	712 Vellum	2m, 2.5m	26	64	24	74	0.38
Artisan	714 Flax	2m, 2.5m	16	46	3	35	0.56
Artisan	715 Clay	2m, 2.5m	19	41	9	39	0.60
Artisan	726 Pewter	2m, 2.5m	20	31	4	16	0.70
Artisan	727 Anvil	2m, 2.5m	13	32	0	12	0.69
Artisan	728 Coal	2m, 2.5m	12	23	0	6	0.78



Nightshade

Our Nightshade fabrics offer the same touch and durable fire retardant (FR) performance as the standard Artisan range, but with a smooth PVC blackout coating on the reverse side. This produces a luxurious soft finish at the same time as full black-out performance.

Function

Black-Out

Composition

100% Polyester

Cleaning

Do not soak. Clean by gently wiping with a sponge

Roll width

2.5-2.7m

Weight

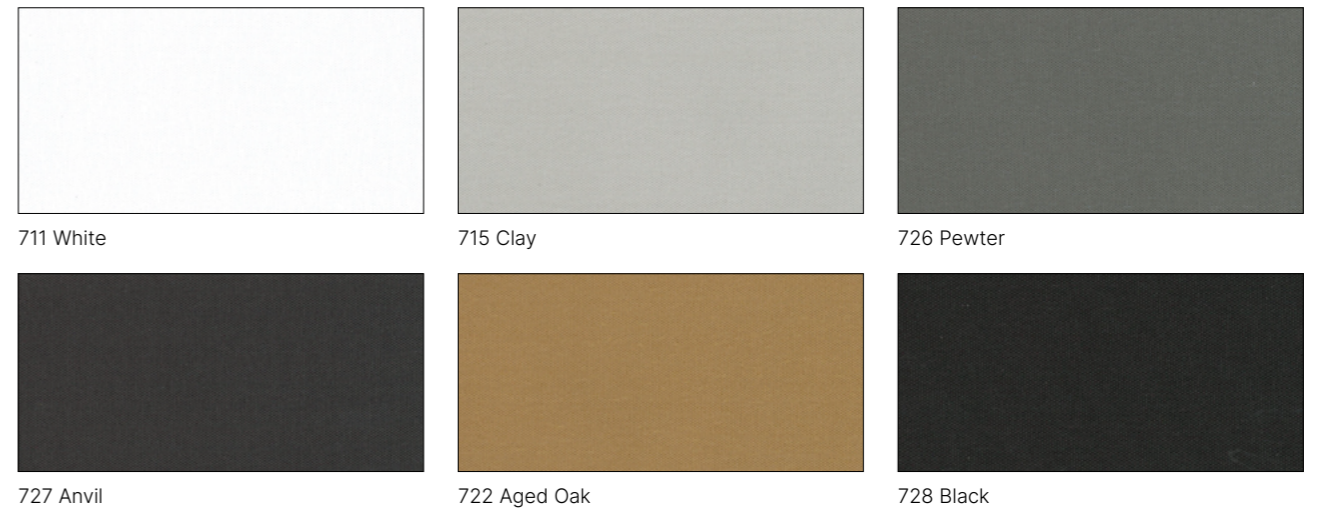
255-320g/m² +/- 5%

FR

B1, M2

Thickness

0.35mm +/- 0.05mm



Fabric	Colour	Roll Width	Weight g/m ²	Thickness	Solar			Light		
					Rs	Ts	As	Rv	Tv	Av
Nightshade	711 White	2500mm	289	0.42	72%	0%	28%	83%	0%	17%
Nightshade	715 Clay	2500mm	289	0.42	52%	0%	48%	54%	0%	46%
Nightshade	726 Pewter	2500mm	289	0.42	25%	0%	75%	25%	0%	75%
Nightshade	727 Anvil	2500mm	289	0.42	21%	0%	79%	22%	0%	78%
Nightshade	722 Aged Oak	2500mm	289	0.42	32%	0%	68%	30%	0%	70%
Nightshade	728 Black	2500mm	289	0.42	5%	0%	95%	5%	0%	95%



Diffusor

Our Diffusor range is a more technical screen fabric designed to provide shading and privacy, without losing the benefit of natural light. Made from thin lightweight yarns, woven into a full basket weave, Diffusor will reduce solar glare without fully blocking light. Diffusor comes in a range of neutral colours, with openness factors ranging from 1% to 5%.

Function

Screen (Glare, heat gain & UV control). Bacteriostatic and fungal resistance.

Composition

75% PVC 25% Polyester

Cleaning

Wipeable

Roll Width

2m/2.5m/3m

Weight

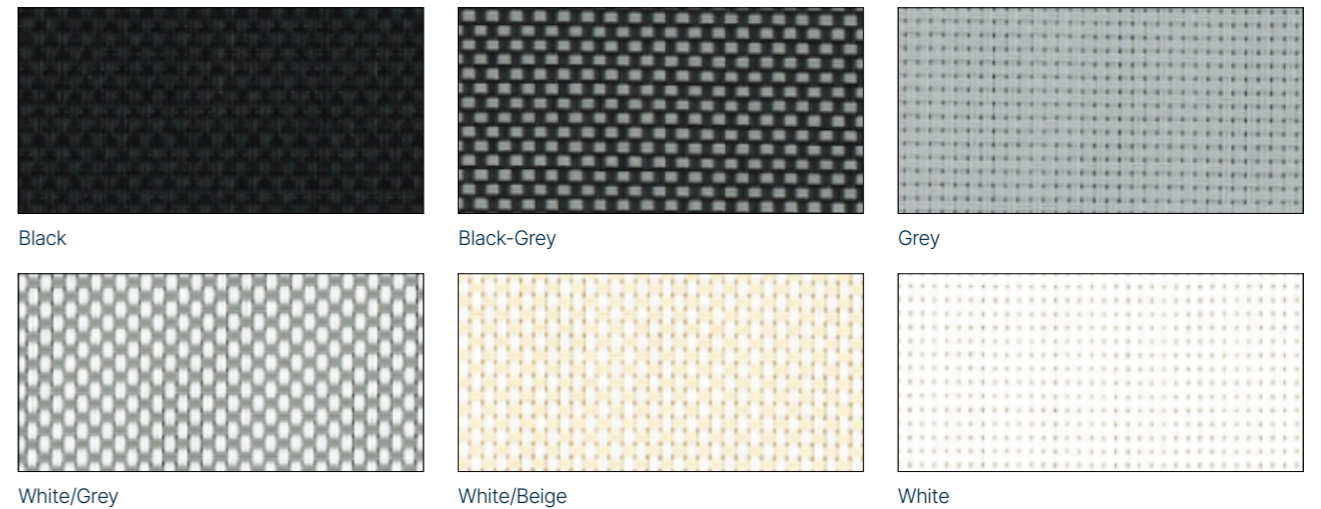
1% 520g/m², 3% 445g/m², 5% 415g/m². (+/-5%)

FR

M1, B1 (DIN 4102-1).
BS5867 Type B.

Thickness

1% 0.57mm, 3% 0.60mm, 5% 0.60mm (+/- 0.05)



Fabric	Colour	Roll width	Heat			Light Tv
			Ts	Rs	As	
Diffusor 1%	Black	2.5-3.0m	3.0%	5.0%	92.0%	3.0%
Diffusor 1%	Black/Grey	2.5-3.0m	0.0%	7.0%	93.0%	0.0%
Diffusor 1%	Grey	2.5-3.0m	4.0%	34.0%	62.0%	1.0%
Diffusor 1%	White/Grey	2.5-3.0m	8.0%	59.0%	33.0%	4.0%
Diffusor 1%	White/Beige	2.5-3.0m	13.0%	66.0%	21.0%	8.0%
Diffusor 1%	White	2.5-3.0m	9.0%	76.0%	15.0%	4.0%
Diffusor 3%	Black	2.5-3.0m	5.0%	4.0%	91.0%	4.0%
Diffusor 3%	Black/Grey	2.5-3.0m	5.0%	9.0%	86.0%	5.0%
Diffusor 3%	Grey	2.5-3.0m	8.0%	32.0%	60.0%	6.0%
Diffusor 3%	White/Grey	2.5-3.0m	8.0%	38.0%	54.0%	7.0%
Diffusor 3%	White/Beige	2.5-3.0m	16.0%	62.0%	22.0%	15.0%
Diffusor 3%	White	2.5-3.0m	19.0%	71.0%	10.0%	16.0%
Diffusor 5%	Black	2.5-3.0m	6.0%	4.0%	90.0%	6.0%
Diffusor 5%	Black/Grey	2.5-3.0m	9.0%	8.0%	83.0%	9.0%
Diffusor 5%	Grey	2.5-3.0m	11.0%	30.0%	59.0%	7.0%
Diffusor 5%	White/Grey	2.5-3.0m	11.0%	37.0%	52.0%	9.0%
Diffusor 5%	White/Beige	2.5-3.0m	19.0%	57.0%	24.0%	15.0%
Diffusor 5%	White	2.5-3.0m	25.0%	65.0%	10.0%	20.0%



Sombra Eco

Our Sombra Eco fabrics are exceptionally durable and stain-resistant, due to their wipeable PVC finish. This tough black-out fabric is available in a range of popular colours to suit any commercial/residential or educational environment, and is fire retardant (FR) to the relevant British Standard.

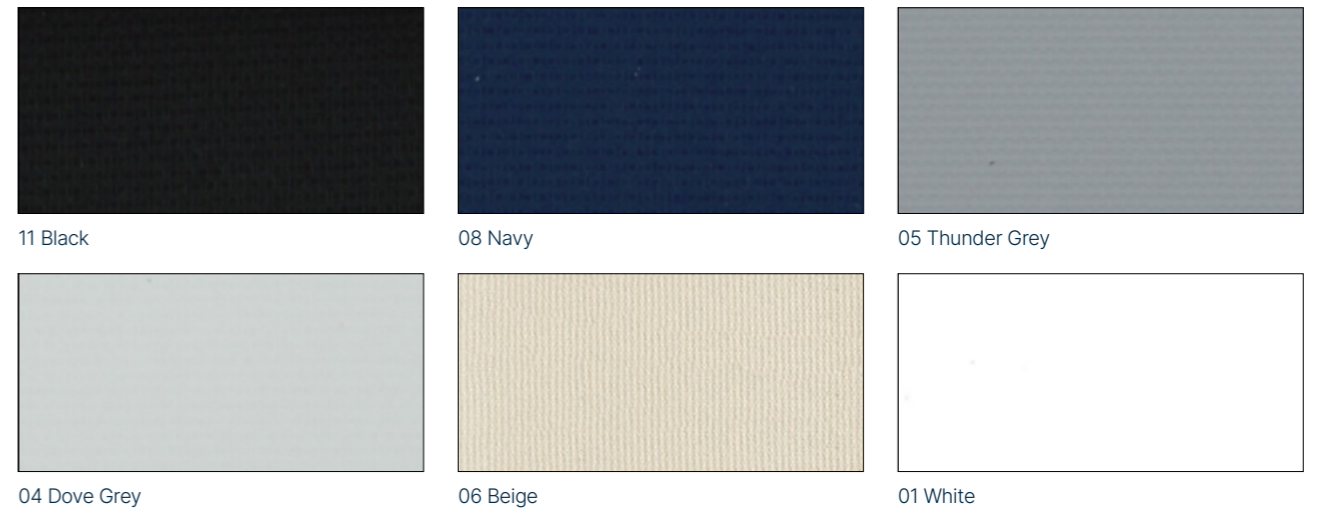
Function
Black-Out (PVC Finish)

Composition
72% / 28% Glassfibre

Cleaning
Wipe Clean

Weight
425g/m² approx

FR
BS:5867:1980 Part 2 Type B



Fabric	Colour	Roll width	Heat		Light	
			T	R	T	R
Sombra Eco	01 White	2.5m	1%	56%	0%	78%
Sombra Eco	04 Dove Grey	2.5m	1%	39%	0%	56%
Sombra Eco	05 Thunder Grey	2.5m	0%	29%	0%	n/a
Sombra Eco	06 Beige	2.5m	0%	63%	0%	71%
Sombra Eco	08 Navy	2.5m	0%	9%	0%	6%
Sombra Eco	11 Black	2.5m	0%	4%	0%	4%



Sombra Tensile

Sombra Tensile is an advance on the standard “Sombra Eco” range. This fabric offers the same wipeable PVC black-out finish but is substantially thicker. This is specifically for use with our tension rooflight and external systems.

Function
Black-Out (Tension)

Composition
High Strength Polyester + PVC

Cleaning
Wipe Clean

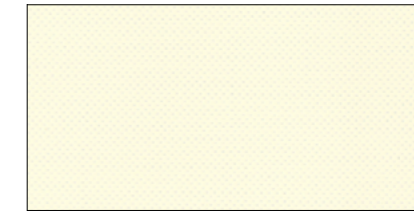
Roll Width
2.5m/3m

Weight
800g/m²

FR
C2



908 White



112 Cream



717 Grey



Wholesale

Buroshade wholesale solution provides you with a halfway house between importing directly from a mill and buying from a regular UK wholesaler. In line with our drive to focus, we offer a small tried and tested range of common fabrics and common profiles that are well stocked in the UK and supplied in manageable MoQ's.

Aluminium Supply

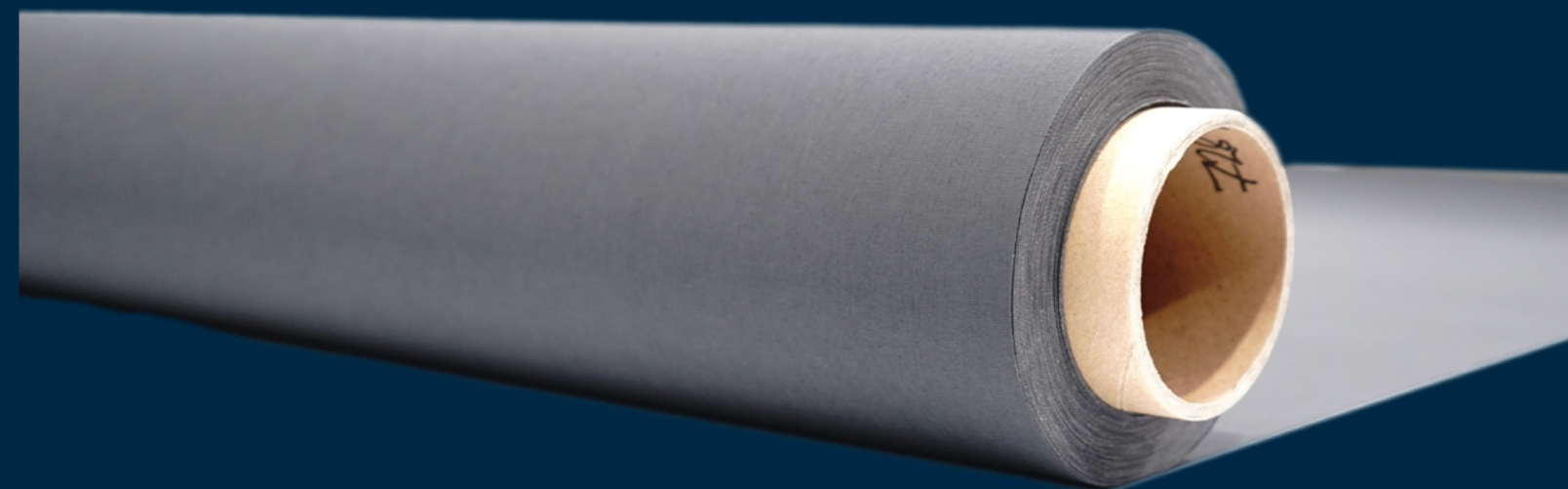
If you are looking for a more efficient supply of aluminium profile, this is your answer. Using our own production as a test bed we are now able to provide manufacturers with a better supply chain solution for common aluminium profiles.

Fabrics Supply

Our small (focused) range of fire retardant roller blind fabrics is well stocked in the UK and will cover 80% of your requirements in a highly efficient and competitive way.

Component Price List

Product			
R400 Mechanism & Brackets	Box 50	POA	each
R400 Tube	6m x 200 Pack	POA	per metre
40mm Double Slot	6m x 200 Pack	POA	per metre
32mm Single Slot	6m x 200 Pack	POA	per metre
ERW Bottom Bar	6m x 200 Pack	POA	per metre
R400 Tube (pre-taped 25mm)	6m x 200 Pack	POA	per metre
40mm (pre-taped 12.5mm)	6m x 200 Pack	POA	per metre
32mm (pre-taped 12.5mm)	6m x 200 Pack	POA	per metre
3% Diffusor 300cm	50m Roll	POA	per metre
Nightshade 250cm	30m Roll	POA	per metre
Artisan 250cm	30m Roll	POA	per metre



Delivery & Fast Track Prices

Fast Track Manufacture (4 days)**	POA	per 15 blinds
Dedicted Timed Site Delivery	POA	per loaded mile
Standard Day Delivery (West Midlands)	POA	per order
Standard Day Delivery (South Wales & South West)	POA	per order
Standard Day Delivery (North)	POA	per order
Standard Day Delivery (South East & London)	POA	per order + TFL charges where applicable
FedEx / Courier 1-25 blinds	POA	

** subject to stock availability and production capacity



Roller blinds. It's what we do.

Call: 0333 050 9885 Visit: buroshade.com

5% discount for orders placed using Buroshade order form

download at buroshade.com/order-form



Find your competitive advantage.

**To start working with Buroshade
please contact our sales team for
trade only pricing:**

Email: sales@buroshade.com

Call: 0333 050 9885

