

**Product  
catalogue**

**Roller blinds.  
It's what we do.**

## Product function key



Chain



Fixed Crank



Detachable Crank



240v Hardwired Wall Switch



240v Remote Control



Battery



Side Channels



Side Guide Wires



Z-lock Side Channels



# Contents



## **Roller Blinds 8**

32MM	10
40MM	12
R400	24
Eclipse Fascia	16



## **Large Systems 18**

R500	20
R600	22
R700	24



## **Cassette Roller Blinds 26**

C83	28
C110	30
C130	32



## **Horizontal Rooflight Blinds 34**

CRX	36
CR83	38
CR110	40
TR85	42



## **Fabrics 44**

Artisan	46
Nightshade	48
Diffusor	50
Sombra Eco	52
Sombra Tensile	54

## **Wholesale 56**

## **Delivery & Fast Track Prices 58**



**Barry Woodward**  
General Manager



**Dlovan Askar**  
Business Development



**Alex Peck**  
Production Supervisor



**Tina Wheat**  
Office Manager



**Brook South**  
Director



**Roller blinds – it’s what we do. We exclusively supply and manufacture for trade partners. What sets us apart? We’re all about focus. Our infrastructure, supply chain, and team are dedicated to the world of ‘Roller Blinds.’ This commitment allows us to deliver exceptional quality in a more competitive manner, giving your business the edge.**

---

#### **Made to Measure**

We work as your manufacturing partner for all roller blinds including rooflight blinds and cassette systems. We can produce manual, battery operated and electrically controlled blinds.

---

#### **Fabrics Supply**

Our small (focused) range of fire retardant roller blind fabrics is well stocked in the UK and will cover 80% of your requirements in a highly efficient and competitive way.

---

#### **Aluminium Supply**

If you are looking for a more efficient supply of aluminium profile, this is your answer. Using our own production as a test bed we are now able to provide manufacturers with a better supply chain solution for common aluminium profiles.

**We give your business the edge.**

Call: 0333 050 9885    Visit: [buroshade.com](http://buroshade.com)

## Packaged for your on-site efficiency

We understand that your time on site is expensive. Have you ever considered the time it takes to sort and layout blinds on site? At Buroshade we offer to package blinds in your preferred order. Boxed by area, floor, room or block. Ready for maximum efficiency on-site.

---

Packed in  
Install Order

£2.50  
per blind

## Discover the difference.





## **Roller blinds**

**Simple, discreet and smart-looking by day or night, our Roller Blinds are always a popular choice and feature an extruded aluminium reinforced roller tube and high-durability components for exceptional longevity, even with heavy use.**





<b>32MM</b>	<b>10</b>
<b>40MM</b>	<b>12</b>
<b>R400</b>	<b>14</b>
<b>Eclipse Fascia</b>	<b>16</b>

# 32mm System

The 32 system is the enduring choice for all projects where use is frequent but requirements are basic. The 32 system helps you to get the most from your budget. This system is manufactured on a 32mm extruded aluminium tube and is available in manual chain operation only.



---

## Standard

Nylon Chain

---

## Optional

Metal Chain

---

## Warranty

5 year

---

## Max. size

Width 2000mm

Drop 2500mm

Surface 4.5m<sup>2</sup>

---

## Tube size

32mm

---

## Fabrics

Artisan

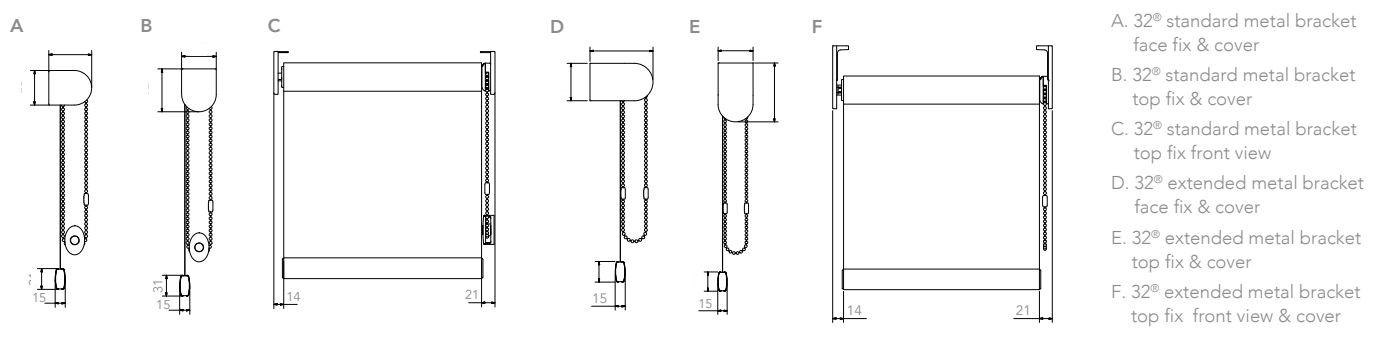
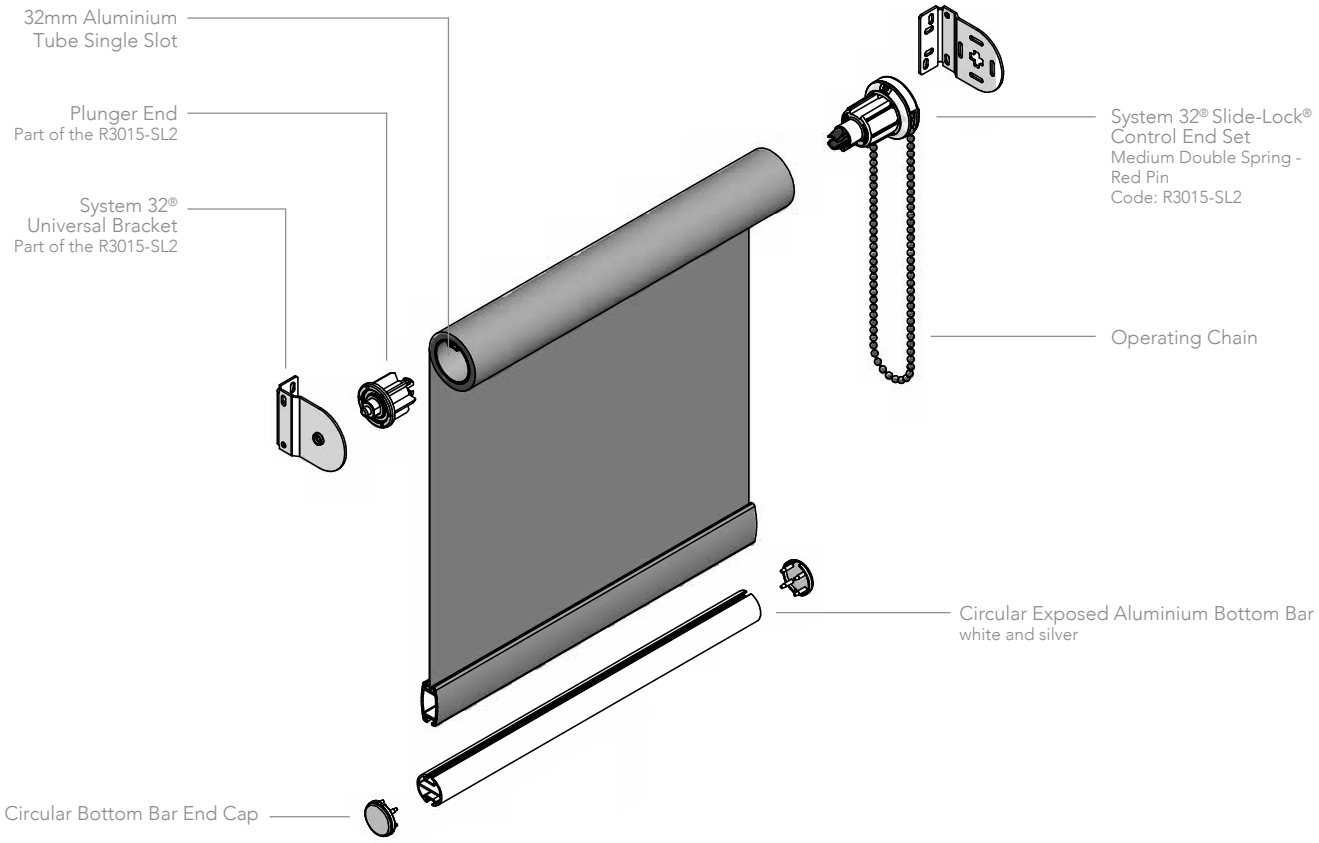
Nightshade

Sombra Eco

Diffusor

Bespoke

## 32mm System Specifications



# 40mm System

**Slightly larger than the 32mm systems,  
This is manufactured on a 40mm aluminium  
roller tube enabling larger sizes without  
compromising on quality.**

**The 40mm mechanism is a high durability  
mechanism engineered for longevity.**



---

## Standard

Nylon Chain

---

## Optional

Metal Chain  
Battery

---

## Warranty

5 year

---

## Max. size

Width 2500mm  
Drop 2900mm  
Surface 6.5m<sup>2</sup>

---

## Tube size

40mm

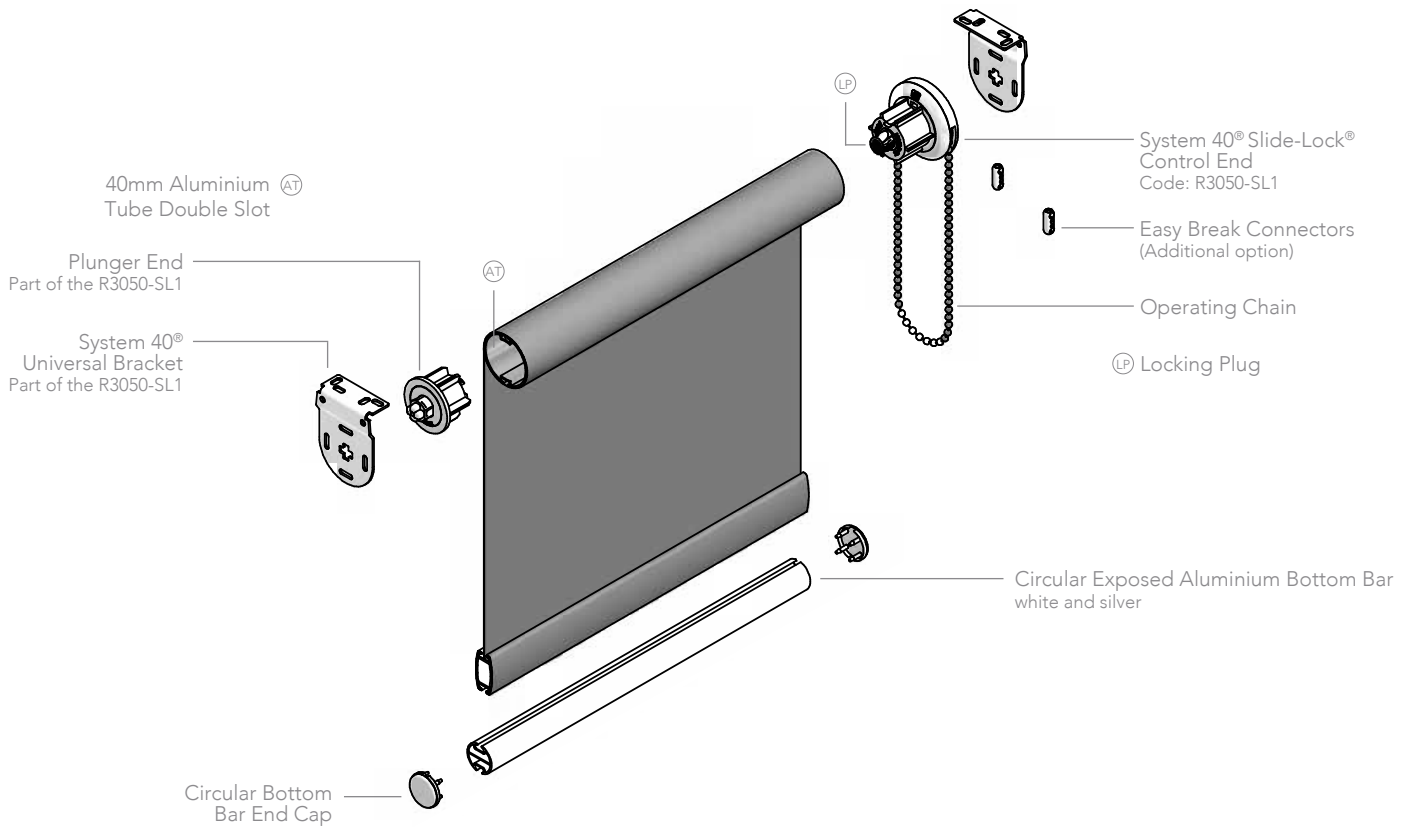
---

## Fabrics

Artisan  
Nightshade  
Sombra Eco  
Diffusor  
Bespoke



# 40mm System Specifications



# Buro R400

The R400 mechanism has a unique wear-resistant steel core instead of the standard plastic core used on most roller blinds. Due to this feature the R400 comes with a 25 year warranty, providing a serious enhancement in quality over the industry standard. The universal brackets incorporate screw cover caps for a clean visual appearance. The mechanism is geared with a ratio of 1:1.5 to give a lighter and smoother operation.



---

## Standard

Nylon Chain

---

## Optional

Metal Chain

Fixed Crank

Detachable Crank

240v Hardwired Wall Switch

240v Remote Control

Battery

---

## Warranty

25 year

---

## Max. size

Width 3000mm

Drop 3500mm

Surface 10m<sup>2</sup>

---

## Tube size

43mm

---

## Fabrics

Artisan

Artisan+

Artisan Black-Out

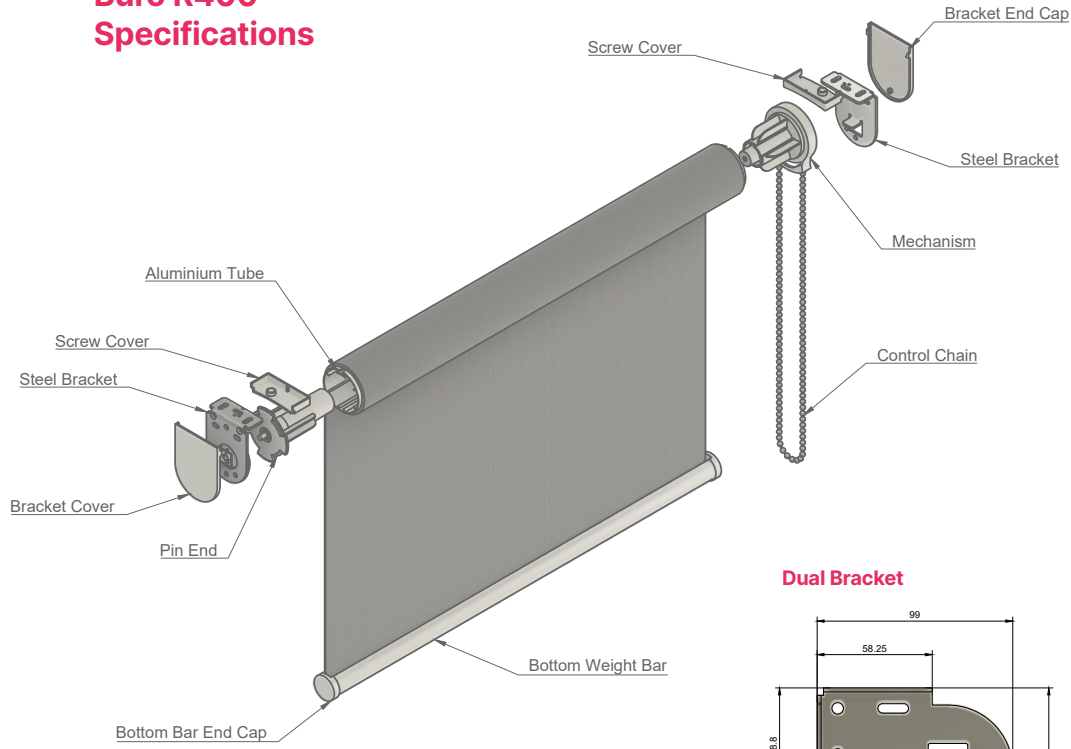
Sombra Eco

Diffusor

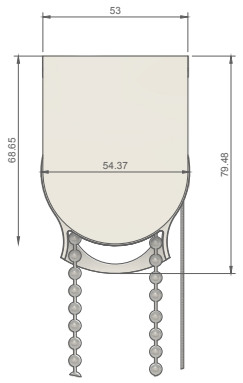
Bespoke



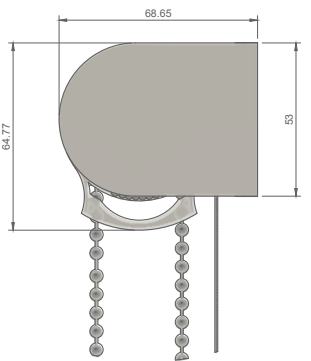
# Buro R400 Specifications



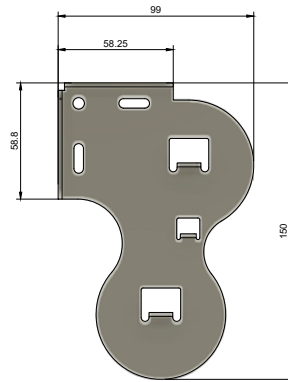
## Top Fix



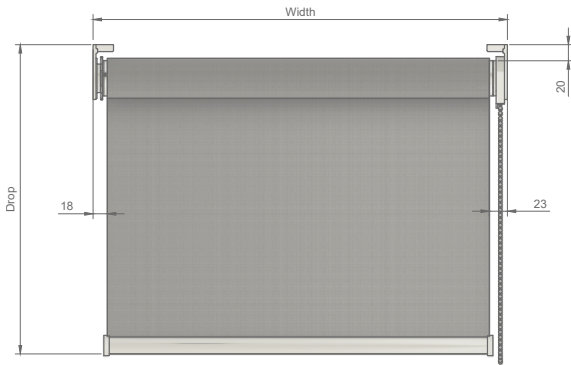
## Face Fix



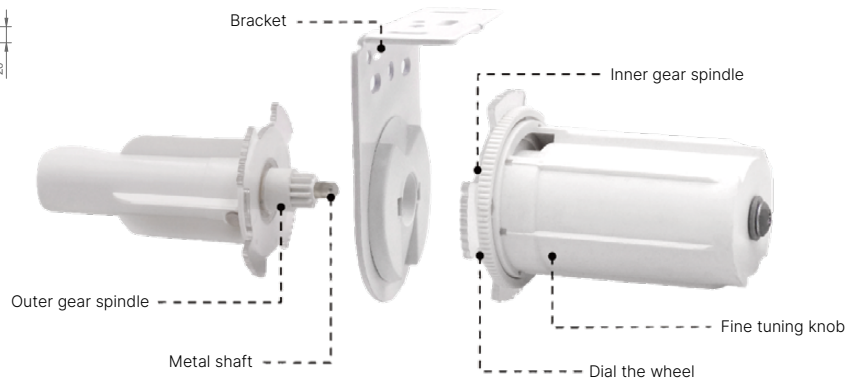
## Dual Bracket



## Light Gap



## Coupler



# Eclipse Fascia System

The Eclipse Fascia system is available on **R400** and **40mm** systems and comes in a choice of black or white.

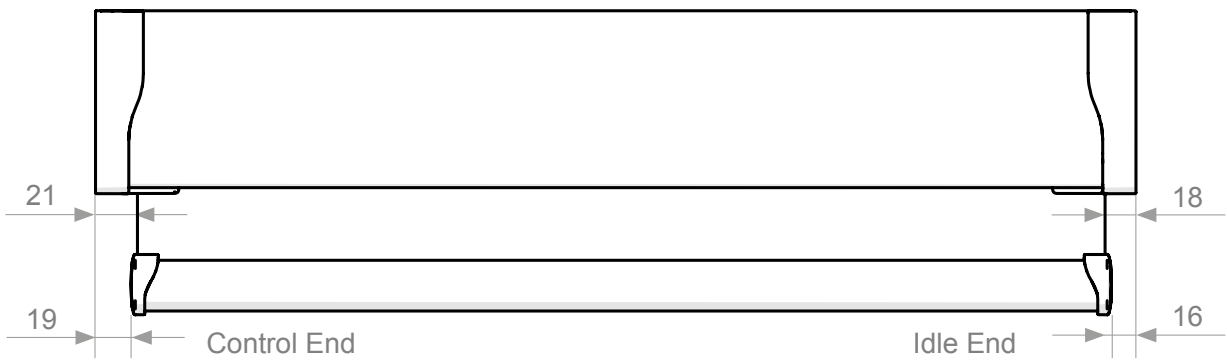
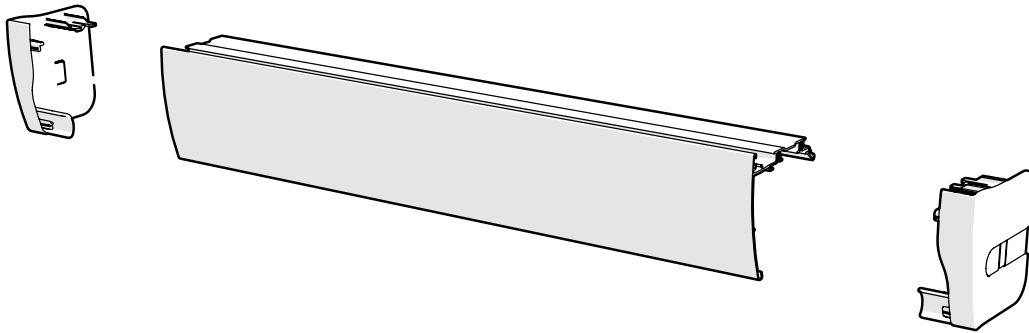
---

Eclipse Fascia System

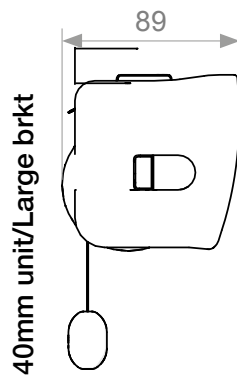
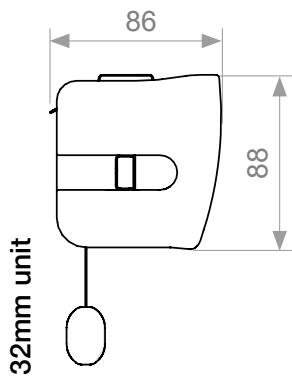
£4.66 each  
+ £18.63/metre



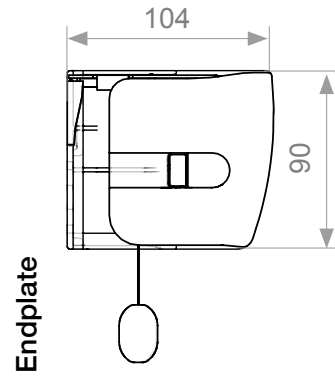
# Eclipse Fascia Specifications



## Top Fix



## Face Fix





## Large Systems

**For when you are required to cover a particularly large glazed area. This range of systems are made with larger diameter roller tubes to enable them to span greater sizes without having to split into multiple blinds.**

<b>R500</b>	<b>20</b>
<b>R600</b>	<b>22</b>
<b>R700</b>	<b>24</b>



# Buro R500

The R500 is the embodiment of style and durability, carrying with it a true reflection of quality and prestige. A precisely engineered orbital gearing system lies at the heart of the manual R500 mechanism. The R500 is extraordinarily quiet and smooth in operation and due to a 61mm aluminium tube can accept the high loads of very wide spans with no complaint.



---

## Standard

Nylon Chain

---

## Optional

Metal Chain

Side Guide Wires

---

## Warranty

5 year

---

## Max. size

Width 4000mm

Drop 4300mm

Surface 16m<sup>2</sup>

---

## Tube size

61mm

---

## Fabrics

Artisan

Nightshade

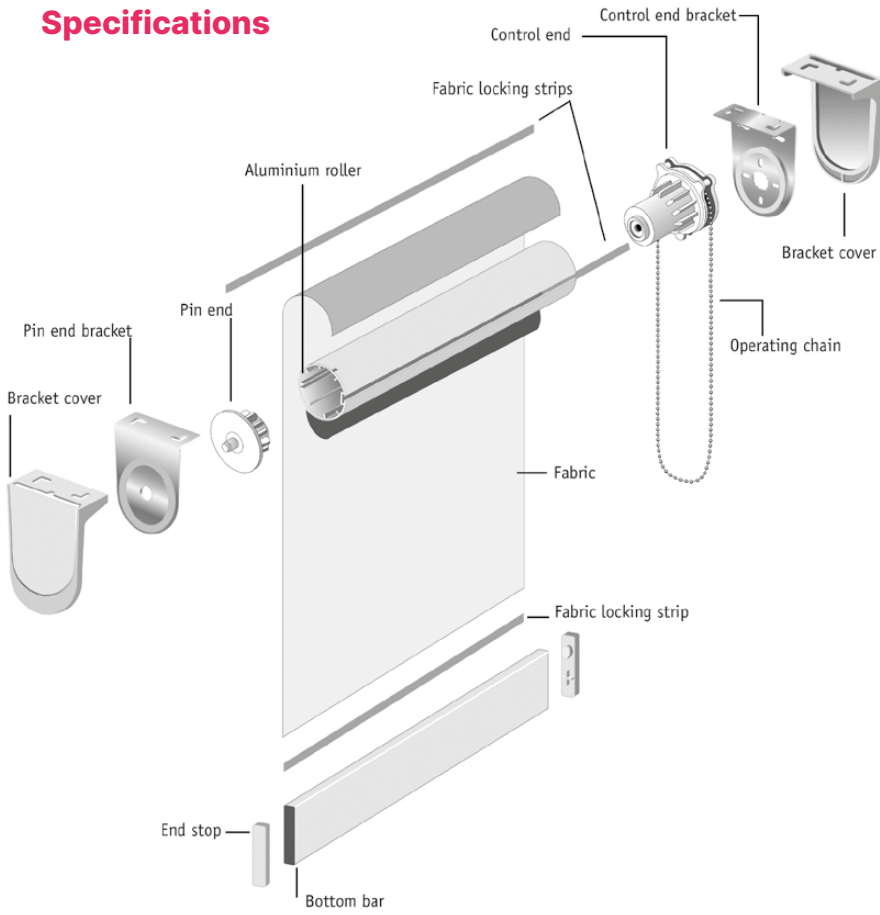
Sombra Eco

Diffusor

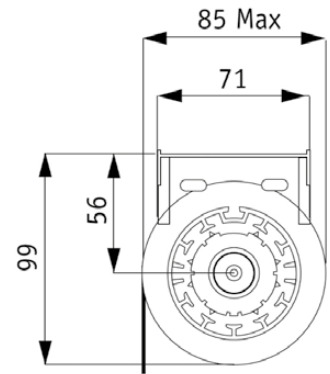
Bespoke



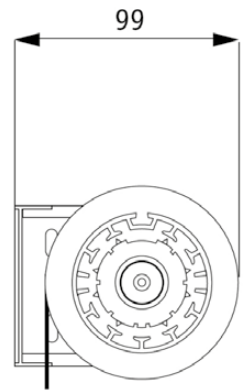
# Buro R500 Specifications



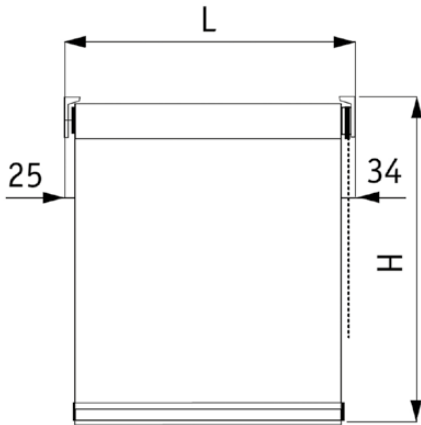
**Top Fix**



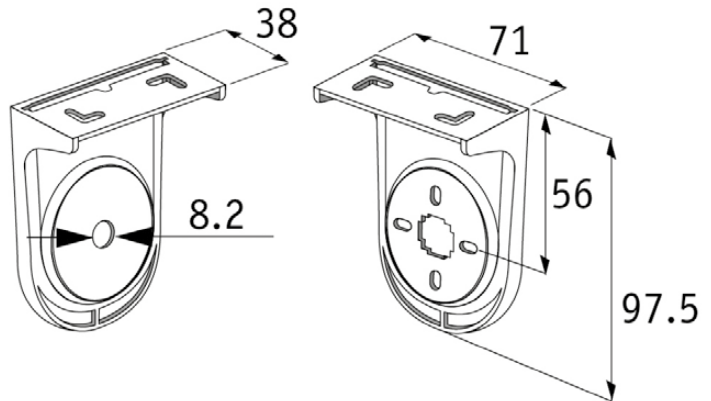
**Face Fix**



**Light Gap**



**Bracket Size**



# Buro R600

The R600 is similar to R500 but with option for crank or electrical operation. A precisely engineered orbital gearing system lies at the heart of the manual R600 mechanism. The R600 is extraordinarily quiet and smooth in operation and due to a 61mm aluminium tube can accept the high loads of very wide spans with no complaint.



---

## Standard

Fixed Crank

---

## Optional

Detachable Crank  
240v Hardwired Wall Switch  
240v Remote Control  
Side Guide Wires

---

## Warranty

5 year

---

## Max. size

Width 4000mm  
Drop 4300mm  
Surface 16m<sup>2</sup>

---

## Tube size

61mm

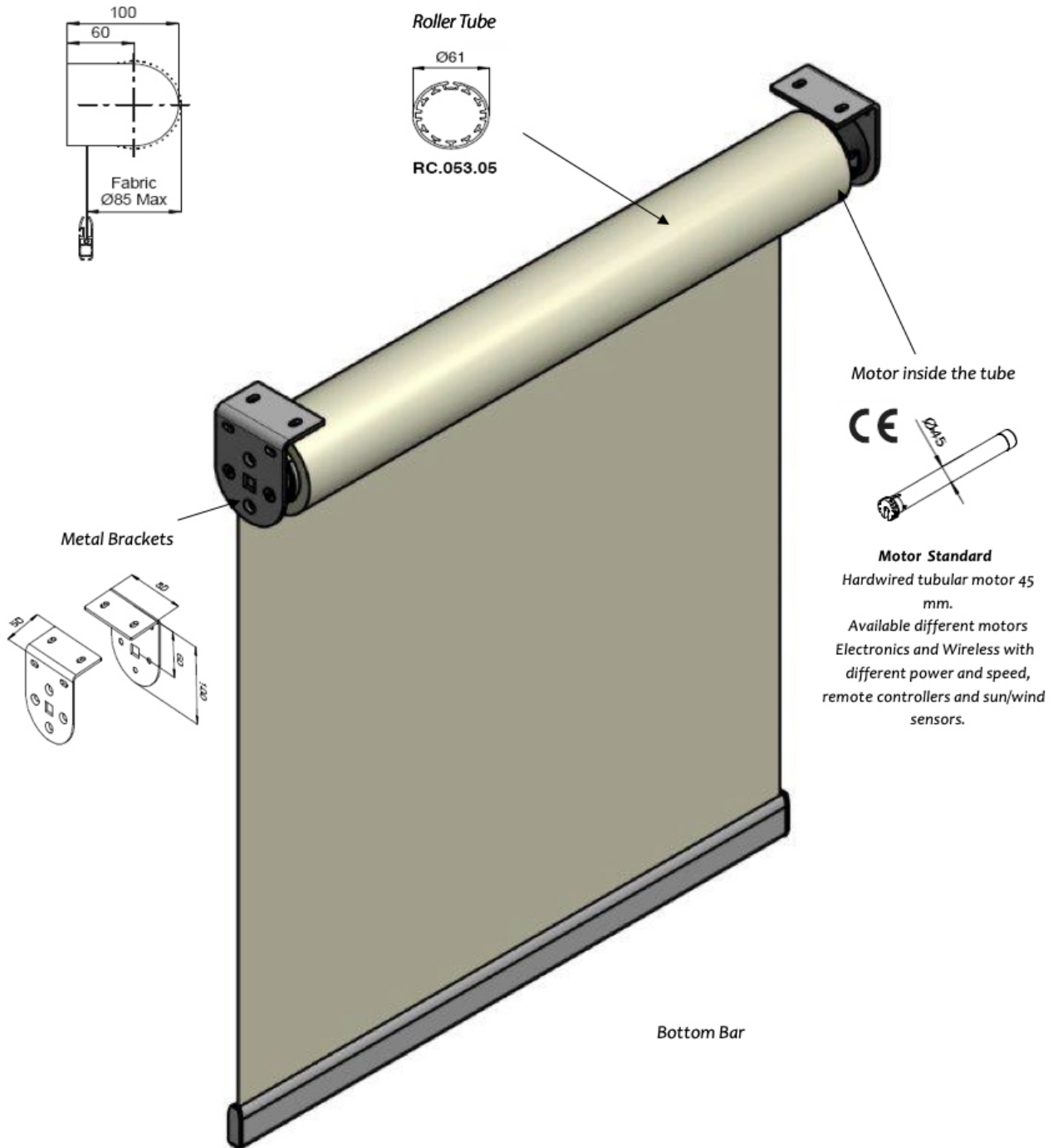
---

## Fabrics

Artisan  
Artisan+  
Artisan Black-Out  
Sombra Eco  
Diffusor  
Bespoke



# Buro R600 Specifications



# Buro R700

The R700 is a true giant in the world of vertical roller blinds. With a heavy duty 78mm steel roller tube this system can reach impressive heights with upto 11 metres drop and a surface area of upto 23.5m<sup>2</sup>. A perfect choice to compliment an impressive large glass atrium or reception area.



---

## Standard

Fixed Crank

---

## Optional

Detachable Crank  
240v Hardwired Wall Switch  
240v Remote Control  
Side Guide Wires

---

## Warranty

5 year

---

## Max. size

Width 4500mm  
Drop 11000mm  
Surface 22.5m<sup>2</sup>

---

## Tube size

78mm

---

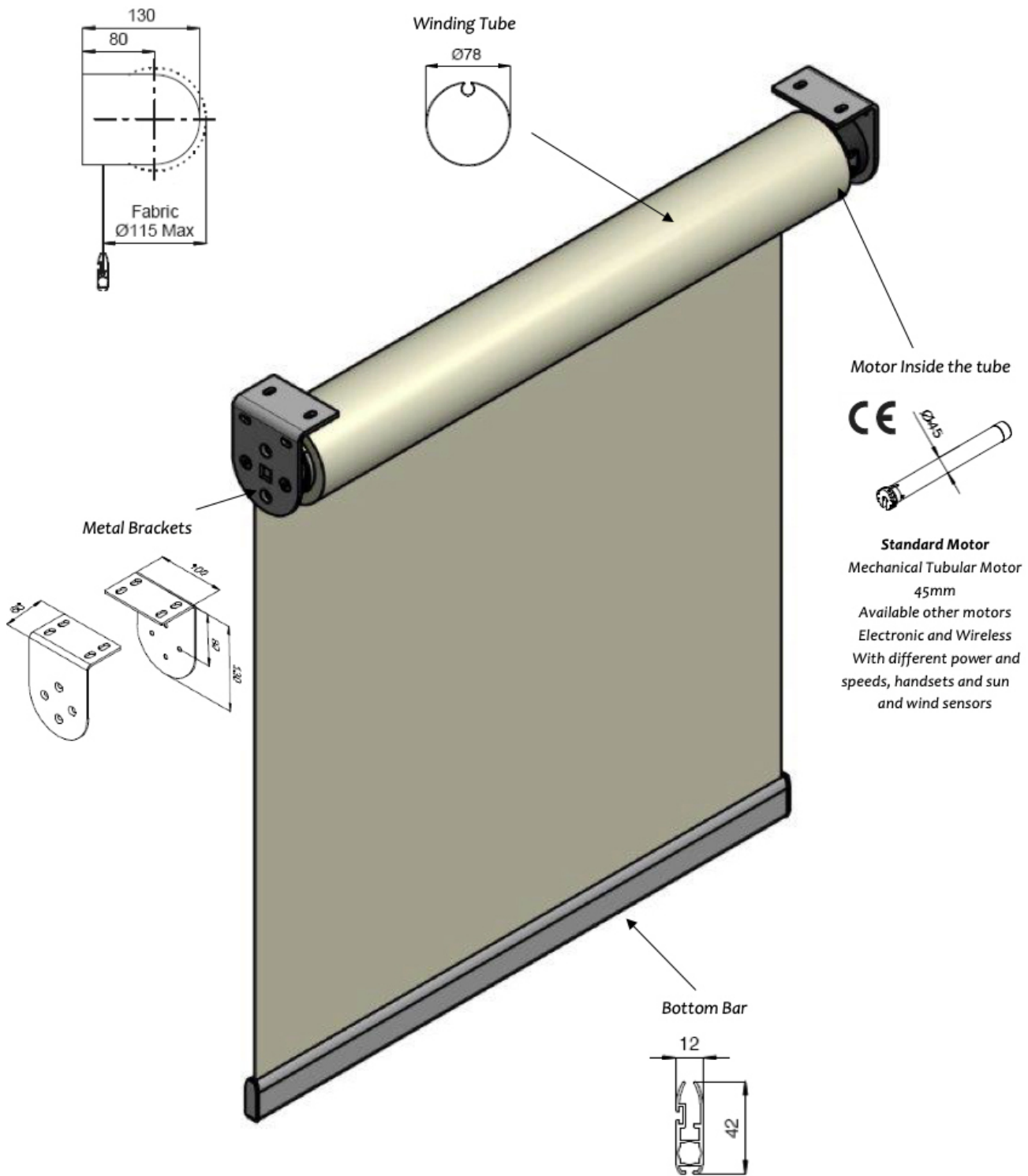
## Fabrics

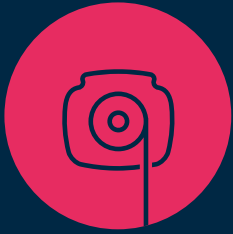
Artisan  
Artisan+  
Artisan Black-Out  
Sombra Eco  
Diffusor  
Bespoke





# Buro R700 Specifications





# Cassette Roller Blinds

**Cassette Roller Blinds offer a sleek and stylish alternative to simple Roller Blinds and are designed to fit neatly into window recesses and achieve close to complete block out of light. This is due to an aluminium cassette around the roller tube & controls and aluminium side channels to stop the light coming around the sides of the fabric.**

<b>C83</b>	<b>28</b>
<b>C110</b>	<b>30</b>
<b>C130</b>	<b>32</b>



# C83

**Room darkening roller blind. This system is commonly used for studios, conference rooms, IT rooms or science laboratories. The C83 is manufactured with an extruded aluminium two part head box which comes in a 83mm cassette size. The roller tube for this system is 45mm reinforced extruded aluminium tube.**



## Standard

Nylon Chain  
Side Channels  
White RAL9016 Hardware

## Max. size

Width 2800mm  
Drop 2600mm  
Surface 8m<sup>2</sup>

## Optional

Metal Chain  
Fixed Crank  
Detachable Crank  
240v Hardwired Wall Switch  
240v Remote Control  
Battery  
No side channels  
Black RAL9005 Hardware  
Grey Anodised Hardware

## Fabrics

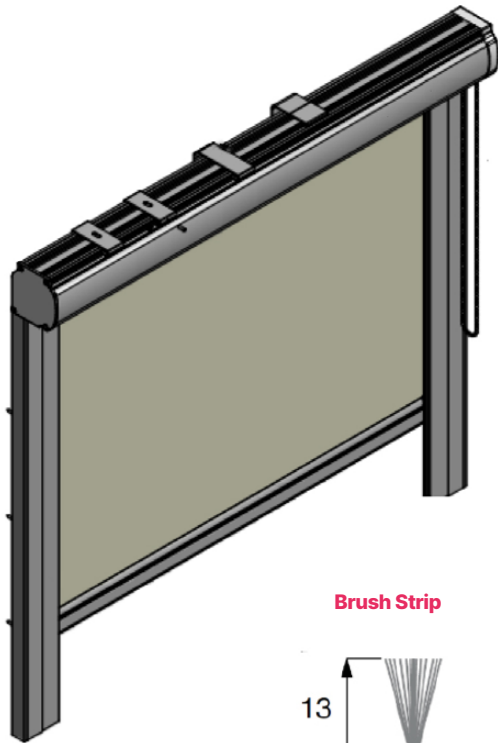
Artisan  
Artisan+  
Artisan Black-Out  
Sombra Eco  
Diffusor  
Bespoke

## Warranty

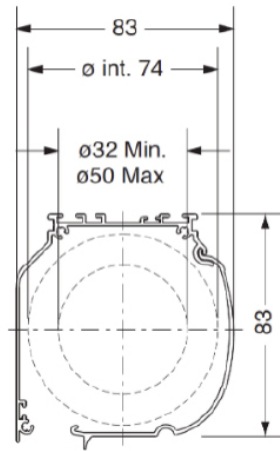
5 year



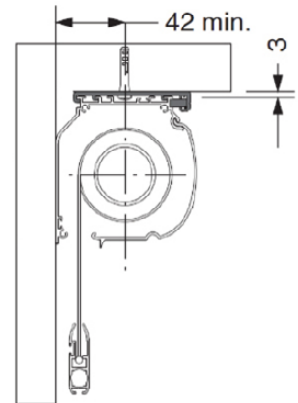
# C83 Specifications



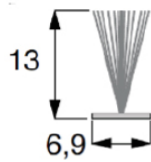
**Headbox**



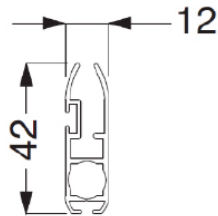
**Top Fix**



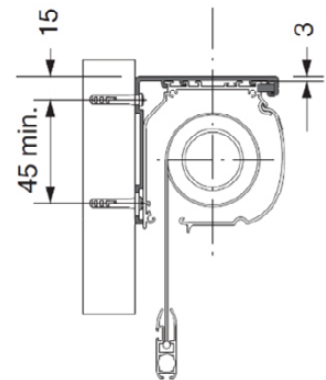
**Brush Strip**



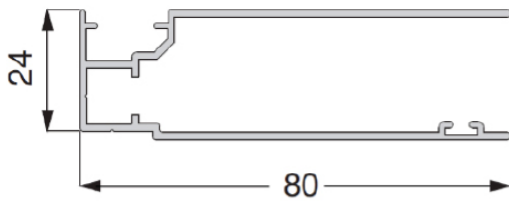
**Bottom Bar**



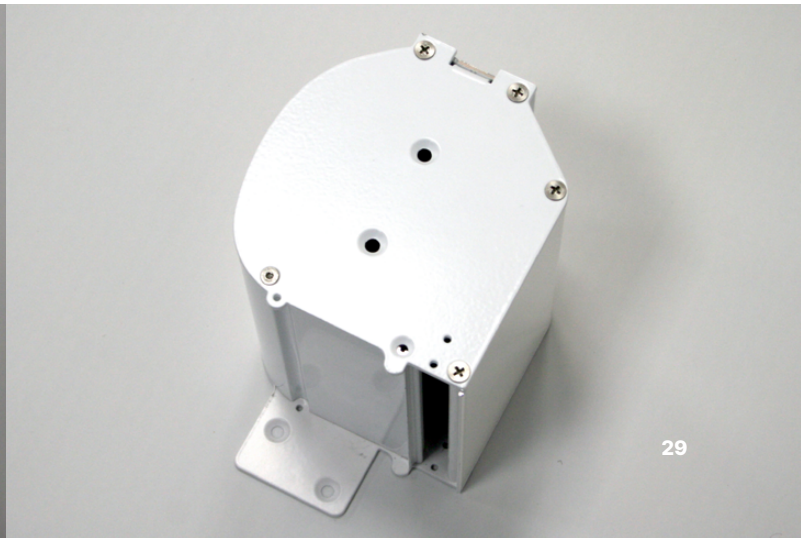
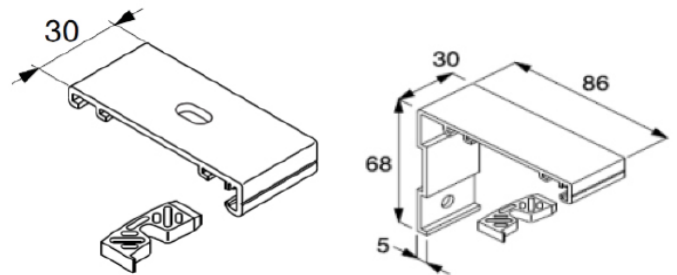
**Face Fix**



**Side Channel**



**Bracket Detail**



# C110

**Room darkening roller blind. This system is commonly used for studios, conference rooms, IT rooms or science laboratories. The C110 is manufactured with an extruded aluminium two part head box which comes in a 110mm cassette size. The roller tube for this system is 78mm reinforced extruded aluminium tube.**



## Standard

Fixed Crank  
Side Channels  
White RAL9016 Hardware

## Optional

Detachable Crank  
240v Hardwired Wall Switch  
240v Remote Control  
Battery  
No Side Channels  
Black RAL9005 Hardware  
Grey Anodised Hardware

## Warranty

5 year

## Max. size

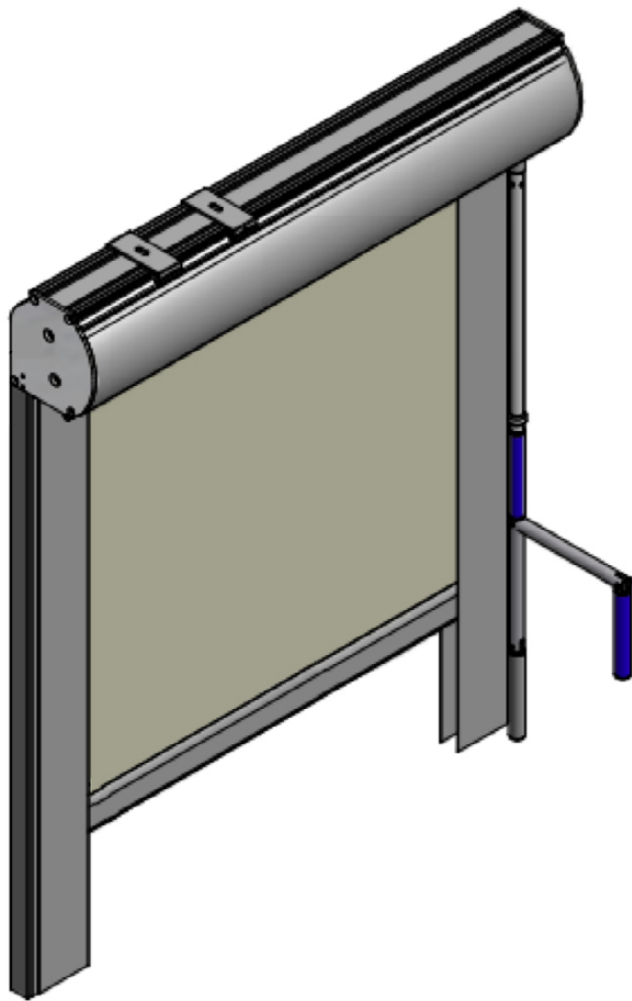
Width 4000mm  
Drop 3200mm (4500mm  
without side channels  
Surface 18m<sup>2</sup>

## Fabrics

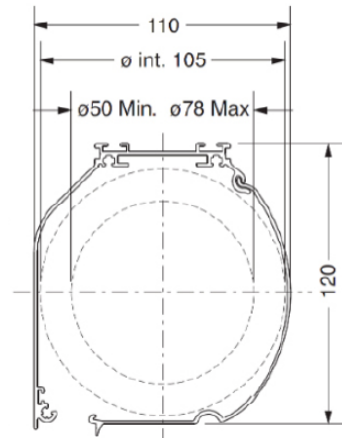
Artisan  
Artisan+  
Artisan Black-Out  
Sombra Eco  
Diffusor  
Bespoke



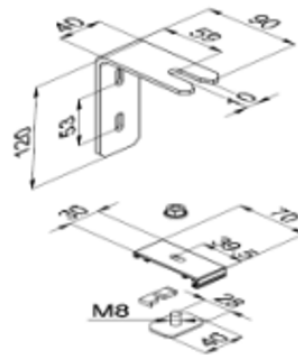
# C110 Specifications



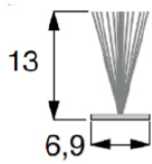
**Headbox**



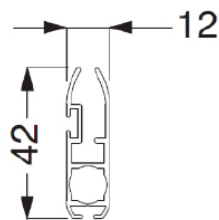
**Brackets**



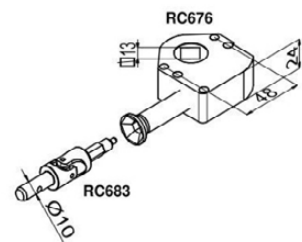
**Brush Strip**



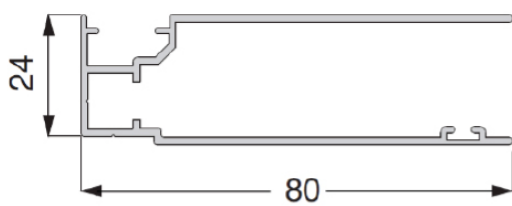
**Bottom Bar**



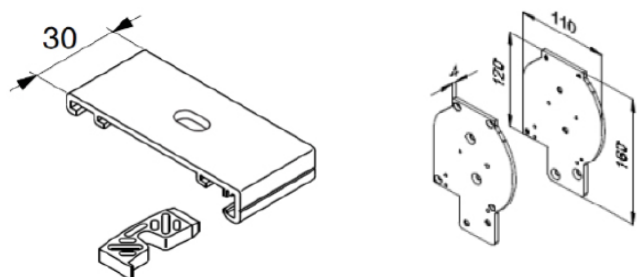
**Crank**



**Side Channel**



**Bracket Detail**



# C130

**Room darkening roller blind. This system is commonly used for studios, conference rooms, IT rooms or science laboratories. The C130 is manufactured with an extruded aluminium two part head box which comes in a 130mm cassette size. The roller tube for this system is 85mm reinforced extruded aluminium tube.**



## Standard

Fixed Crank  
Side Channels  
White RAL9016 Hardware

## Optional

Detachable Crank  
240v Hardwired Wall Switch  
240v Remote Control  
Battery  
No Side Channels  
Black RAL9005 Hardware  
Grey Anodised Hardware

## Warranty

5 year

## Max. size

Width 4500mm  
Drop 3200mm (5000mm  
without side channels  
Surface 22.5m<sup>2</sup>

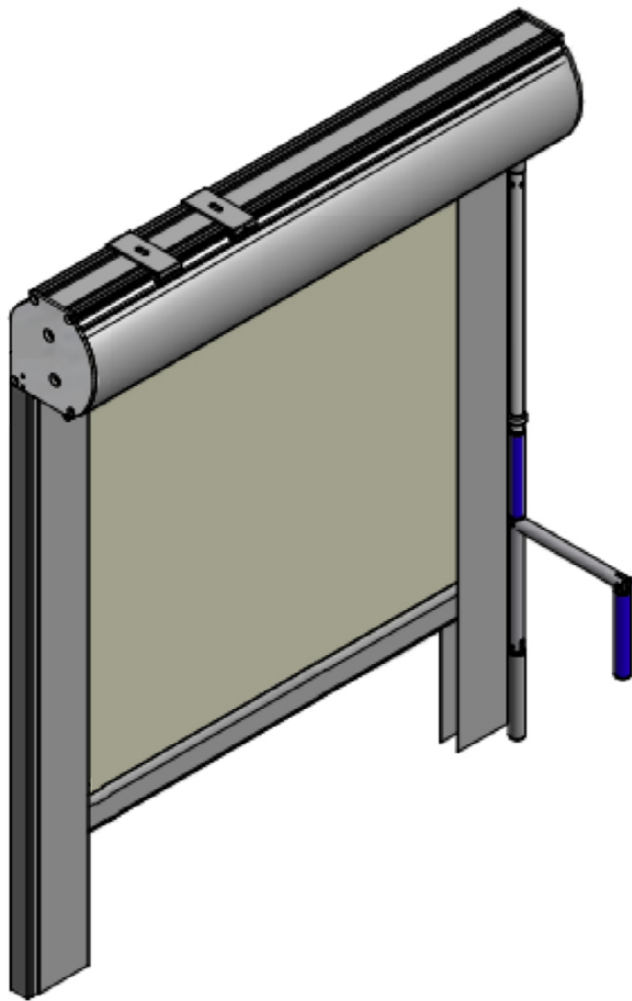
## Fabrics

Artisan  
Artisan+  
Artisan Black-Out  
Sombra Eco  
Diffusor  
Bespoke

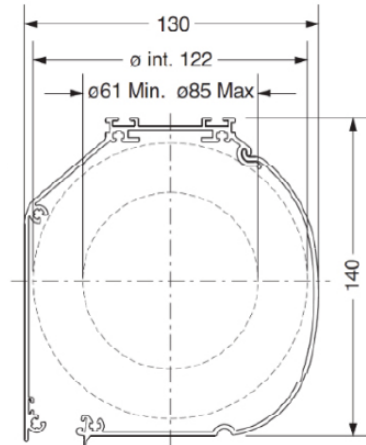




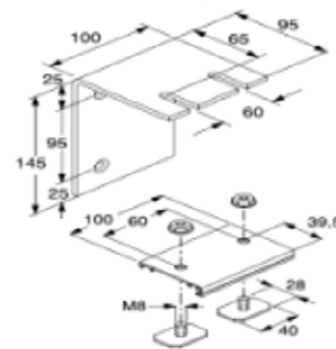
# C130 Specifications



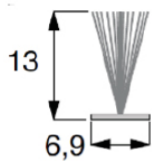
**Headbox**



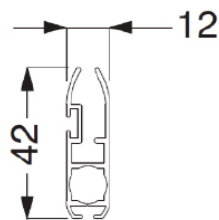
**Brackets**



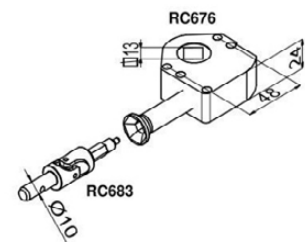
**Brush Strip**



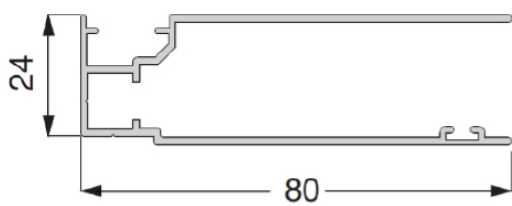
**Bottom Bar**



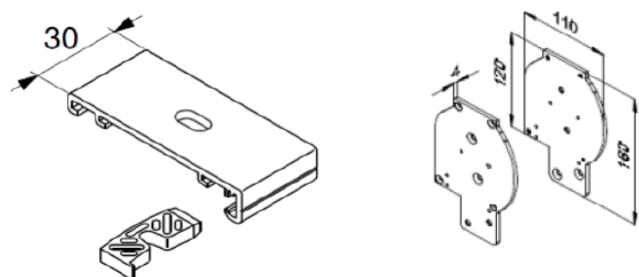
**Crank**



**Side Channel**



**Bracket Detail**





# Horizontal Rooflight Blinds

**Buroshade's Horizontal Rooflight Blinds are based on the easy-access design of our Cassette Roller Blinds. The "CR" systems have a roller at each end of the opening – one holding the fabric and the other acting as the tension mechanism. The "TR" systems are more advanced: these hold the fabric and tensioning mechanism at one end of the opening in a single mechanism. Perfect for large architectural glazed roof areas.**

<b>CRX</b>	<b>36</b>
<b>CR83</b>	<b>38</b>
<b>CR110</b>	<b>40</b>
<b>TR85</b>	<b>42</b>



# CRX

**The CRX System is a baseline product and is not supplied with a Cassette or side channels. This is a perfect product for smaller rooflight applications.**



---

## Standard

Fixed Crank  
Side Guide Wires

---

## Optional

Detachable Crank  
240v Hardwired Wall Switch  
240v Remote Control  
Battery

---

## Warranty

5 year

---

## Max. size

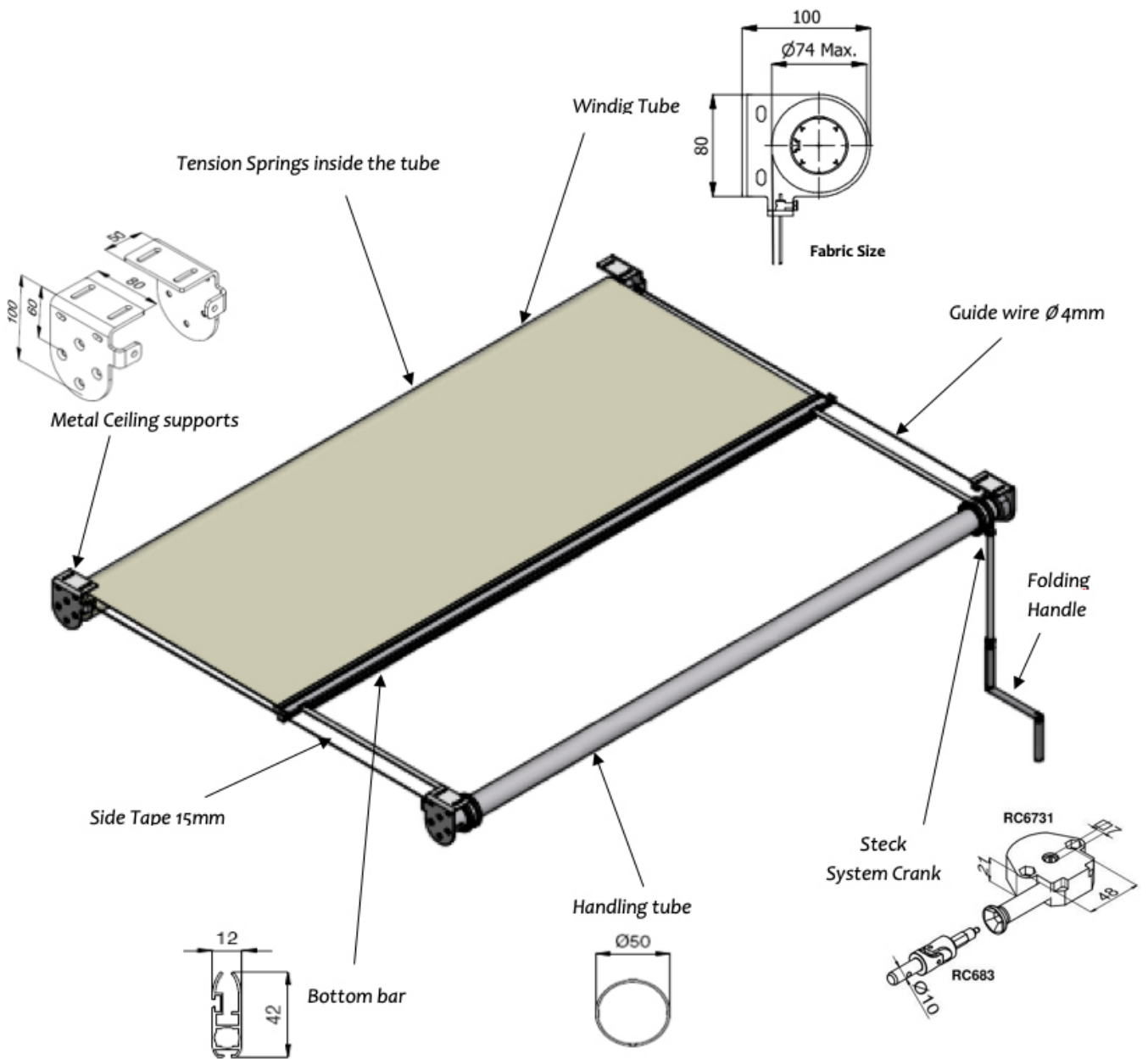
Width 1600mm  
Drop 2000mm  
Surface 3.2m<sup>2</sup>

---

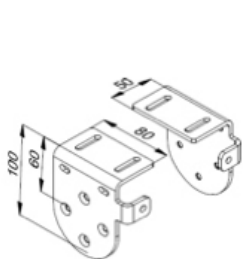
## Fabrics

Sombra Tensile  
Diffusor  
Bespoke

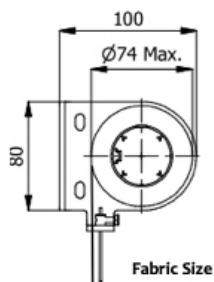
# CRX Specifications



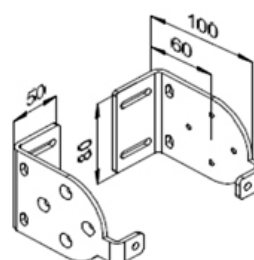
## Options



Metal Ceiling supports



Windig Tube



Metal Wall Fixing



# CR83

**Cassette tension roller blind for horizontal applications. Manufactured with an extruded aluminium two part head box each end of the opening and extruded aluminium side channels. Cassette size is 83mm.**



---

## Standard

Fixed Crank  
Side Channels  
White RAL9016 Hardware

---

## Max. size

Width 1600mm  
Drop 2000mm  
Surface 3.2m<sup>2</sup>

---

## Optional

Detachable Crank  
240v Hardwired Wall Switch  
240v Remote Control  
Battery  
Black RAL9005 Hardware  
Grey Anodised Hardware

---

## Fabrics

Sombra Tensile  
Diffusor  
Bespoke

---

## Warranty

5 year



**CR83**  
**Specifications**



# CR110

**Cassette tension roller blind for horizontal applications. Manufactured with an extruded aluminium two part head box each end of the opening and extruded aluminium side channels. Cassette size is 110mm.**



---

## Standard

Fixed Crank  
Side Channels  
White RAL9016 Hardware

---

## Max. size

Width 1600mm  
Drop 2600mm  
Surface 6m<sup>2</sup>

---

## Optional

Detachable Crank  
240v Hardwired Wall Switch  
240v Remote Control  
Battery  
Black RAL9005 Hardware  
Grey Anodised Hardware

---

## Fabrics

Sombra Tensile  
Diffusor  
Bespoke

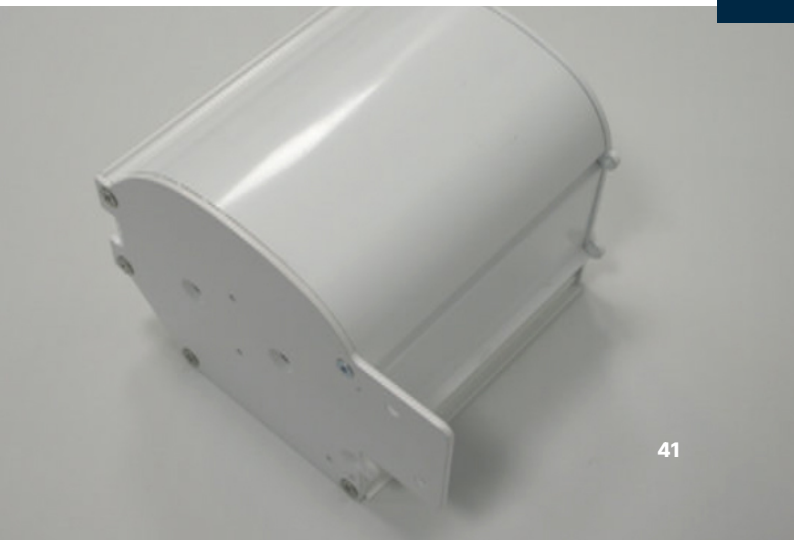
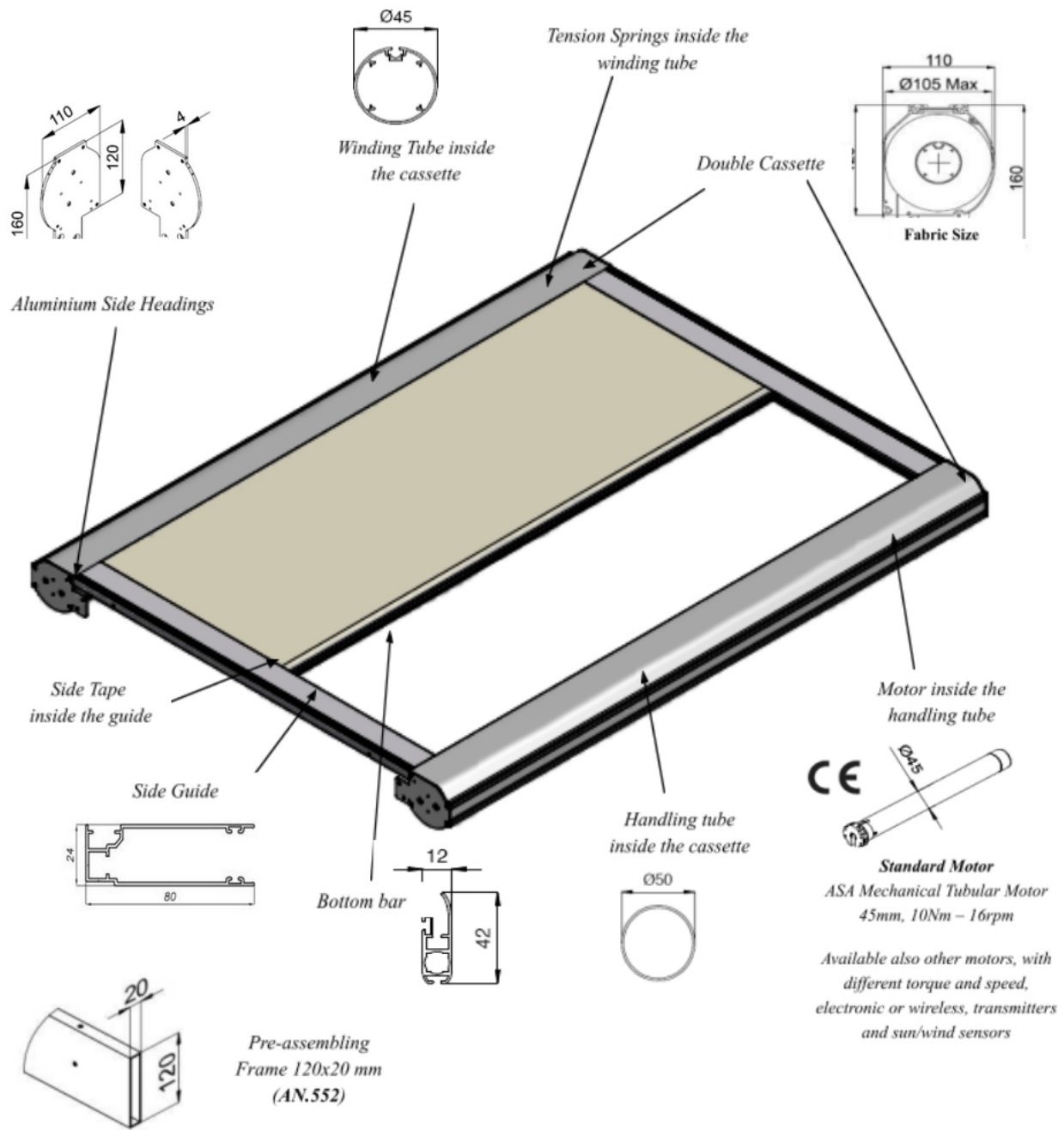
---

## Warranty

5 year



# CR110 Specifications



# TR85

**TR85 System is a heavy duty tension roller for large horizontal rooflight or bottom-up applications. Due to the 85mm steel roller tube and hi-tension capability, this product can deliver an un-matched smooth finish over large horizontal openings. All tension is created by the unique single tension mechanism so the blind only requires a barrel at one end of the opening, this reduces visible hardware to preserve a clean overall finish.**



---

#### **Standard**

240v Hardwired Wall Switch  
Side Guide Wires

---

#### **Optional**

240v Remote Control

---

#### **Warranty**

5 year

---

#### **Max. size**

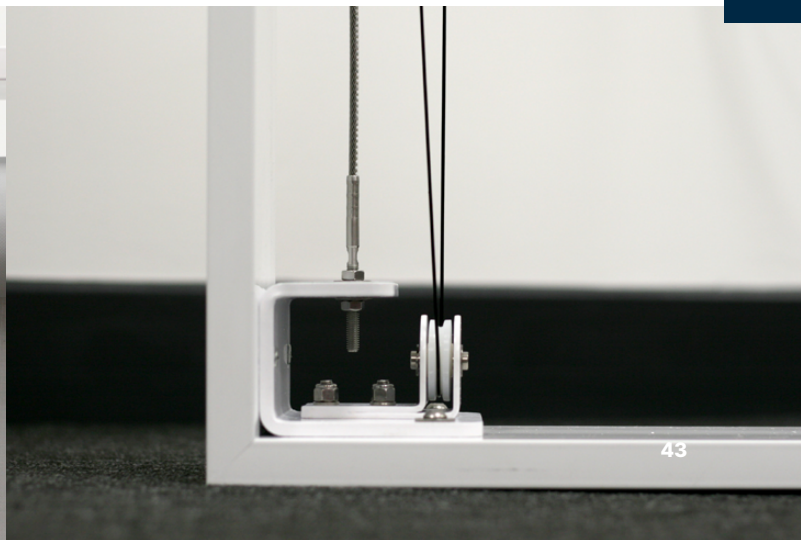
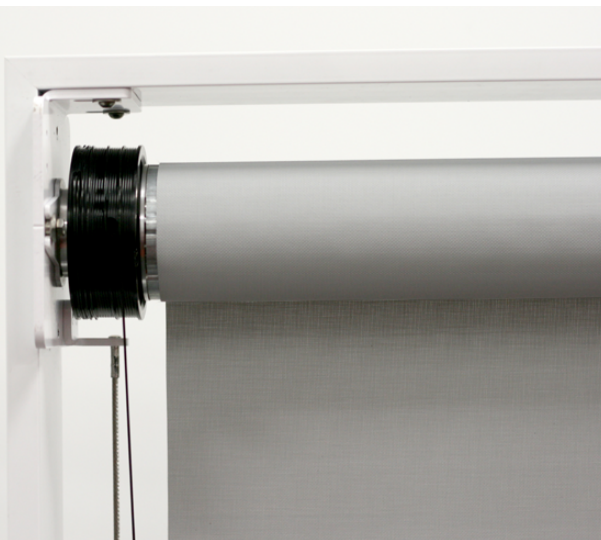
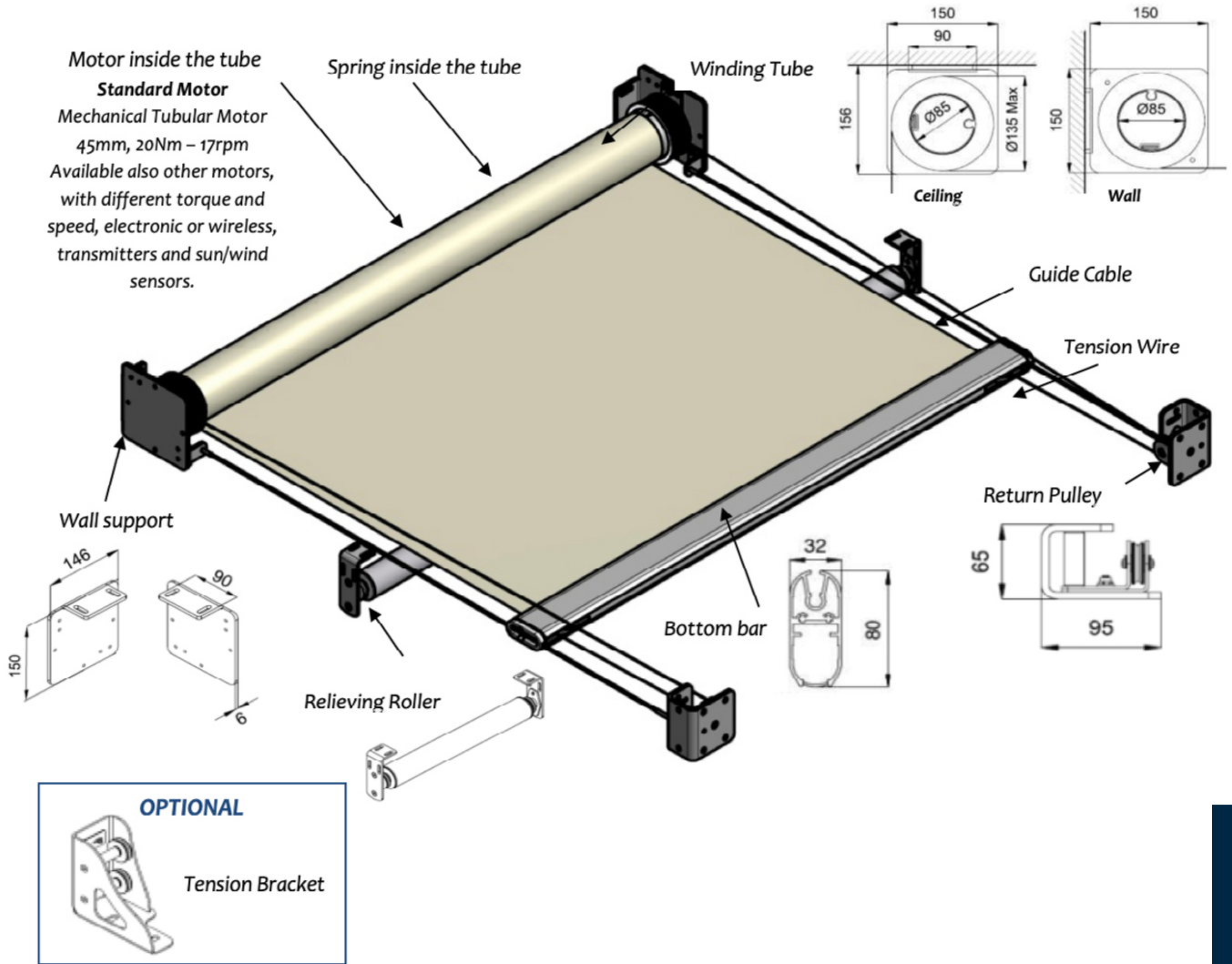
Width 4000mm  
Length 6000mm  
Surface 16m<sup>2</sup>  
Max. Lift Weight 28kg

---

#### **Fabrics**

Sombra Tensile  
Diffusor  
Bespoke

# TR85 Specifications





# Fabrics

Select your preferred fabric,  
with options to suit every requirement.



- Rs** Percentage of Solar/Heat reflected by fabric
- Ts** Percentage of Solar/Heat transmitted by fabric
- As** Percentage of Solar/Heat absorbed by fabric
- Rv** Percentage of Visual/Light reflected by fabric
- Tv** Percentage of Visual/Light transmitted by fabric
- Av** Percentage of Visual/Light absorbed by fabric
- S-C** Solar heat gain with blind at the window divided by solar heat gain with no blind at window. The lower the shading coefficient, the higher the efficiency of the fabric.

<b>Artisan</b>	<b>46</b>
<b>Nightshade</b>	<b>48</b>
<b>Diffusor</b>	<b>50</b>
<b>Sombra Eco</b>	<b>52</b>
<b>Sombra Tensile</b>	<b>54</b>



# Artisan

**Artisan is a Cool-toned range of neutral hues which creates a simple, classic foundation for you to add your personal style. This durable textured dim-out fabric is treated with British Standard fire retardant (FR) coating and is designed to provide dim-out shading with privacy.**

---

**Function**

Dim-Out (Privacy)

---

**Composition**

100% Polyester

---

**Cleaning**

Wipe with damp sponge; Do not wash; Do not tumble dry; Do not dry clean; Do not iron

---

**Roll width**

2m/2.5m

---

**Weight**

223g/m<sup>2</sup>

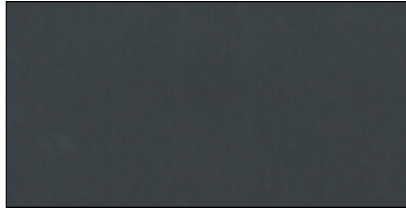
---

**FR**

EN 13773: 2003 Class 1; BS5867 – 2, Type B: 2008 for fire retardancy when tested in accordance with BS5438: 1989



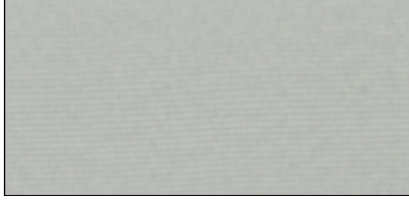
728 Coal



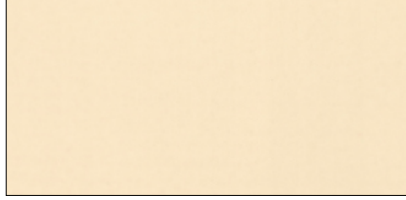
727 Anvil



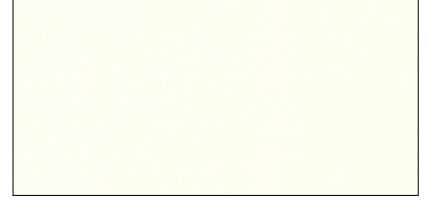
726 Pewter



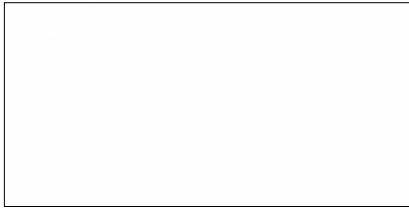
715 Clay



714 Flax



712 Vellum



711 Parchment

Fabric	Colour	Roll width	Heat		Light		S-C
			Ts	Rs	Tv	Rv	
Artisan	711 Parchment	2m, 2.5m	22	72	19	81	0.30
Artisan	712 Vellum	2m, 2.5m	26	64	24	74	0.38
Artisan	714 Flax	2m, 2.5m	16	46	3	35	0.56
Artisan	715 Clay	2m, 2.5m	19	41	9	39	0.60
Artisan	726 Pewter	2m, 2.5m	20	31	4	16	0.70
Artisan	727 Anvil	2m, 2.5m	13	32	0	12	0.69
Artisan	728 Coal	2m, 2.5m	12	23	0	6	0.78



# Nightshade

**Our Nightshade fabrics offer the same touch and durable fire retardant (FR) performance as the standard Artisan range, but with a smooth PVC blackout coating on the reverse side. This produces a luxurious soft finish at the same time as full black-out performance.**

---

**Function**

Black-Out

---

**Composition**

100% Polyester

---

**Cleaning**

Do not soak. Clean by gently wiping with a sponge

---

**Roll width**

2.5-2.7m

---

**Weight**

295g/m<sup>2</sup>

---

**FR**

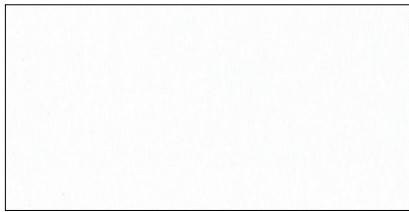
B1, M2

---

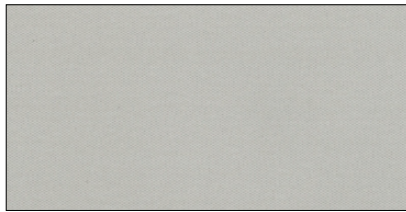
**Thickness**

0.35mm +/- 0.05mm





711 White



715 Clay



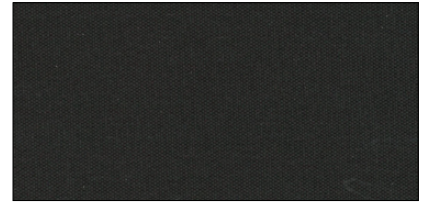
726 Pewter



727 Anvil



722 Aged Oak



728 Black

Fabric	Colour	Roll Width	Weight g/m <sup>2</sup>	Thickness	Solar			Light		
					Rs	Ts	As	Rv	Tv	Av
Nightshade	711 White	2500mm	289	0.42	72%	0%	28%	83%	0%	17%
Nightshade	715 Clay	2500mm	289	0.42	52%	0%	48%	54%	0%	46%
Nightshade	726 Pewter	2500mm	289	0.42	25%	0%	75%	25%	0%	75%
Nightshade	727 Anvil	2500mm	289	0.42	21%	0%	79%	22%	0%	78%
Nightshade	722 Aged Oak	2500mm	289	0.42	32%	0%	68%	30%	0%	70%
Nightshade	728 Black	2500mm	289	0.42	5%	0%	95%	5%	0%	95%



# Diffusor

**Our Diffusor range is a more technical screen fabric designed to provide shading and privacy, without losing the benefit of natural light. Made from thin lightweight yarns, woven into a full basket weave, Diffusor will reduce solar glare without fully blocking light. Diffusor comes in a range of neutral colours, with openness factors ranging from 1% to 5%.**

---

## Function

Screen (Glare, heat gain & UV control). Bacterial and fungal resistance.

---

## Composition

75% PVC 25% Polyester

---

## Cleaning

Wipeable

---

## Roll Width

2m/2.5m/3m

---

## Weight

1% 520g/m<sup>2</sup>, 3% 445g/m<sup>2</sup>, 5% 415g/m<sup>2</sup>. (+/-5%)

---

## FR

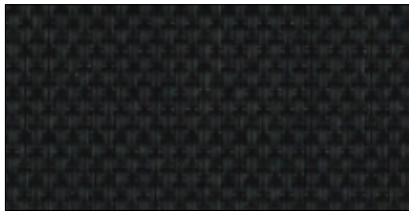
M1, B1 (DIN 4102-1).  
BS5867 Type B.

---

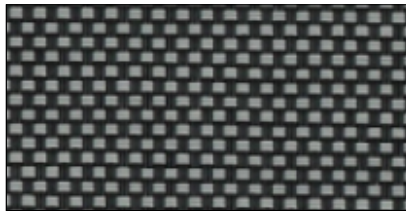
## Thickness

1% 0.57mm, 3% 0.60mm, 5% 0.60mm (+/- 0.05)

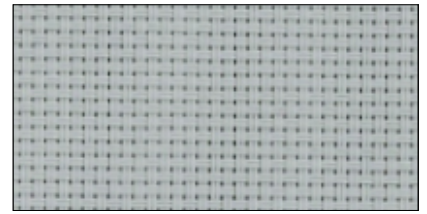




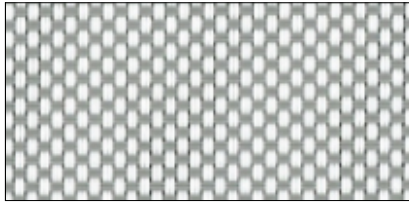
Black



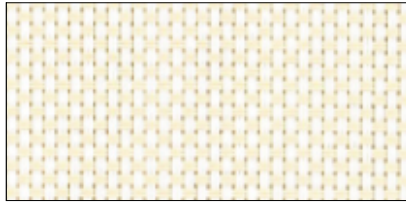
Black-Grey



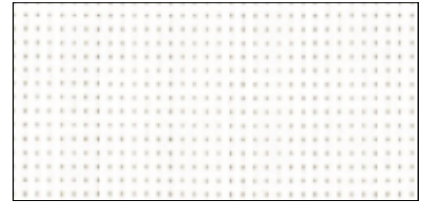
Grey



White/Grey



White/Beige



White

Fabric	Colour	Roll width	Heat		As	Light Tv
			Ts	Rs		
Diffusor 1%	Black	2.5-3.0m	3.0%	5.0%	92.0%	3.0%
Diffusor 1%	Black/Grey	2.5-3.0m	0.0%	7.0%	93.0%	0.0%
Diffusor 1%	Grey	2.5-3.0m	4.0%	34.0%	62.0%	1.0%
Diffusor 1%	White/Grey	2.5-3.0m	8.0%	59.0%	33.0%	4.0%
Diffusor 1%	White/Beige	2.5-3.0m	13.0%	66.0%	21.0%	8.0%
Diffusor 1%	White	2.5-3.0m	9.0%	76.0%	15.0%	4.0%
Diffusor 3%	Black	2.5-3.0m	5.0%	4.0%	91.0%	4.0%
Diffusor 3%	Black/Grey	2.5-3.0m	5.0%	9.0%	86.0%	5.0%
Diffusor 3%	Grey	2.5-3.0m	8.0%	32.0%	60.0%	6.0%
Diffusor 3%	White/Grey	2.5-3.0m	8.0%	38.0%	54.0%	7.0%
Diffusor 3%	White/Beige	2.5-3.0m	16.0%	62.0%	22.0%	15.0%
Diffusor 3%	White	2.5-3.0m	19.0%	71.0%	10.0%	16.0%
Diffusor 5%	Black	2.5-3.0m	6.0%	4.0%	90.0%	6.0%
Diffusor 5%	Black/Grey	2.5-3.0m	9.0%	8.0%	83.0%	9.0%
Diffusor 5%	Grey	2.5-3.0m	11.0%	30.0%	59.0%	7.0%
Diffusor 5%	White/Grey	2.5-3.0m	11.0%	37.0%	52.0%	9.0%
Diffusor 5%	White/Beige	2.5-3.0m	19.0%	57.0%	24.0%	15.0%
Diffusor 5%	White	2.5-3.0m	25.0%	65.0%	10.0%	20.0%



# Sombra Eco

**Our Sombra Eco fabrics are exceptionally durable and stain-resistant, due to their wipeable PVC finish. This tough black-out fabric is available in a range of popular colours to suit any commercial/residential or educational environment, and is fire retardant (FR) to the relevant British Standard.**

---

**Function**

Black-Out (PVC Finish)

---

**Composition**

72% / 28% Glassfibre

---

**Cleaning**

Wipe Clean

---

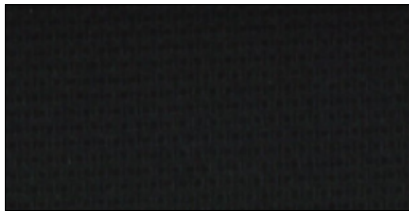
**Weight**

425g/m<sup>2</sup> approx

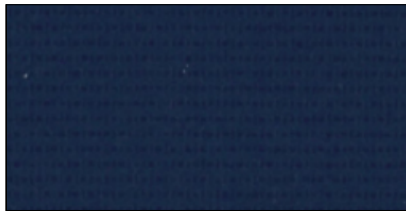
---

**FR**

BS:5867:1980 Part 2 Type B



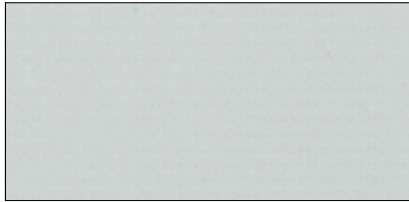
11 Black



08 Navy



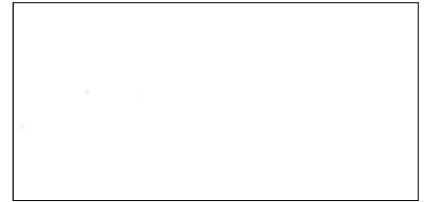
05 Thunder Grey



04 Dove Grey



06 Beige



01 White

Fabric	Colour	Roll width	Heat		Light	
			T	R	T	R
Sombra Eco	01 White	2.5m	1%	56%	0%	78%
Sombra Eco	04 Dove Grey	2.5m	1%	39%	0%	56%
Sombra Eco	05 Thunder Grey	2.5m	0%	29%	0%	n/a
Sombra Eco	06 Beige	2.5m	0%	63%	0%	71%
Sombra Eco	08 Navy	2.5m	0%	9%	0%	6%
Sombra Eco	11 Black	2.5m	0%	4%	0%	4%



# Sombra Tensile

**Sombra Tensile is an advance on the standard “Sombra Eco” range. This fabric offers the same wipeable PVC black-out finish but is substantially thicker. This is specifically for use with our tension rooflight and external systems.**

---

**Function**

Black-Out (Tension)

---

**Roll Width**

2.5m/3m

---

**Composition**

High Strength Polyester + PVC

---

**Weight**

800g/m<sup>2</sup>

---

**Cleaning**

Wipe Clean

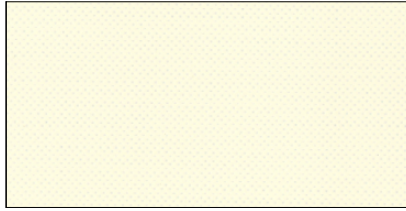
---

**FR**

C2



908 White



112 Cream



717 Grey



# Wholesale

**Buroshade wholesale solution provides you with a halfway house between importing directly from a mill and buying from a regular UK wholesaler. In line with our drive to focus, we offer a small tried and tested range of common fabrics and common profiles that are well stocked in the UK and supplied in manageable MoQ's.**

---

## **Aluminium Supply**

If you are looking for a more efficient supply of aluminium profile, this is your answer. Using our own production as a test bed we are now able to provide manufacturers with a better supply chain solution for common aluminium profiles.

---

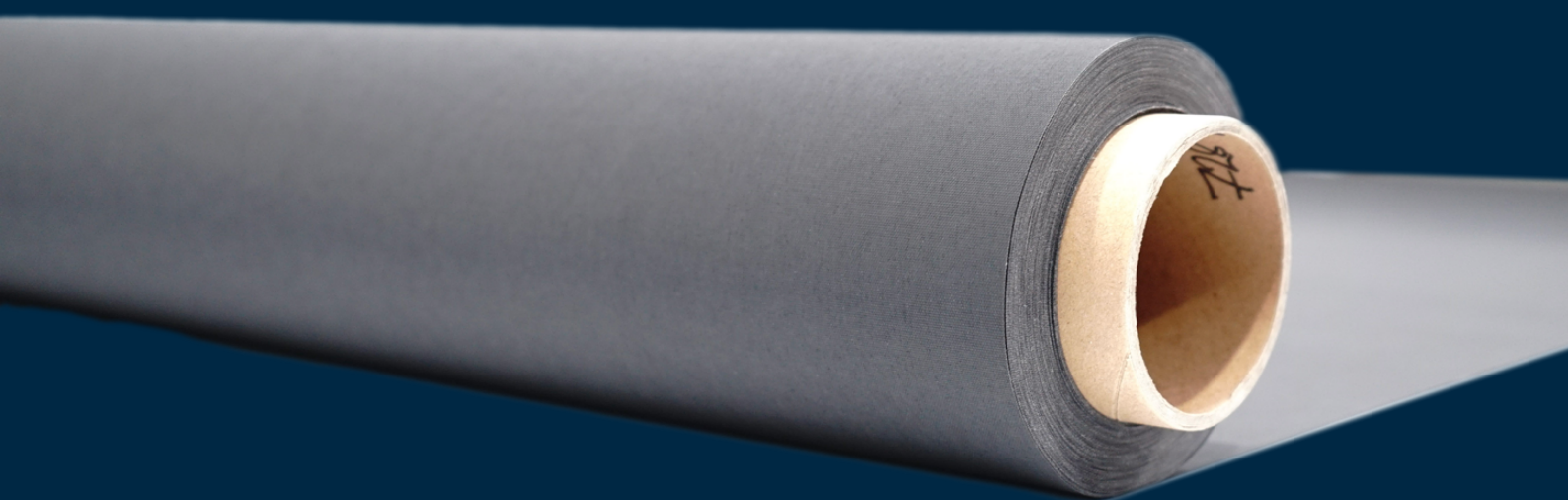
## **Fabrics Supply**

Our small (focused) range of fire retardant roller blind fabrics is well stocked in the UK and will cover 80% of your requirements in a highly efficient and competitive way.



# Component Price List

Product			
R400 Mechanism & Brackets	Box 50	POA	each
R400 Tube	6m x 200 Pack	POA	per metre
40mm Double Slot	6m x 200 Pack	POA	per metre
32mm Single Slot	6m x 200 Pack	POA	per metre
ERW Bottom Bar	6m x 200 Pack	POA	per metre
R400 Tube (pre-taped 25mm)	6m x 200 Pack	POA	per metre
40mm (pre-taped 12.5mm)	6m x 200 Pack	POA	per metre
32mm (pre-taped 12.5mm)	6m x 200 Pack	POA	per metre
3% Diffusor 300cm	50m Roll	POA	per metre
Nightshade 250cm	30m Roll	POA	per metre
Artisan 250cm	30m Roll	POA	per metre



# Delivery & Fast Track Prices

Fast Track Manufacture (4 days)**	POA	per 15 blinds
Dedicted Timed Site Delivery	POA	per loaded mile
Standard Day Delivery (West Midlands)	POA	per order
Standard Day Delivery (South Wales & South West)	POA	per order
Standard Day Delivery (North)	POA	per order
Standard Day Delivery (South East & London)	POA	per order + TFL charges where applicable
FedEx / Courier 1-25 blinds	POA	

\*\* subject to stock availability and production capacity

**5% discount** for orders placed using Buroshade order form

download at [buroshade.com/order-form](https://buroshade.com/order-form)





**Roller blinds. It's what we do.**

Call: 0333 050 9885 Visit: [buroshade.com](http://buroshade.com)

**Find your competitive advantage.**

**To start working with Buroshade  
please contact our sales team for  
trade only pricing:**

**Email: [sales@buroshade.com](mailto:sales@buroshade.com)**

**Call: 0333 050 9885**

